



T&S BRASS AND BRONZE WORKS, INC.

2 Saddleback Cove / P.O. Box 1088
Travelers Rest, SC 29690

Model No.

B-0133-ADF08-B

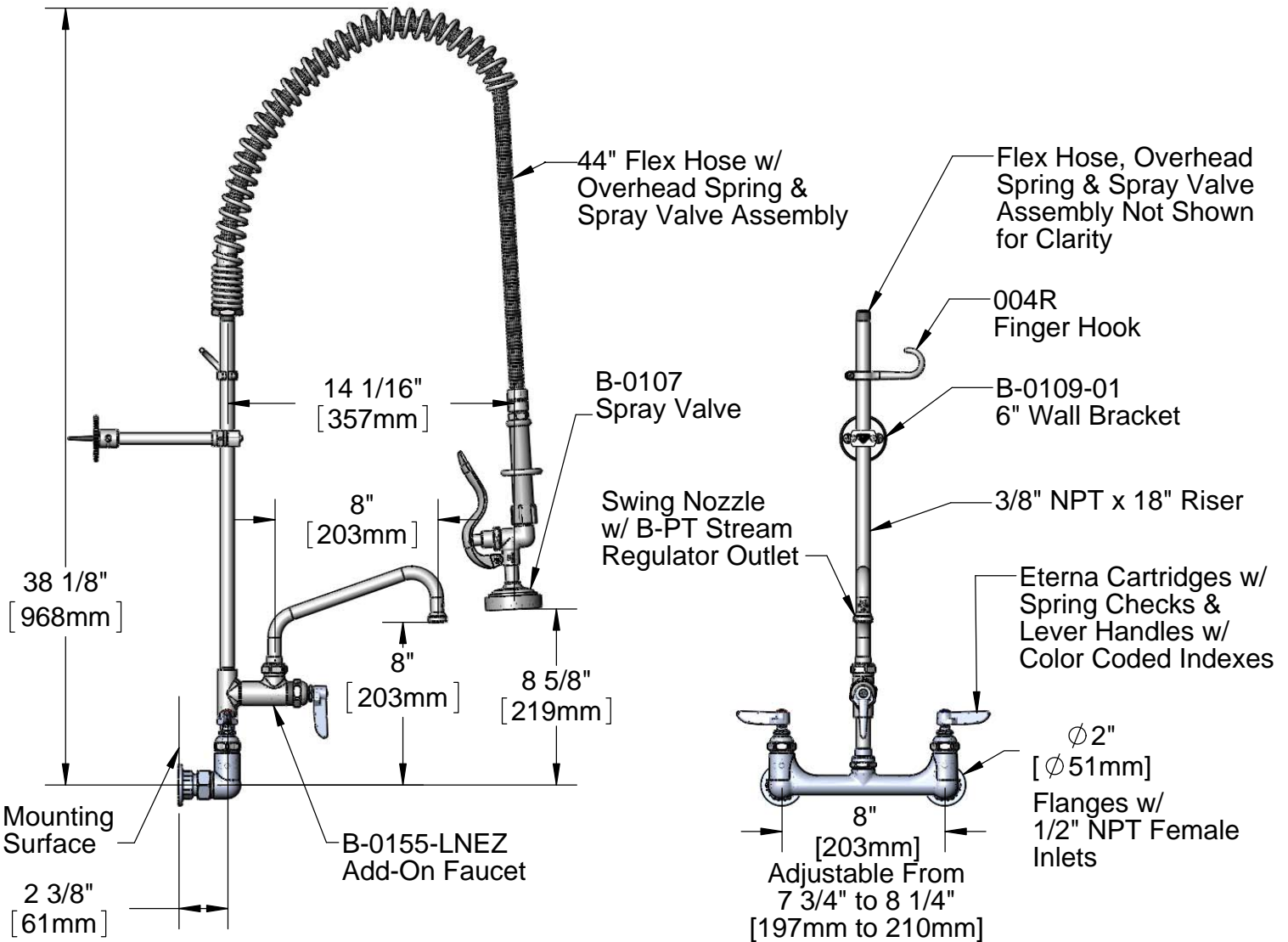
Item No.

Travelers Rest, SC: 800-476-4103 • Simi Valley, CA: 800-423-0150 • Fax: 864-834-3518 • www.tsbrass.com

This Space for Architect/Engineer Approval

Job Name _____ Date _____
Model Specified _____ Quantity _____
Customer/Wholesaler _____
Contractor _____
Architect/Engineer _____

EPAct 2005 Compliant



Product Specifications:
EasyInstall Pre-Rinse Unit:
8" c/c Wall Mount Base Faucet, 1/2" NPT Female Inlets,
18" Riser, Overhead Spring, 44" Flex Hose,
B-0107 Spray Valve & 6" Wall Bracket

Drawn	Checked	Approved
JRM	DMH	JHB
Scale:	Date:	
1:8	11/23/11	



T&S BRASS AND BRONZE WORKS, INC.

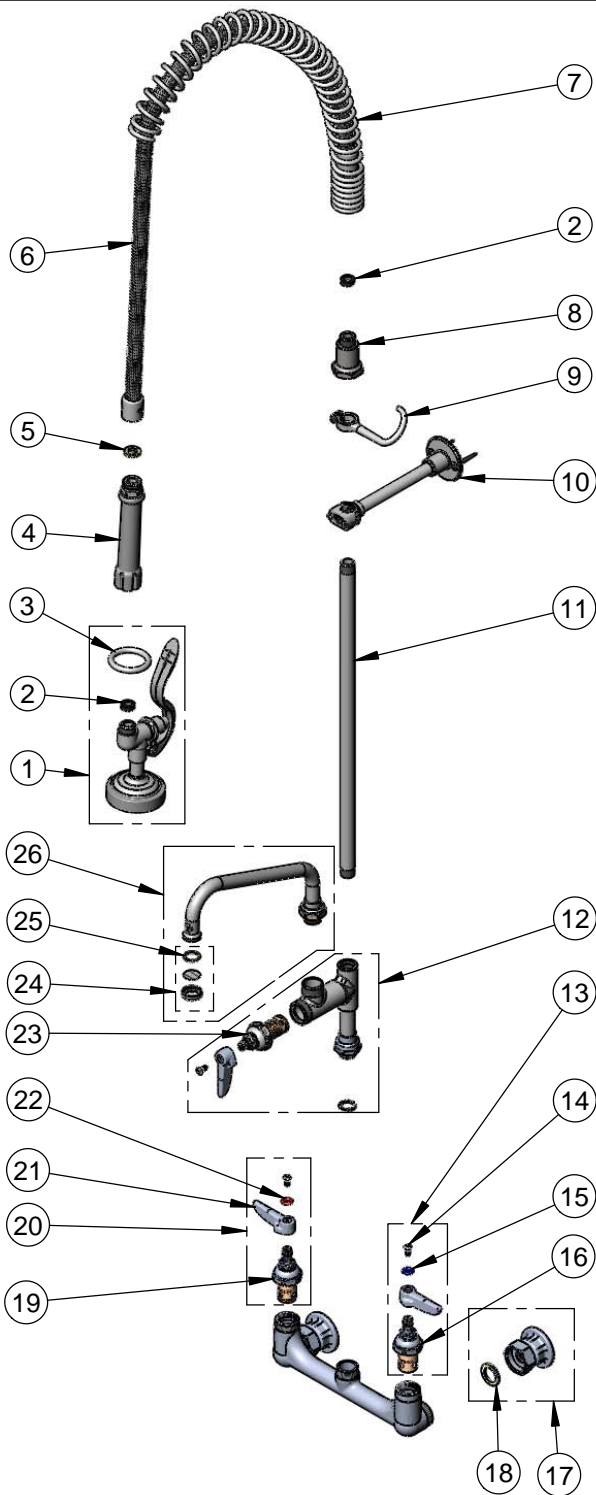
2 Saddleback Cove / P.O. Box 1088
Travelers Rest, SC 29690

Model No.

B-0133-ADF08-B

Item No.

Travelers Rest, SC: 800-476-4103 • Simi Valley, CA: 800-423-0150 • Fax: 864-834-3518 • www.tsbrass.com



ITEM NO.	SALES NO.	DESCRIPTION
1	B-0107	Spray Valve
2	010476-45	#27 Washer
3	000907-45	Hold Down Ring
4	002987-40	Grip Handle Assembly
5	001014-45	Washer, B-0100 Hose Barrel
6	B-0044-H2A	44" Flex Hose Less Handle
7	000888-45	EasyInstall Overhead Spring
8	000821-40	Spring Body
9	004R	Finger Hook Assembly
10	B-0109-01	6" Wall Bracket
11	000369-40	3/8" NPT x 18" Long Riser
12	B-0155-LNEZ	Easy-Install Add-On Faucet
13	002711-40	Eterna Cartridge LTC w/ Spring Check, Handle, Index & Screw
14	000922-45	Lever Handle Screw
15	001660-45	Blue Index-CW
16	012442-40	Eterna Cartridge LTC w/ Spring Check
17	00AA	Flange Assembly
18	001019-45	Coupling Nut Washer
19	012443-40	Eterna Cartridge RTC w/ Spring Check
20	002712-40	Eterna Cartridge RTC w/ Spring Check, Handle, Index & Screw
21	001638-45	Lever Handle
22	001661-45	Red Index-HW
23	007947-40	Add-On 1/4 Turn Cartridge
24	B-PT	Stream Regulator Outlet
25	001048-45	Nozzle Tip Washer
26	060X	Swing Nozzle

Product Specifications:

EasyInstall Pre-Rinse Unit:
8" c/c Wall Mount Base Faucet, 1/2" NPT Female Inlets,
18" Riser, Overhead Spring, 44" Flex Hose,
B-0107 Spray Valve & 6" Wall Bracket

Drawn

JRM

Checked

DMH

Approved

JHB

Scale:

NTS

Date:

11/23/11