



# T&S BRASS AND BRONZE WORKS, INC.

2 Saddleback Cove / P.O. Box 1088  
Travelers Rest, SC 29690

Model No.

**B-0133-B08-SWV**

Item No.

Travelers Rest, SC: 800-476-4103 • Simi Valley, CA: 800-423-0150 • Fax: 864-834-3518 • www.tsbrass.com

## EPAct 2005 Compliant

This Space for Architect/Engineer Approval

Job Name \_\_\_\_\_ Date \_\_\_\_\_

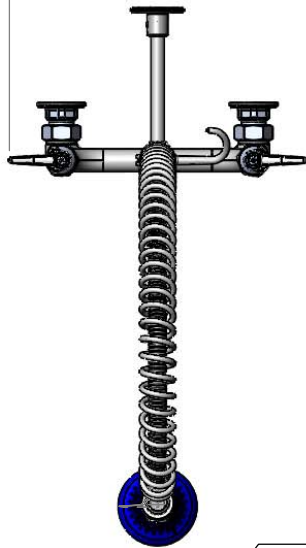
Model Specified \_\_\_\_\_ Quantity \_\_\_\_\_

Customer/Wholesaler \_\_\_\_\_

Contractor \_\_\_\_\_

Architect/Engineer \_\_\_\_\_

12 7/16"  
[315mm]



44" Flexible Stainless Steel Hose w/ Spring & Spray Valve

Items Not Shown For Clarity

Finger Hook

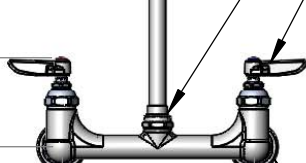
018200-40 Pre-Rinse Swivel

3/8" NPT x 18" Riser

EasyInstall Lock Nut & Bushing

Eterna Cartridges w/ Spring Check & Lever Handles w/ Color Coded Indexes

3 11/16"  
[94mm]

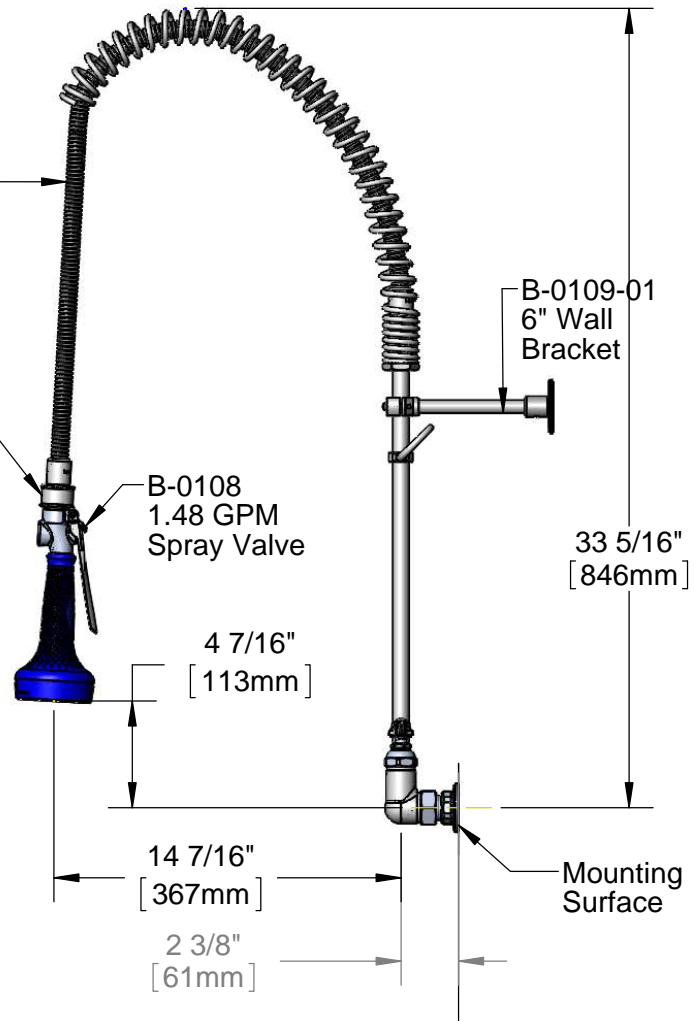


8"  
[203mm]

Adjustable From 7 3/4" to 8 1/4"  
[197mm to 210mm]

Ø2"  
[51mm]

Flanges w/ 1/2" NPT Female Inlets



B-0109-01  
6" Wall Bracket

B-0108  
1.48 GPM  
Spray Valve

4 7/16"  
[113mm]

33 5/16"  
[846mm]

14 7/16"  
[367mm]

2 3/8"  
[61mm]

Mounting Surface

### Product Specifications:

Pre-Rinse Unit: EasyInstall 8" Wall Mount Mixing Faucet, Eterna Cartridges w/ Spring Checks, Lever Handles, 44" Flexible Stainless Steel Hose, 1.48 GPM Spray Valve, 6" Wall Bracket, 1/2" NPT Female Inlets & Pre-Rinse Swivel

Drawn

JRM

Checked

DMH

Approved

JHB

Scale:

1:8

Date:

12/17/13



# T&S BRASS AND BRONZE WORKS, INC.

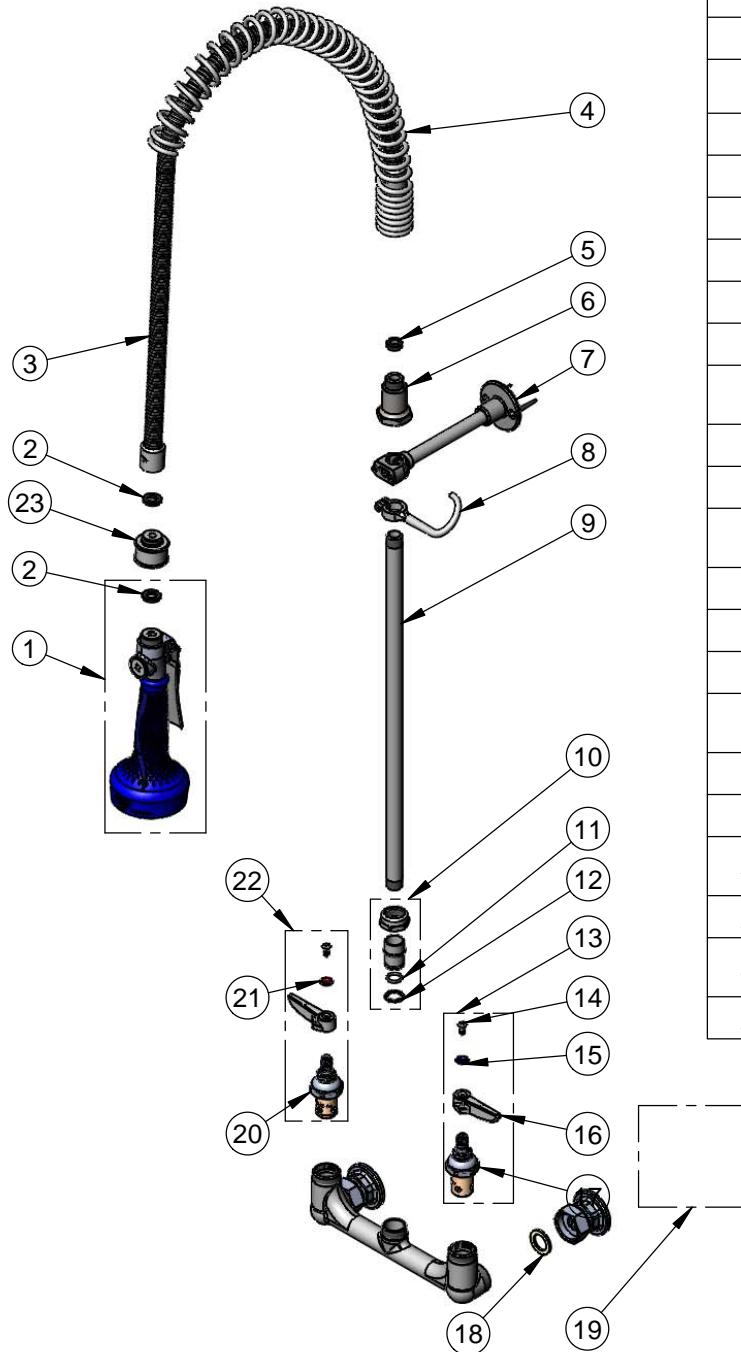
2 Saddleback Cove / P.O. Box 1088  
Travelers Rest, SC 29690

Model No.

**B-0133-B08-SWV**

Item No.

Travelers Rest, SC: 800-476-4103 • Simi Valley, CA: 800-423-0150 • Fax: 864-834-3518 • www.tsbrass.com



ITEM NO.	SALES NO.	DESCRIPTION
1	B-0108	1.48 GPM Spray Valve w/ Ergo-Grip
2	001014-45	Washer, B-0100 Hose Barrel
3	B-0044-H2A	44" Flexible Stainless Steel Hose, Less Handle
4	000888-45	EasyInstall Overhead Spring
5	010476-45	#27 Washer
6	000821-40	Spring Body
7	B-0109-01	6" Wall Bracket
8	004R	Finger Hook
9	000369-40	3/8" NPT x 18" Long Riser
10	EZ-K	EasyInstall Kit: Nut, Bushing, O-ring & Lock Washer
11	001065-45	O-Ring
12	014200-45	Star Washer, Anti-Rotation
13	002711-40	Eterna Cartridge, LTC w/ Spring Check, Handle, Index & Screw
14	000922-45	Lever Handle Screw
15	001660-45	Blue Index-CW
16	001638-45	Lever Handle
17	012442-40	Eterna Cartridge, LTC w/ Spring Check
18	001019-45	Coupling Nut Washer
19	00AA	1/2" NPT Female Eccentric Flange
20	012443-40	Eterna Cartridge, RTC w/ Spring Check
21	001661-45	Red Index-HW
22	002712-40	Eterna Cartridge, RTC w/ Spring Check, Handle, Index & Screw
23	018200-40	Pre-Rinse Swivel

**Product Specifications:**

Pre-Rinse Unit: EasyInstall 8" Wall Mount Mixing Faucet, Eterna Cartridges w/ Spring Checks, Lever Handles, 44" Flexible Stainless Steel Hose, 1.48 GPM Spray Valve, 6" Wall Bracket, 1/2" NPT Female Inlets & Pre-Rinse Swivel

Drawn

JRM

Checked

DMH

Approved

JHB

Scale:

NTS

Date:

12/17/13