



**T&S BRASS AND BRONZE WORKS, INC.**  
 2 Saddleback Cove / P.O. Box 1088  
 Travelers Rest, SC 29690

Model No.  
**B-0133-B9**

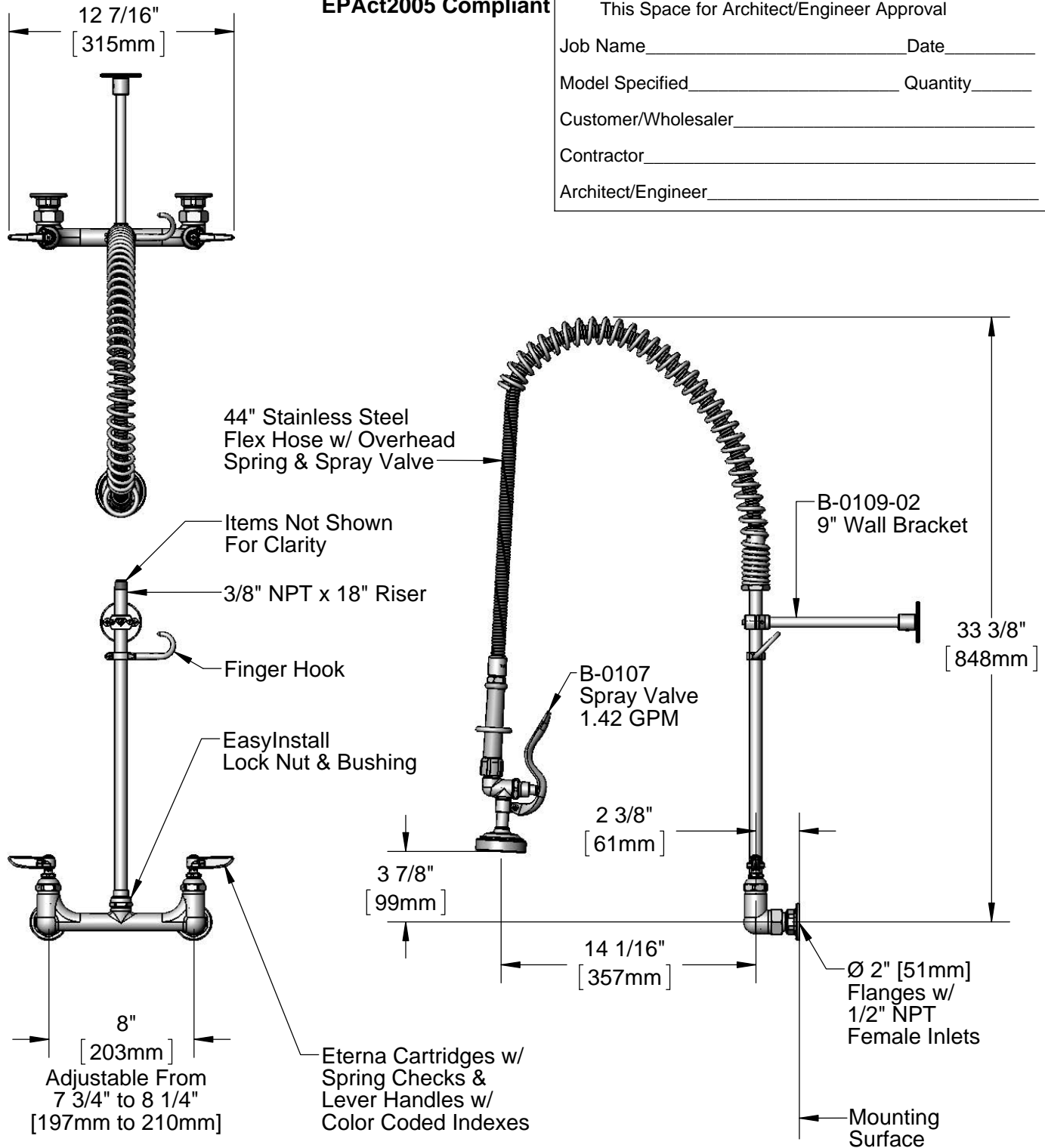
Item No.

Travelers Rest, SC: 800-476-4103 • Simi Valley, CA: 800-423-0150 • Fax: 864-834-3518 • www.tsbrass.com

**EPA Act 2005 Compliant**

This Space for Architect/Engineer Approval

Job Name \_\_\_\_\_ Date \_\_\_\_\_  
 Model Specified \_\_\_\_\_ Quantity \_\_\_\_\_  
 Customer/Wholesaler \_\_\_\_\_  
 Contractor \_\_\_\_\_  
 Architect/Engineer \_\_\_\_\_



Product Specifications:  
 Pre-Rinse Unit: EasyInstall 8" Wall Mount Mixing Faucet, Eterna Cartridges w/ Spring Checks, 44" Stainless Steel Flex Hose w/ 1.42 GPM Spray Valve, 9" Wall Bracket & 1/2" NPT Female Inlets

|                      |                       |                          |
|----------------------|-----------------------|--------------------------|
| Drawn<br><b>DHL</b>  | Checked<br><b>DMH</b> | Approved<br><b>JHB</b>   |
| Scale:<br><b>1:8</b> |                       | Date:<br><b>09/27/12</b> |



# T&S BRASS AND BRONZE WORKS, INC.

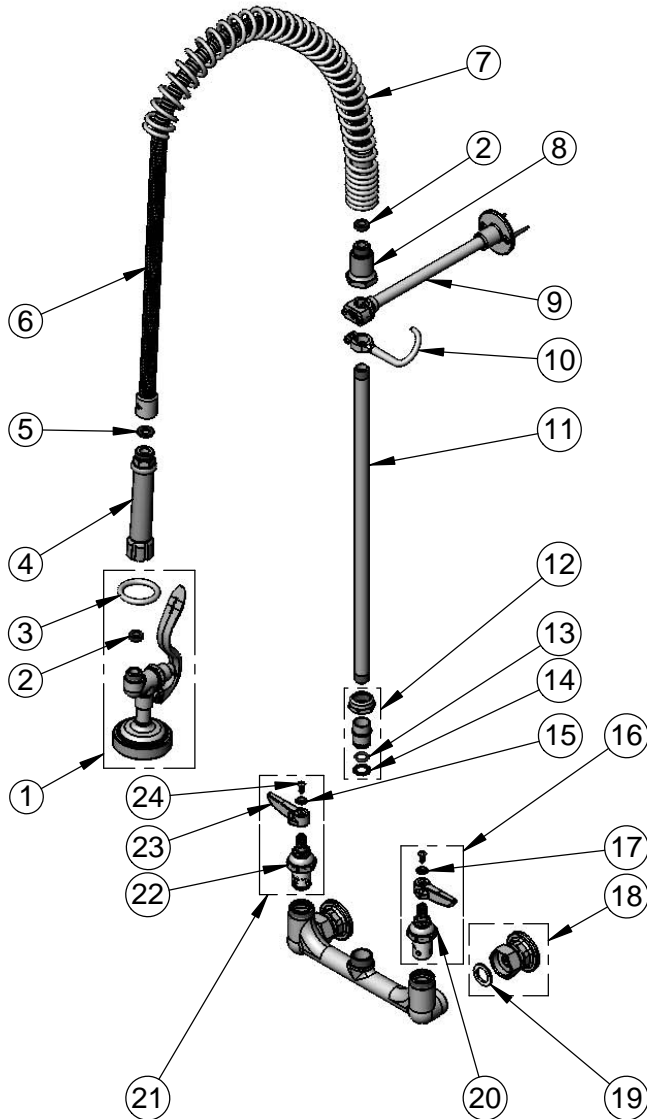
2 Saddleback Cove / P.O. Box 1088  
Travelers Rest, SC 29690

Model No.

**B-0133-B9**

Item No.

Travelers Rest, SC: 800-476-4103 • Simi Valley, CA: 800-423-0150 • Fax: 864-834-3518 • www.tsbrass.com



| ITEM NO. | SALES NO.  | DESCRIPTION                                                        |
|----------|------------|--------------------------------------------------------------------|
| 1        | B-0107     | Gray Spray Valve                                                   |
| 2        | 010476-45  | #27 Washer                                                         |
| 3        | 000907-45  | Spray Valve Hold Down Ring                                         |
| 4        | 002987-40  | Gray Grip Handle                                                   |
| 5        | 001014-45  | Washer, B-0100 Hose Barrel                                         |
| 6        | B-0044-H2A | 44" Stainless Steel Flex Hose, Less Handle                         |
| 7        | 000888-45  | EasyInstall Overhead Spring                                        |
| 8        | 000821-40  | Spring Body                                                        |
| 9        | B-0109-02  | 9" Wall Bracket                                                    |
| 10       | 004R       | Finger Hook                                                        |
| 11       | 000369-40  | 3/8" NPT x 18" Riser                                               |
| 12       | EZ-K       | EasyInstall Installation Kit                                       |
| 13       | 001065-45  | O-Ring                                                             |
| 14       | 014200-45  | Star Washer, Anti-Rotation                                         |
| 15       | 001661-45  | Red Index-HW                                                       |
| 16       | 002711-40  | Eterna Cartridge, LTC w/ Spring Check, Lever Handle, Index & Screw |
| 17       | 001660-45  | Blue Index-CW                                                      |
| 18       | 00AA       | Flange Assembly                                                    |
| 19       | 001019-45  | Coupling Nut Washer                                                |
| 20       | 012442-40  | Eterna Cartridge, LTC w/ Spring Check                              |
| 21       | 002712-40  | Eterna Cartridge, RTC w/ Spring Check, Lever Handle, Index & Screw |
| 22       | 012443-40  | Eterna Cartridge, RTC w/ Spring Check                              |
| 23       | 001638-45  | Lever Handle                                                       |
| 24       | 000922-45  | Lever Handle Screw                                                 |

**Product Specifications:**

Pre-Rinse Unit: EasyInstall 8" Wall Mount Mixing Faucet, Eterna Cartridges w/ Spring Checks, 44" Stainless Steel Flex Hose w/ 1.42 GPM Spray Valve, 9" Wall Bracket & 1/2" NPT Female Inlets

Drawn

**DHL**

Checked

**DMH**

Approved

**JHB**

Scale:

**NTS**

Date:

**09/27/12**