



T&S BRASS AND BRONZE WORKS, INC.

2 Saddleback Cove / P.O. Box 1088
Travelers Rest, SC 29690

Model No.

B-0133-BR

Item No.

Travelers Rest, SC: 800-476-4103 • Simi Valley, CA: 800-423-0150 • Fax: 864-834-3518 • www.tsbrass.com

This Space for Architect/Engineer Approval

Job Name _____ Date _____

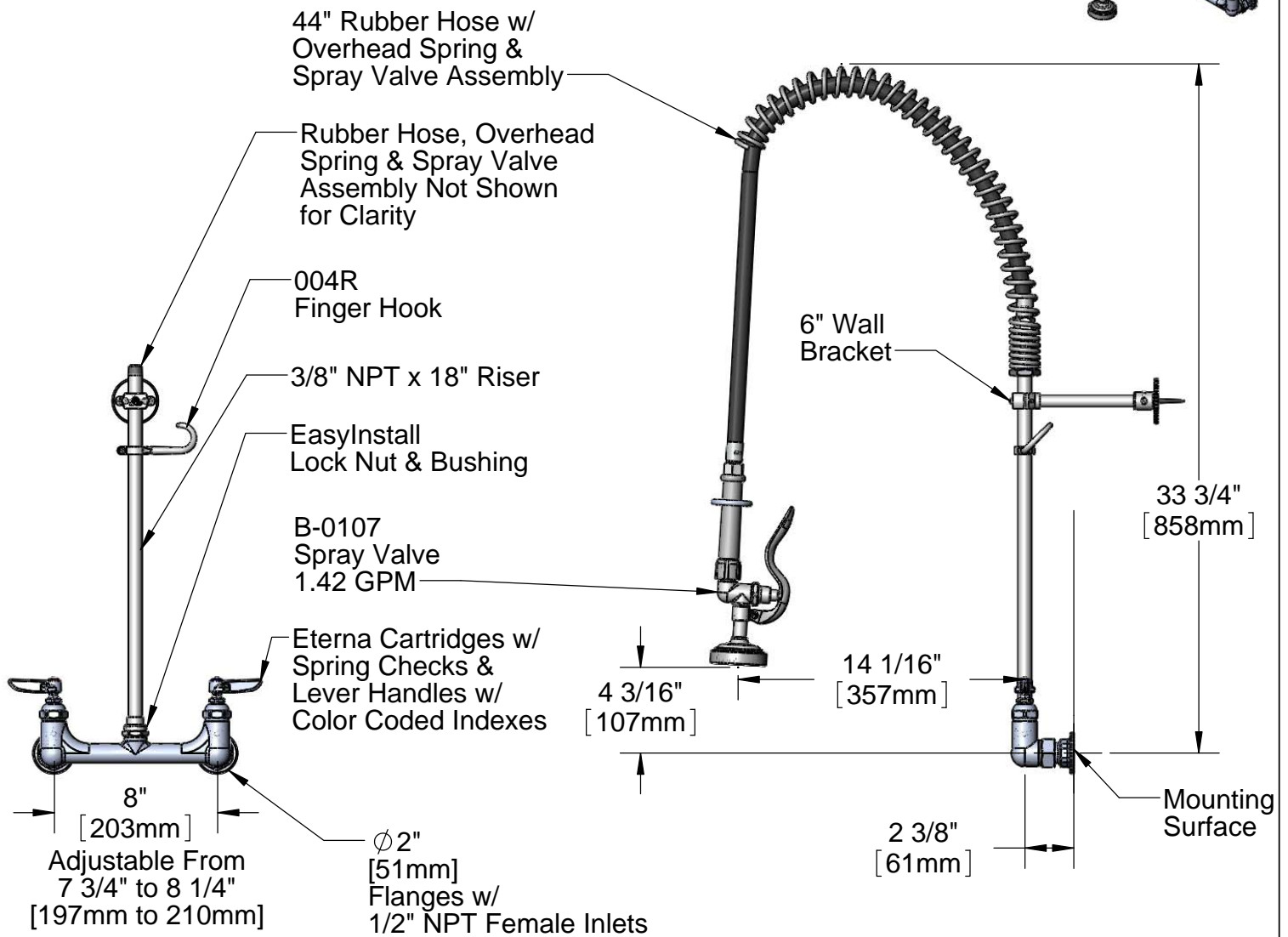
Model Specified _____ Quantity _____

Customer/Wholesaler _____

Contractor _____

Architect/Engineer _____

EPAct 2005 Compliant



Product Specifications:
EasyInstall Pre-Rinse Unit:
8" c/c Wall Mount Mixing Faucet, 1/2" NPT Female Inlets, 6" Wall Bracket, 18" Riser, Overhead Spring, 44" Rubber Hose & B-0107 Spray Valve

Drawn JRM	Checked DMH	Approved JHB
Scale: 1:8		Date: 11/23/11



T&S BRASS AND BRONZE WORKS, INC.

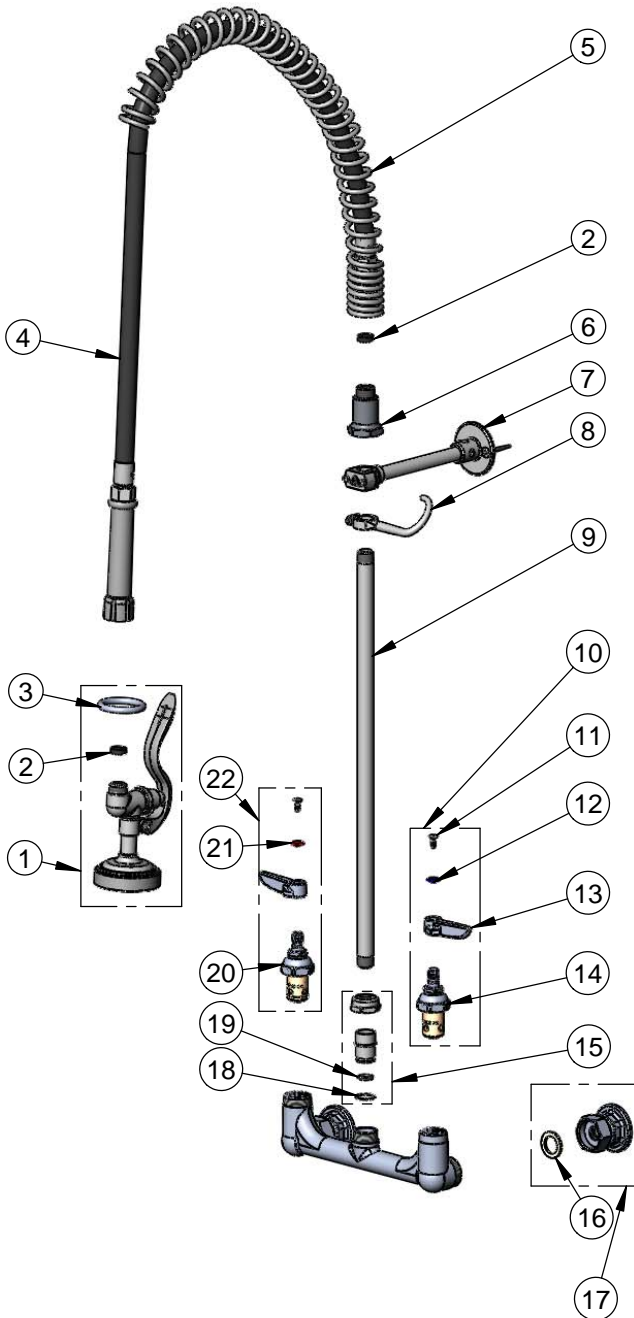
2 Saddleback Cove / P.O. Box 1088
Travelers Rest, SC 29690

Model No.

B-0133-BR

Item No.

Travelers Rest, SC: 800-476-4103 • Simi Valley, CA: 800-423-0150 • Fax: 864-834-3518 • www.tsbrass.com



ITEM NO.	SALES NO.	DESCRIPTION
1	B-0107	Spray Valve Assembly w/ Hold Down Ring & Washer
2	010476-45	#27 Washer
3	000907-45	Spray Valve Hold Down Ring
4	B-0044-R	44" Rubber Hose w/ Handle
5	000888-45	EasyInstall Overhead Spring
6	000821-40	Spring Body
7	B-0109-01	6" Wall Bracket
8	004R	Finger Hook Assembly
9	000369-40	3/8" NPT x 18" Long Riser
10	002711-40	Eterna Cartridge LTC w/ Spring Check, Handle, Index & Screw
11	000922-45	Lever Handle Screw
12	001660-45	Blue Index-CW
13	001638-45	Lever Handle
14	012442-40	Cold Eterna w/ Spring Check
15	EZ-K	EasyInstall Kit: Bushing, O-Ring, Lock Washer & Loctite 222
16	001019-45	Coupling Nut Washer
17	00AA	Flange Assembly
18	014200-45	Star Washer, Anti-Rotation
19	001065-45	O-Ring
20	012443-40	Hot Eterna w/ Spring Check
21	001661-45	Red Index-HW
22	002712-40	Eterna Cartridge RTC w/ Spring Check, Handle, Index & Screw

Product Specifications:

EasyInstall Pre-Rinse Unit:
8" c/c Wall Mount Mixing Faucet, 1/2" NPT Female Inlets, 6" Wall Bracket, 18" Riser, Overhead Spring, 44" Rubber Hose & B-0107 Spray Valve

Drawn

JRM

Checked

DMH

Approved

JHB

Scale:

NTS

Date:

11/23/11