



T&S BRASS AND BRONZE WORKS, INC.

2 Saddleback Cove / P.O. Box 1088
Travelers Rest, SC 29690

Model No.

B-0133-CCB

Item No.

Travelers Rest, SC: 800-476-4103 • Simi Valley, CA: 800-423-0150 • Fax: 864-834-3518 • www.tsbrass.com

EPAct 2005 Compliant

This Space for Architect/Engineer Approval

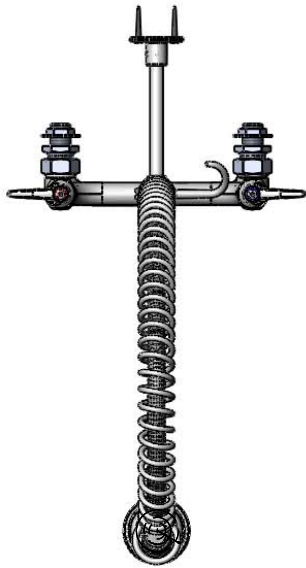
Job Name _____ Date _____

Model Specified _____ Quantity _____

Customer/Wholesaler _____

Contractor _____

Architect/Engineer _____



44" Flex Hose w/
Overhead Spring &
Spray Valve Assembly

Flex Hose, Overhead
Spring & Spray Valve
Assembly Not Shown
for Clarity

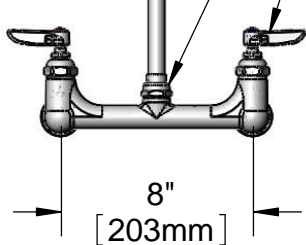
004R
Finger Hook

3/8" NPT x 18" Riser

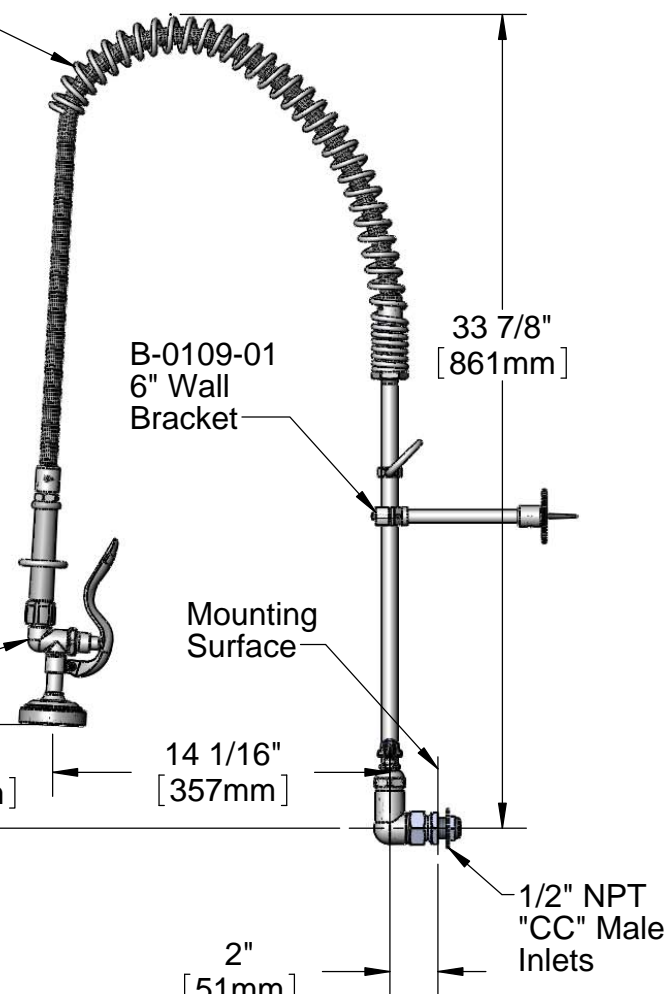
EasyInstall
Lock Nut & Bushing

Eterna Cartridges w/
Spring Checks & Lever
Handles w/ Color Coded
Indexes

B-0107
Spray Valve
1.42 GPM



8"
[203mm]



B-0109-01
6" Wall
Bracket

Mounting
Surface

33 7/8"
[861mm]

4 5/16"
[110mm]

14 1/16"
[357mm]

2"
[51mm]

1/2" NPT
"CC" Male
Inlets

Product Specifications:

EasyInstall Pre-Rinse Unit:
8" c/c Wall Mount Mixing Faucet, 1/2" NPT "CC" Male Inlets,
18" Riser, Overhead Spring, 44" Flex Hose, B-0107 Spray Valve
& 6" Wall Bracket

Drawn

JRM

Checked

DMH

Approved

JHB

Scale:

1:8

Date:

03/27/12



T&S BRASS AND BRONZE WORKS, INC.

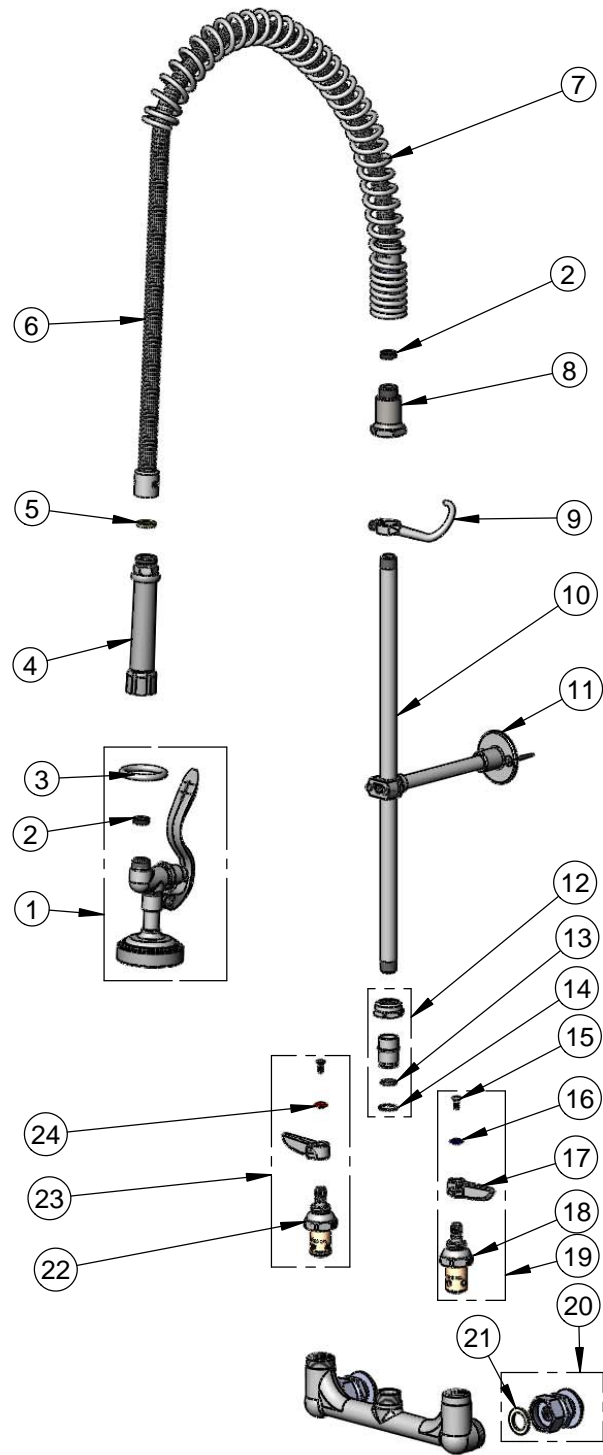
2 Saddleback Cove / P.O. Box 1088
Travelers Rest, SC 29690

Model No.

B-0133-CCB

Item No.

Travelers Rest, SC: 800-476-4103 • Simi Valley, CA: 800-423-0150 • Fax: 864-834-3518 • www.tsbrass.com



| ITEM NO. | SALES NO. | DESCRIPTION |
|----------|------------|---|
| 1 | B-0107 | Spray Valve Assembly w/ Hold Down Ring & Washer |
| 2 | 010476-45 | #27 Washer |
| 3 | 000907-45 | Spray Valve Hold Down Ring |
| 4 | 002987-40 | Handle Grip Assembly |
| 5 | 001014-45 | Washer, B-0100 Hose Barrel |
| 6 | B-0044-H2A | SS Flex Hose |
| 7 | 000888-45 | EasyInstall Overhead Spring |
| 8 | 000821-40 | Spring Body |
| 9 | 004R | Finger Hook Assembly |
| 10 | 000369-40 | 3/8" NPT x 18" Long Riser |
| 11 | B-0109-01 | 6" Wall Bracket |
| 12 | EZ-K | EasyInstall Kit: Bushing, O-Ring, Lock Washer & Loctite 222 |
| 13 | 001065-45 | O-Ring |
| 14 | 014200-45 | Star Washer, Anti-Rotation |
| 15 | 000922-45 | Lever Handle Screw |
| 16 | 001660-45 | Blue Index-CW |
| 17 | 001638-45 | Lever Handle |
| 18 | 012442-40 | Eterna Cartridge (LTC) w/ Spring Check |
| 19 | 002711-40 | Eterna Cartridge (LTC), w/ Spring Check, Handle, Index, & Screw |
| 20 | 00CC | Flange Assembly |
| 21 | 001019-45 | Coupling Nut Washer |
| 22 | 012443-40 | Eterna Cartridge (RTC) w/ Spring Check |
| 23 | 002712-40 | Eterna Cartridge (RTC) w/ Spring Check, Handle, Index, & Screw |
| 24 | 001661-45 | Red Index-HW |

Product Specifications:

EasyInstall Pre-Rinse Unit:
8" c/c Wall Mount Mixing Faucet, 1/2" NPT "CC" Male Inlets,
18" Riser, Overhead Spring, 44" Flex Hose, B-0107 Spray Valve
& 6" Wall Bracket

Drawn

JRM

Checked

DMH

Approved

JHB

Scale:

NTS

Date:

03/27/12