



T&S BRASS AND BRONZE WORKS, INC.

2 Saddleback Cove / P.O. Box 1088
Travelers Rest, SC 29690

Model No.

B-0133-CR-B

Item No.

Travelers Rest, SC: 800-476-4103 • Simi Valley, CA: 800-423-0150 • Fax: 864-834-3518 • www.tsbrass.com

EPAct2005 COMPLIANT

This Space for Architect/Engineer Approval

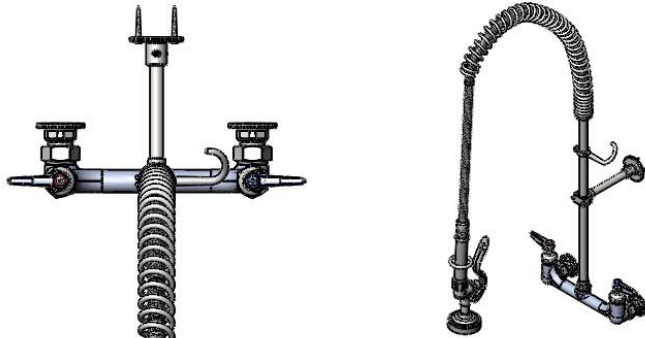
Job Name _____ Date _____

Model Specified _____ Quantity _____

Customer/Wholesaler _____

Contractor _____

Architect/Engineer _____



Spray Valve,
44" Flex Hose
& Spring not
Shown for Clarity

000369-40
3/8" NPT x 18"
Riser

Cerama Cartridges
w/ Check Valves
& Lever Handles
w/ Color Coded
Indexes

B-0044-H
Stainless Steel
Flex Hose w/
Polyurethane
Inner Hose

004R
Finger Hook

EasyInstall
Lock Nut &
Bushing

B-0107
Spray Valve
1.42 GPM

14 1/16"
[357mm]

4 1/16"
[103mm]

33 1/2"
[851mm]

B-0109-01
6" Wall
Support

2 3/8"
[61mm]

8"
[203mm]
Adjustable from
7 3/4" to 8 1/4"
[197mm to 210mm]

Mounting
Surface

Ø 2"
[51mm]
Flanges w/
1/2" NPT
Female
Inlets

Product Specifications:

EasyInstall Pre-Rinse 8" c/c Wall Mount Mixing Faucet, Cerama Cartridges w/ Check Valves, B-0044-H Flex Hose, B-0107 Spray Valve, Lever Handles, 18" Riser & 6" Wall Bracket

Drawn

JRM

Checked

DMH

Approved

JHB

Scale:

1:8

Date:

03/27/12



T&S BRASS AND BRONZE WORKS, INC.

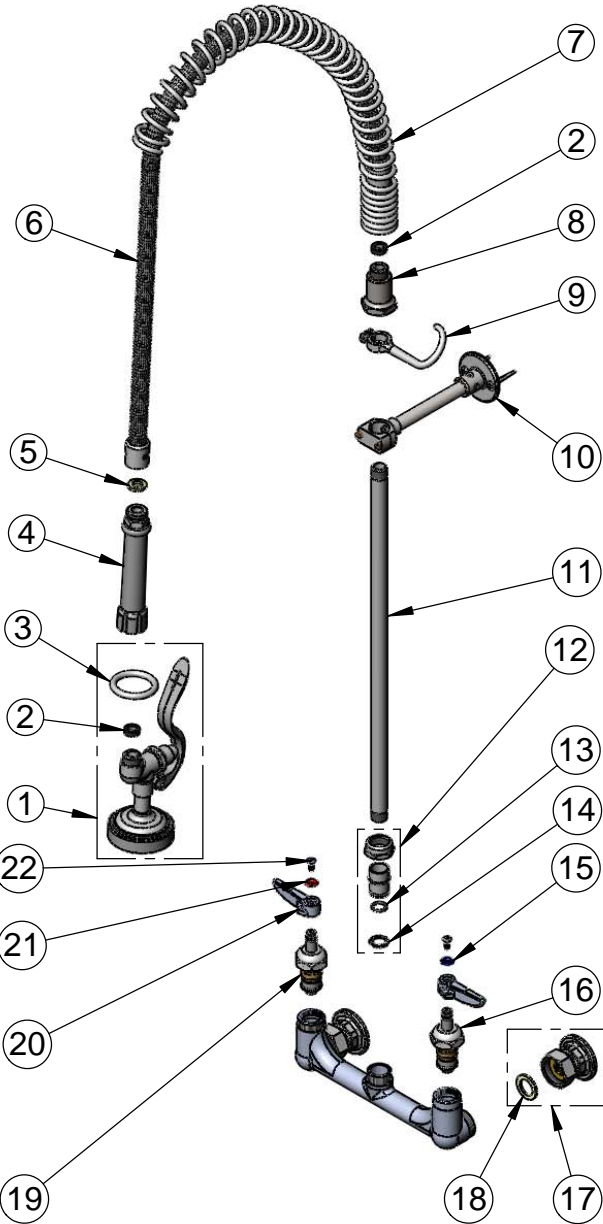
2 Saddleback Cove / P.O. Box 1088
Travelers Rest, SC 29690

Model No.

B-0133-CR-B

Item No.

Travelers Rest, SC: 800-476-4103 • Simi Valley, CA: 800-423-0150 • Fax: 864-834-3518 • www.tsbrass.com



ITEM NO.	SALES NO.	DESCRIPTION
1	B-0107	Spray Valve Assembly w/ Hold Down Ring & Washer
2	010476-45	#27 Washer
3	000907-45	Spray Valve Hold Down Ring
4	002987-40	Grip Handle Assembly
5	001014-45	Washer, B-0100 Hose Barrel
6	B-0044-H2A	SS Flex Hose
7	000888-45	EasyInstall Overhead Spring
8	000821-40	Spring Body
9	004R	Finger Hook Assembly
10	B-0109-01	6" Wall Bracket Assembly
11	000369-40	3/8" NPT x 18" Long Riser
12	EZ-K	EasyInstall Retro Fit Kit, Nut, Bushing, O-Ring & Lock Washer
13	001065-45	O-Ring
14	014200-45	Star Washer, Anti-Rotation
15	001660-45	Blue Index-CW
16	012395-25	Cerama Cartridge (LTC) w/ Check Valve
17	00AA	Coupling Flange Assembly
18	001019-45	Coupling Nut Washer
19	012394-25	Cerama Cartridge (RTC) w/ Check Valve
20	001638-45	Lever Handle
21	001661-45	Red Index-HW
22	000922-45	Lever Handle Screw

Product Specifications:

EasyInstall Pre-Rinse 8" c/c Wall Mount Mixing Faucet, Cerama Cartridges w/ Check Valves, B-0044-H Flex Hose, B-0107 Spray Valve, Lever Handles, 18" Riser & 6" Wall Bracket

Drawn

JRM

Checked

DMH

Approved

JHB

Scale:

NTS

Date:

03/27/12