



**T&S BRASS AND BRONZE WORKS, INC.**

2 Saddleback Cove / P.O. Box 1088  
Travelers Rest, SC 29690



REG. #A2601  
ISO #9001

Model No.

**B-0133-CR-B08CX**

Item No.

Travelers Rest, SC: 800-476-4103 • Simi Valley, CA: 800-423-0150 • Fax: 864-834-3518 • www.tsbrass.com

This Space for Architect/Engineer Approval

Job Name \_\_\_\_\_ Date \_\_\_\_\_

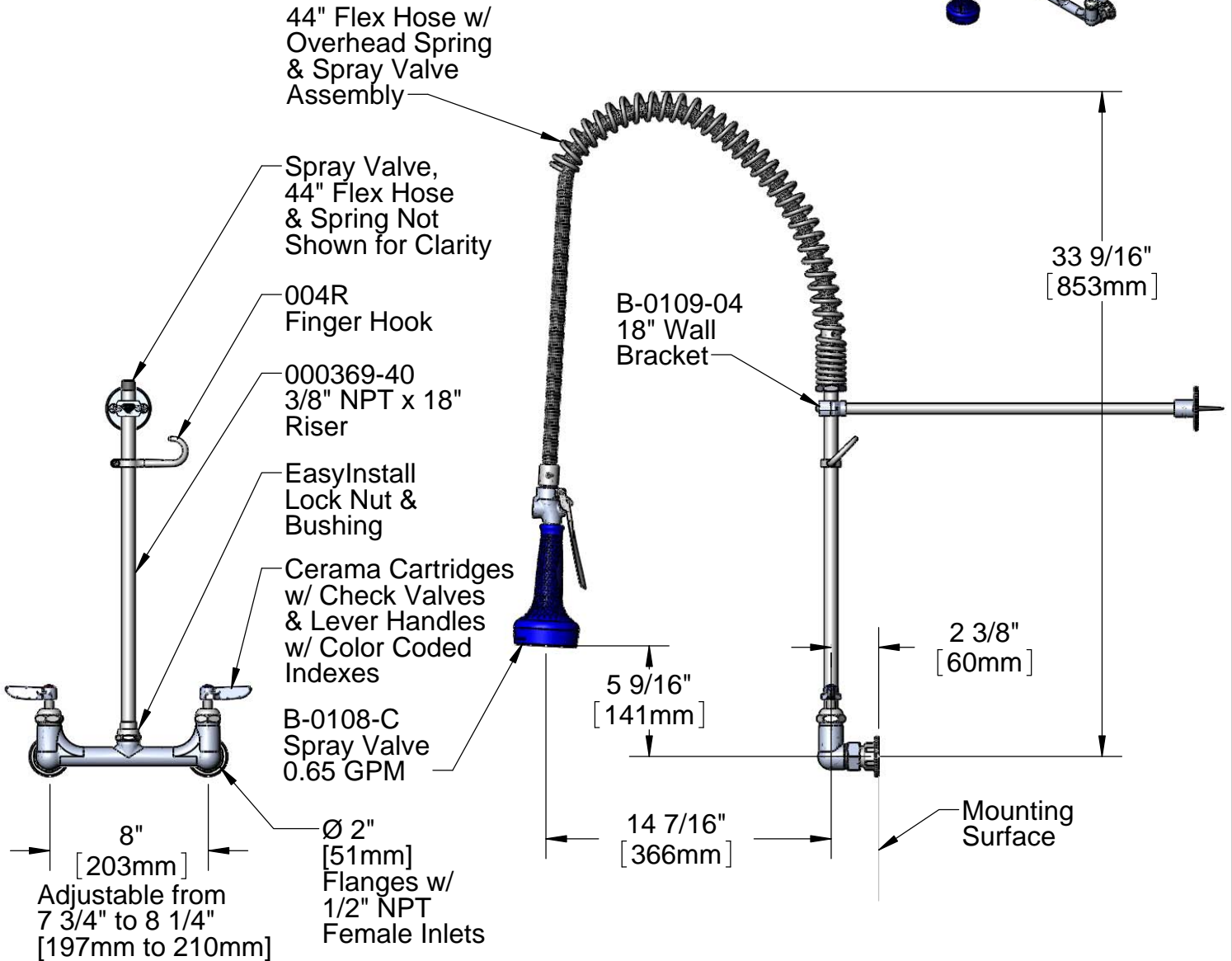
Model Specified \_\_\_\_\_ Quantity \_\_\_\_\_

Customer/Wholesaler \_\_\_\_\_

Contractor \_\_\_\_\_

Architect/Engineer \_\_\_\_\_

**EPAct2005 COMPLIANT**



Product Specifications:  
EasyInstall Pre-Rinse Unit:  
8" c/c Wall Mount Mixing Faucet, Cerama Cartidges w/ Check Valves,  
1/2" NPT Female Inlets, Overhead Spring, 44" Flex Hose, B-0108-C  
Spray Valve, Lever Handles & 18" Wall Bracket

Drawn <b>KJG</b>	Checked <b>DMH</b>	Approved <b>JHB</b>
Scale: <b>1:8</b>	Date: <b>06/02/11</b>	



**T&S BRASS AND BRONZE WORKS, INC.**

2 Saddleback Cove / P.O. Box 1088  
Travelers Rest, SC 29690



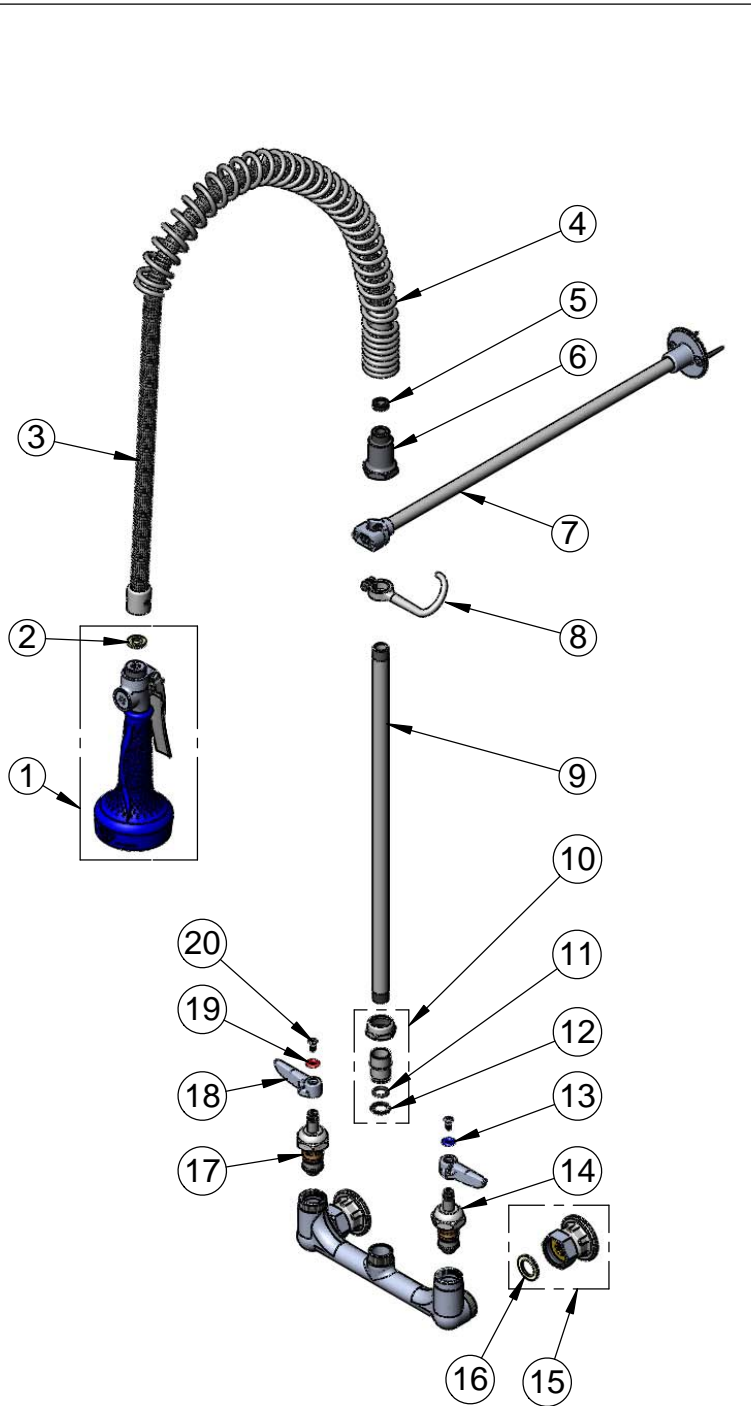
REG. #A2601  
ISO #9001

Model No.

**B-0133-CR-B08CX**

Item No.

Travelers Rest, SC: 800-476-4103 • Simi Valley, CA: 800-423-0150 • Fax: 864-834-3518 • www.tsbrass.com



ITEM NO.	SALES NO.	DESCRIPTION
1	B-0108-C	Spray Valve Assembly w/ Washer
2	001014-45	Washer, B-0100 Hose Barrel
3	B-0044-H2A	44" SS Flex Hose w/o Handle
4	000888-45	EasyInstall Overhead Spring
5	010476-45	#27 Washer
6	000821-40	Spring Body
7	B-0109-04	18" Wall Bracket Assembly
8	004R	Finger Hook Assembly
9	000369-40	3/8" NPT x 18" Long Riser
10	EZ-K	EasyInstall Retro Fit Kit, Nut, Bushing, O-ring & Lock Washer
11	001065-45	O-ring
12	014200-45	Star Washer, Anti-Rotation
13	001660-45	Blue Index-CW
14	012395-25	Cerama Cartridge, LTC w/ Check Valve
15	00AA	Coupling Flange Assembly
16	001019-45	Coupling Nut Washer
17	012394-25	Cerama Cartridge, RTC w/ Check Valve
18	001638-45	Lever Handle
19	001661-45	Red Index-HW
20	000922-45	Lever Handle Screw

Product Specifications:  
EasyInstall Pre-Rinse Unit:  
8" c/c Wall Mount Mixing Faucet, Cerama Cartidges w/ Check Valves,  
1/2" NPT Female Inlets, Overhead Spring, 44" Flex Hose, B-0108-C  
Spray Valve, Lever Handles & 18" Wall Bracket

Drawn <b>KJG</b>	Checked <b>DMH</b>	Approved <b>JHB</b>
Scale: <b>NTS</b>		Date: <b>06/02/11</b>