



T&S BRASS AND BRONZE WORKS, INC.

2 Saddleback Cove / P.O. Box 1088
Travelers Rest, SC 29690

Model No.
B-0133-CR-B8SWX

Item No.

Travelers Rest, SC: 800-476-4103 • Simi Valley, CA: 800-423-0150 • Fax: 864-834-3518 • www.tsbrass.com

EPAct2005 COMPLIANT

This Space for Architect/Engineer Approval

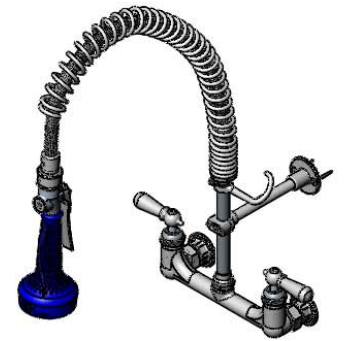
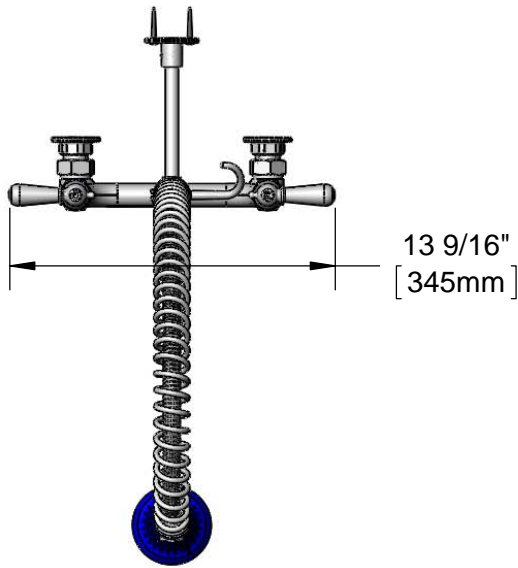
Job Name _____ Date _____

Model Specified _____ Quantity _____

Customer/Wholesaler _____

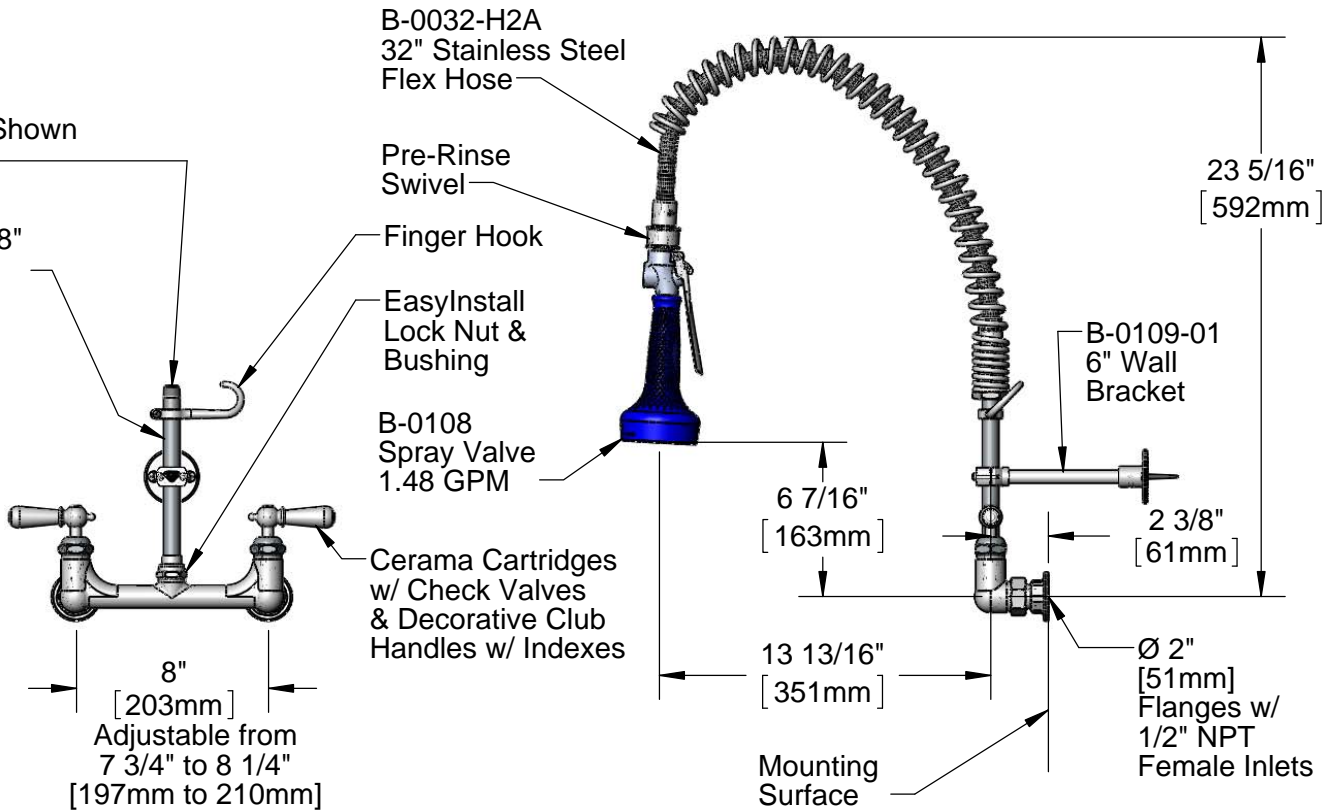
Contractor _____

Architect/Engineer _____



Items Not Shown
for Clarity

3/8" NPT x 8"
Riser



Product Specifications:

EasyInstall Pre-Rinse Unit:
8" Wall Mount Mixing Faucet, Cerama Cartridges w/ Check Valves,
32" Flex Hose, Spray Valve, Swivel, Decorative Club Handles,
8" Riser & 6" Wall Bracket

Drawn

KJG

Checked

JRM

Approved

JHB

Scale:

1:8

Date:

10/25/12



T&S BRASS AND BRONZE WORKS, INC.
 2 Saddleback Cove / P.O. Box 1088
 Travelers Rest, SC 29690

Model No.
B-0133-CR-B8SWX

Item No.

Travelers Rest, SC: 800-476-4103 • Simi Valley, CA: 800-423-0150 • Fax: 864-834-3518 • www.tsbrass.com

ITEM NO.	SALES NO.	DESCRIPTION
1	B-0108	Spray Valve w/ Washer
2	001014-45	Washer, B-0100 Hose Barrel
3	018200-40	Pre-Rinse Swivel w/ Washers
4	B-0032-H2A	32" SS Flex Hose Less Handle
5	000888-45	EasyInstall Overhead Spring
6	010476-45	#27 Washer
7	000821-40	Spring Body
8	004R	Finger Hook
9	B-0109-01	6" Wall Bracket
10	078X	3/8" NPT x 8" Long Riser
11	EZ-K	EasyInstall Kit: Nut, Bushing, O-ring & Lock Washer
12	001065-45	O-ring
13	014200-45	Star Washer, Anti-Rotation
14	009304-41	Decorative Cap Insert, Cold
15	001066-45	O-ring
16	000922-45	Lever Handle Screw
17	009331-41	Decorative Club Handle, Cold
18	00AA	1/2" NPT Female Eccentric Flange
19	001019-45	Coupling Nut Washer
20	012395-25	Cerama Cartridge, LTC w/ Bonnet & Check Valve
21	012394-25	Cerama Cartridge, RTC w/ Bonnet & Check Valve
22	009332-41	Decorative Club Handle, Hot
23	009303-41	Decorative Cap Insert, Hot

Product Specifications:
EasyInstall Pre-Rinse Unit:
 8" Wall Mount Mixing Faucet, Cerama Cartridges w/ Check Valves,
 32" Flex Hose, Spray Valve, Swivel, Decorative Club Handles,
 8" Riser & 6" Wall Bracket

Drawn KJG	Checked JRM	Approved JHB
Scale: NTS		Date: 10/25/12