



T&S BRASS AND BRONZE WORKS, INC.

2 Saddleback Cove / P.O. Box 1088
Travelers Rest, SC 29690

Model No.

B-0133-CR-BVB-A

Item No.

Travelers Rest, SC: 800-476-4103 • Simi Valley, CA: 800-423-0150 • Fax: 864-834-3518 • www.tsbrass.com

This Space for Architect/Engineer Approval

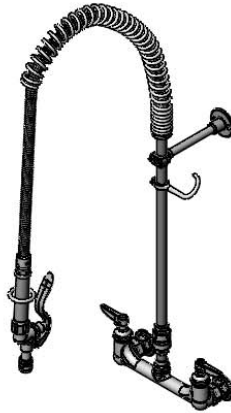
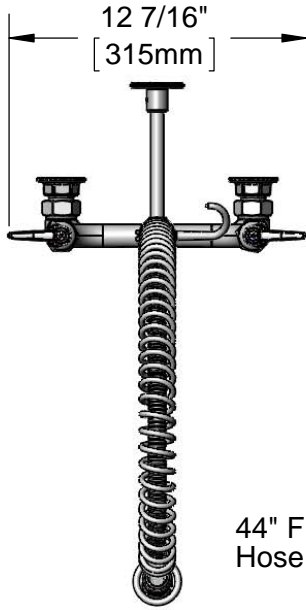
Job Name _____ Date _____

Model Specified _____ Quantity _____

Customer/Wholesaler _____

Contractor _____

Architect/Engineer _____



44" Flexible Stainless Steel
Hose w/ Spring & Spray Valve

Items Not Shown
For Clarity

Finger Hook

B-0107-A
Spray Valve
w/ 2.2 GPM
Aerator

3/8" NPT x 18"
Riser

B-0970-FEZ
Vacuum Breaker

B-0109-01
6" Wall
Bracket

EasyInstall
Lock Nut &
Bushing

3 9/16"
[91mm]

8"
[203mm]
Adjustable From
7 3/4" to 8 1/4"
[197mm to 210mm]

Cerama Cartridges w/
Check Valves &
Lever Handles w/
Color Coded Indexes

7 13/16"
[198mm]

14 1/16"
[356mm]

36 3/4"
[933mm]

2 3/8"
[61mm]

Mounting Surface

Ø2"
[51mm]
Flanges w/
1/2" NPT
Female Inlets

Product Specifications:

Filler Unit: EasyInstall 8" Wall Mount Mixing Faucet, Cerama Cartridges w/ Check Valves, Lever Handles, 44" Flexible Stainless Steel Hose, Spray Valve w/ 2.2 GPM Aerator, Vacuum Breaker, 6" Wall Bracket, & 1/2" NPT Female Inlets

Product Compliance:

ASME A112.18.1 / CSA B125.1
NSF 61 - Section 9
NSF 372 (Low Lead Content)



T&S BRASS AND BRONZE WORKS, INC.

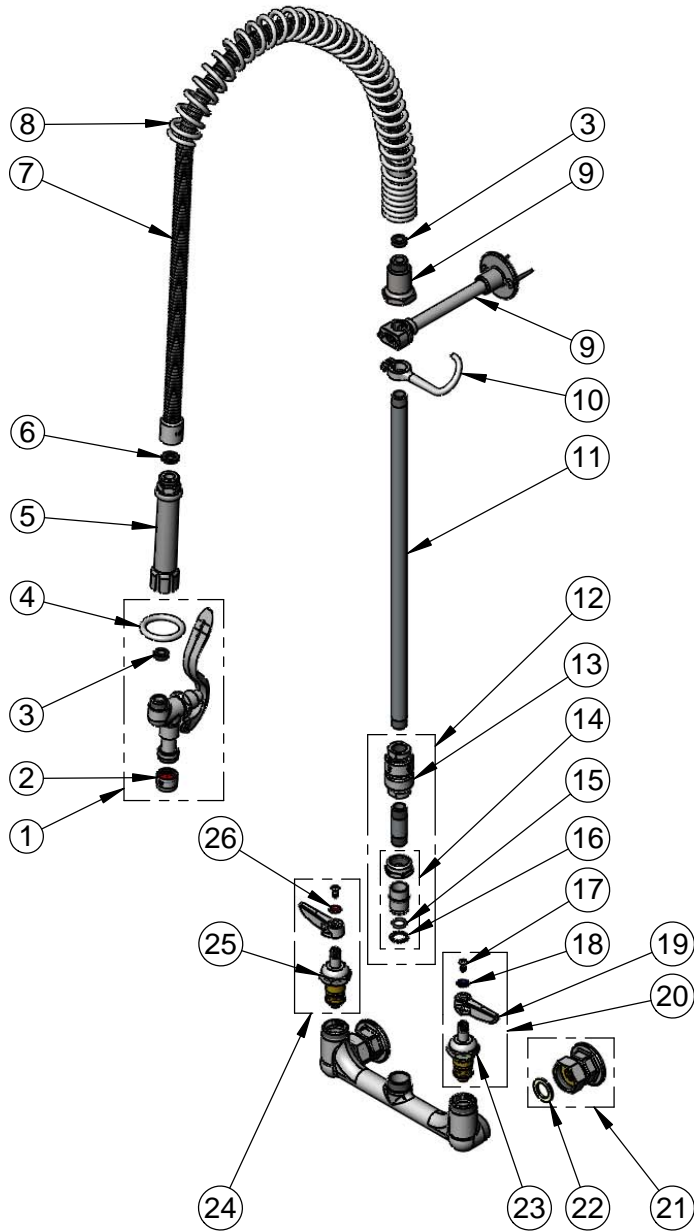
2 Saddleback Cove / P.O. Box 1088
Travelers Rest, SC 29690

Model No.

B-0133-CR-BVB-A

Item No.

Travelers Rest, SC: 800-476-4103 • Simi Valley, CA: 800-423-0150 • Fax: 864-834-3518 • www.tsbrass.com



ITEM NO.	SALES NO.	DESCRIPTION
1	B-0107-A	Spray Valve w/ 2.2 GPM Aerator
2	B-0199-01	2.2 GPM Aerator, 55/64"-27 UN Female
3	010476-45	#27 Washer
4	000907-45	Spray Valve Hold Down Ring
5	002987-40	Grip Handle
6	001014-45	Washer, B-0100 Hose Barrel
7	B-0044-H2A	44" Flexible Stainless Steel Hose, Less Handle
8	000888-45	EasyInstall Overhead Spring
9	000821-40	Spring Body
10	004R	Finger Hook
11	000369-40	3/8" NPT x 18" Riser
12	B-0970-FEZ	EasyInstall Vacuum Breaker
13	B-0970-FE	3/8" NPT Vacuum Breaker
14	EZ-K	EasyInstall Kit: Nut, Bushing, O-Ring & Lock Washer
15	001065-45	O-Ring
16	014200-45	Star Washer, Anti-Rotation
17	000922-45	Lever Handle Screw
18	001660-45	Blue Index-CW
19	001638-45	Lever Handle
20	012447-25	Cerama Cartridge, LTC w/ Check Valve, Handle, Index & Screw
21	00AA	1/2" NPT Female Eccentric Flange
22	001019-45	Coupling Nut Washer
23	012395-25	Cerama Cartridge, LTC w/ Check Valve
24	012446-25	Cerama Cartridge, RTC w/ Check Valve, Handle, Index & Screw
25	012394-25	Cerama Cartridge, RTC w/ Check Valve
26	001661-45	Red Index-HW

Product Specifications:

Filler Unit: EasyInstall 8" Wall Mount Mixing Faucet, Cerama Cartridges w/ Check Valves, Lever Handles, 44" Flexible Stainless Steel Hose, Spray Valve w/ 2.2 GPM Aerator, Vacuum Breaker, 6" Wall Bracket, & 1/2" NPT Female Inlets

Product Compliance:

ASME A112.18.1 / CSA B125.1
NSF 61 - Section 9
NSF 372 (Low Lead Content)