



T&S BRASS AND BRONZE WORKS, INC.

2 Saddleback Cove / P.O. Box 1088
Travelers Rest, SC 29690

Model No.

B-0133-EE-B

Item No.

Travelers Rest, SC: 800-476-4103 • Simi Valley, CA: 800-423-0150 • Fax: 864-834-3518 • www.tsbrass.com

EPAct 2005 Compliant

This Space for Architect/Engineer Approval

Job Name _____ Date _____

Model Specified _____ Quantity _____

Customer/Wholesaler _____

Contractor _____

Architect/Engineer _____



44" Flex Hose w/
Overhead Spring &
Spray Valve Assembly

Flex Hose, Overhead
Spring & Spray Valve
Assembly Not Shown
for Clarity

004R
Finger Hook

3/8" NPT x 18" Riser

EasyInstall
Lock Nut & Bushing

Eterna Cartridges w/
Spring Checks & Lever
Handles w/ Color Coded
Indexes

B-0107
Spray Valve
1.42 GPM

8"
[203mm]

4 5/16"
[110mm]

B-0109-01
6" Wall
Bracket

Mounting
Surface

14 1/16"
[357mm]

33 7/8"
[861mm]

2"
[51mm]

1/2" NPT
"EE" Male
Inlets w/
Flanges

Product Specifications:
EasyInstall Pre-Rinse Unit:
8" c/c Wall Mount Mixing Faucet, 1/2" NPT "EE" Male Inlets,
18" Riser, Overhead Spring, 44" Flex Hose, B-0107 Spray Valve
& 6" Wall Bracket

Drawn
JRM

Checked
DMH

Approved
JHB

Scale:
1:8

Date:
03/27/12



T&S BRASS AND BRONZE WORKS, INC.

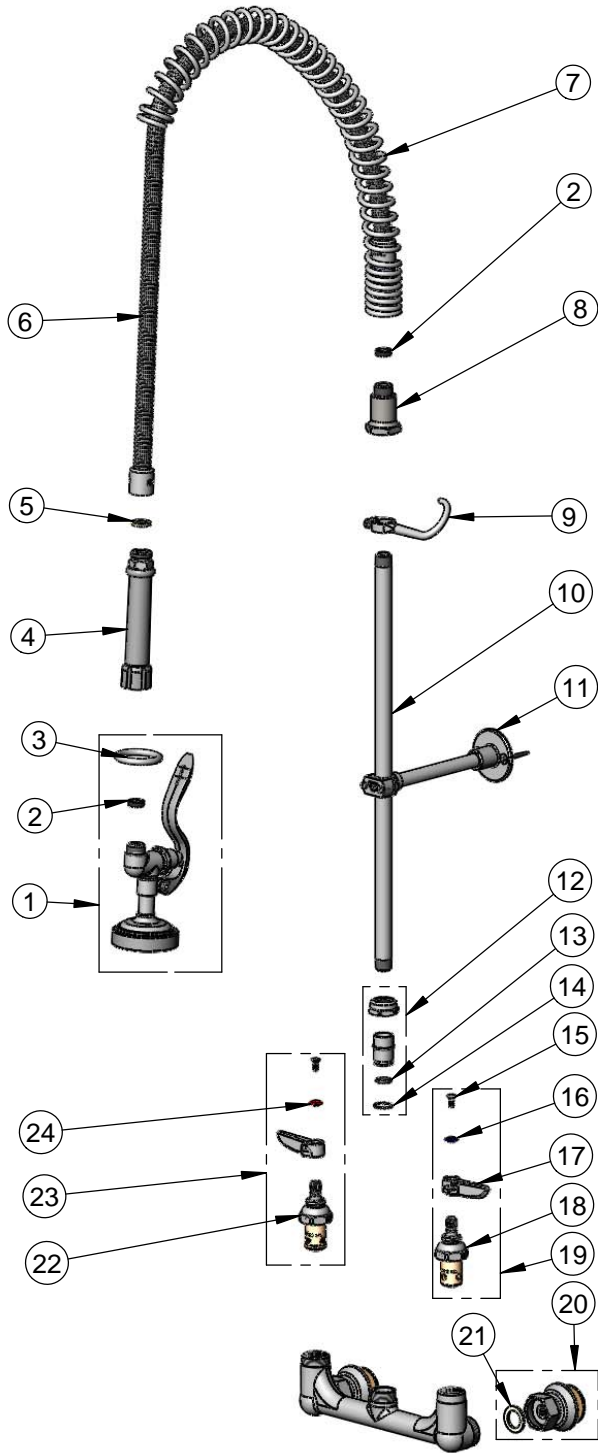
2 Saddleback Cove / P.O. Box 1088
Travelers Rest, SC 29690

Model No.

B-0133-EE-B

Item No.

Travelers Rest, SC: 800-476-4103 • Simi Valley, CA: 800-423-0150 • Fax: 864-834-3518 • www.tsbrass.com



ITEM NO.	SALES NO.	DESCRIPTION
1	B-0107	Spray Valve Assembly w/ Hold Down Ring & Washer
2	010476-45	#27 Washer
3	000907-45	Spray Valve Hold Down Ring
4	002987-40	Handle Grip Assembly
5	001014-45	Washer, B-0100 Hose Barrel
6	B-0044-H2A	SS Flex Hose
7	000888-45	EasyInstall Overhead Spring
8	000821-40	Spring Body
9	004R	Finger Hook Assembly
10	000369-40	3/8" NPT x 18" Long Riser
11	B-0109-01	6" Wall Bracket
12	EZ-K	EasyInstall Kit: Bushing, O-Ring, Lock Washer & Loctite 222
13	001065-45	O-Ring
14	014200-45	Star Washer, Anti-Rotation
15	000922-45	Lever Handle Screw
16	001660-45	Blue Index-CW
17	001638-45	Lever Handle
18	012442-40	Eterna Cartridge (LTC) w/ Spring Check
19	002711-40	Eterna Cartridge (LTC) w/ Spring Check, Handle, Index, & Screw
20	00EE	Flange Assembly
21	001019-45	Coupling Nut Washer
22	012443-40	Eterna Cartridge (RTC) w/ Spring Check
23	002712-40	Eterna Cartridge (RTC) w/ Spring Check, Handle, Index, & Screw
24	001661-45	Red Index-HW

Product Specifications:

EasyInstall Pre-Rinse Unit:
8" c/c Wall Mount Mixing Faucet, 1/2" NPT "EE" Male Inlets,
18" Riser, Overhead Spring, 44" Flex Hose, B-0107 Spray Valve
& 6" Wall Bracket

Drawn

JRM

Checked

DMH

Approved

JHB

Scale:

NTS

Date:

03/27/12