



T&S BRASS AND BRONZE WORKS, INC.
 2 Saddleback Cove / P.O. Box 1088
 Travelers Rest, SC 29690

Model No.
B-0133-SWV

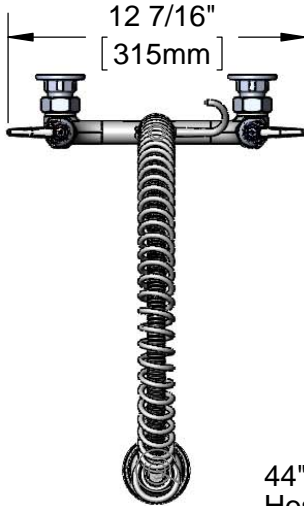
Item No.

Travelers Rest, SC: 800-476-4103 • Simi Valley, CA: 800-423-0150 • Fax: 864-834-3518 • www.tsbrass.com

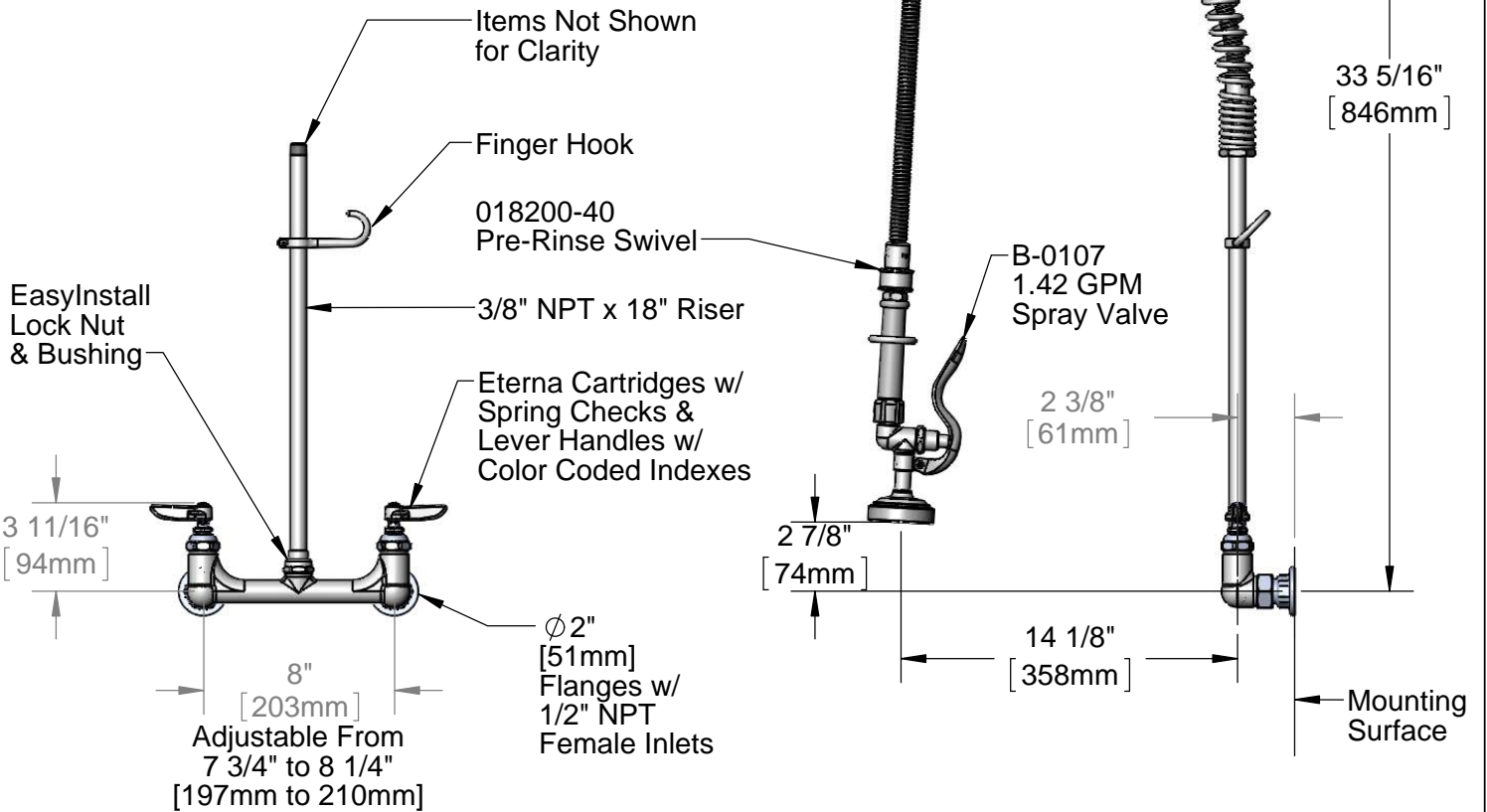
EPAct 2005 Compliant

This Space for Architect/Engineer Approval

Job Name _____ Date _____
 Model Specified _____ Quantity _____
 Customer/Wholesaler _____
 Contractor _____
 Architect/Engineer _____



44" Flexible Stainless Steel Hose w/ Spring & Spray Valve



Product Specifications:
 Pre-Rinse Unit: EasyInstall 8" Wall Mount Mixing Faucet, Eterna Cartridges w/ Spring Checks, Lever Handles, 44" Flexible Stainless Steel Hose, 1.42 GPM Spray Valve, 12" Wall Bracket, 1/2" NPT Female Inlets & Pre-Rinse Swivel

| | | |
|----------------------|-----------------------|--------------------------|
| Drawn JRM | Checked DMH | Approved JHB |
| Scale: 1:8 | | Date: 12/17/13 |



T&S BRASS AND BRONZE WORKS, INC.

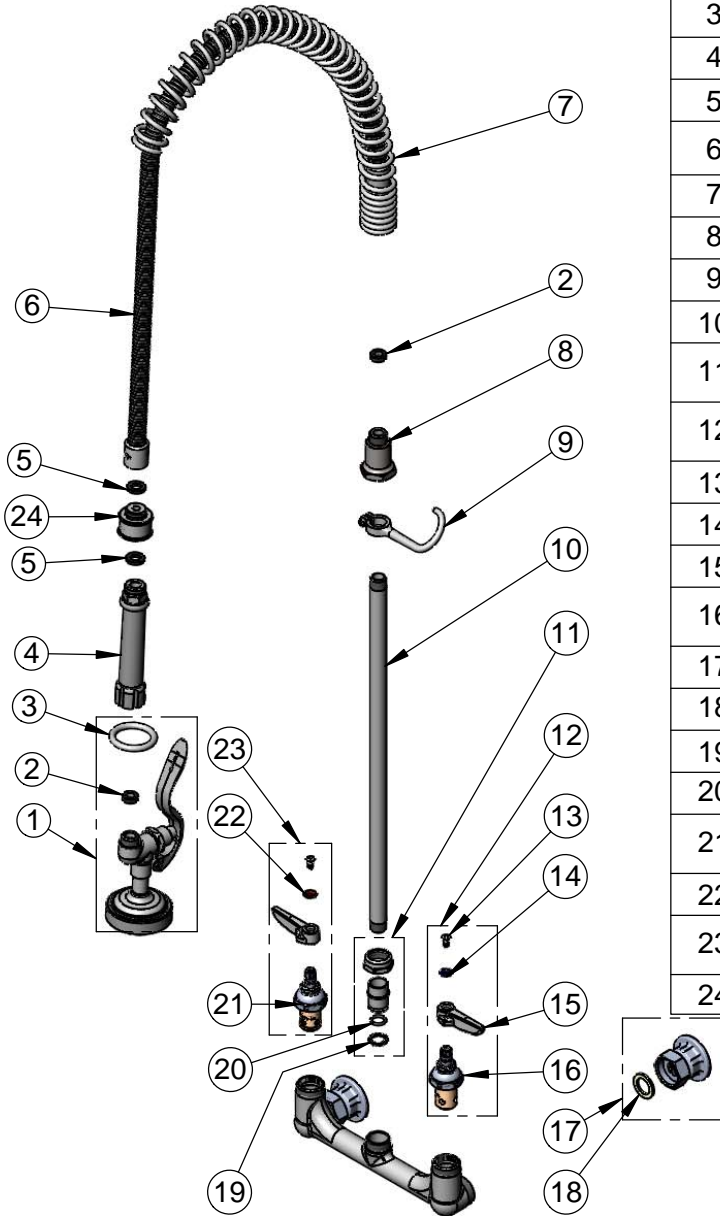
2 Saddleback Cove / P.O. Box 1088
Travelers Rest, SC 29690

Model No.

B-0133-SWV

Item No.

Travelers Rest, SC: 800-476-4103 • Simi Valley, CA: 800-423-0150 • Fax: 864-834-3518 • www.tsbrass.com



| ITEM NO. | SALES NO. | DESCRIPTION |
|----------|------------|--|
| 1 | B-0107 | 1.42 GPM Spray Valve |
| 2 | 010476-45 | #27 Washer |
| 3 | 000907-45 | Spray Valve Hold Down Ring |
| 4 | 002987-40 | Grip Handle |
| 5 | 001014-45 | Washer, B-0100 Hose Barrel |
| 6 | B-0044-H2A | 44" Stainless Steel Flexible Hose, Less Handle |
| 7 | 000888-45 | EasyInstall Overhead Spring |
| 8 | 000821-40 | Spring Body |
| 9 | 004R | Finger Hook |
| 10 | 000369-40 | 3/8" NPT x 18" Riser |
| 11 | EZ-K | EasyInstall Kit: Nut, Bushing, O-ring & Lock Washer |
| 12 | 002711-40 | Eterna Cartridge, LTC w/ Spring Check, Handle, Index & Screw |
| 13 | 000922-45 | Lever Handle Screw |
| 14 | 001660-45 | Blue Index-CW |
| 15 | 001638-45 | Lever Handle |
| 16 | 012442-40 | Eterna Cartridge, LTC w/ Spring Check |
| 17 | 00AA | 1/2" NPT Female Eccentric Flange |
| 18 | 001019-45 | Coupling Nut Washer |
| 19 | 014200-45 | Star Washer, Anti-Rotation |
| 20 | 001065-45 | O-Ring |
| 21 | 012443-40 | Eterna Cartridge, RTC w/ Spring Check |
| 22 | 001661-45 | Red Index-HW |
| 23 | 002712-40 | Eterna Cartridge, RTC w/ Spring Check, Handle, Index & Screw |
| 24 | 018200-40 | Pre-Rinse Swivel |

Product Specifications:

Pre-Rinse Unit: EasyInstall 8" Wall Mount Mixing Faucet, Eterna Cartridges w/ Spring Checks, Lever Handles, 44" Flexible Stainless Steel Hose, 1.42 GPM Spray Valve, 12" Wall Bracket, 1/2" NPT Female Inlets & Pre-Rinse Swivel

| | | |
|--------|---------|----------|
| Drawn | Checked | Approved |
| JRM | DMH | JHB |
| Scale: | | Date: |
| NTS | | 12/17/13 |