



**T&S BRASS AND BRONZE WORKS, INC.**

2 Saddleback Cove / P.O. Box 1088  
Travelers Rest, SC 29690



REG. #A2601  
ISO #9001

Model No.

**B-0133-V-B-68H**

Item No.

Travelers Rest, SC: 800-476-4103 • Simi Valley, CA: 800-423-0150 • Fax: 864-834-3518 • www.tsbrass.com

This Space for Architect/Engineer Approval

Job Name \_\_\_\_\_ Date \_\_\_\_\_

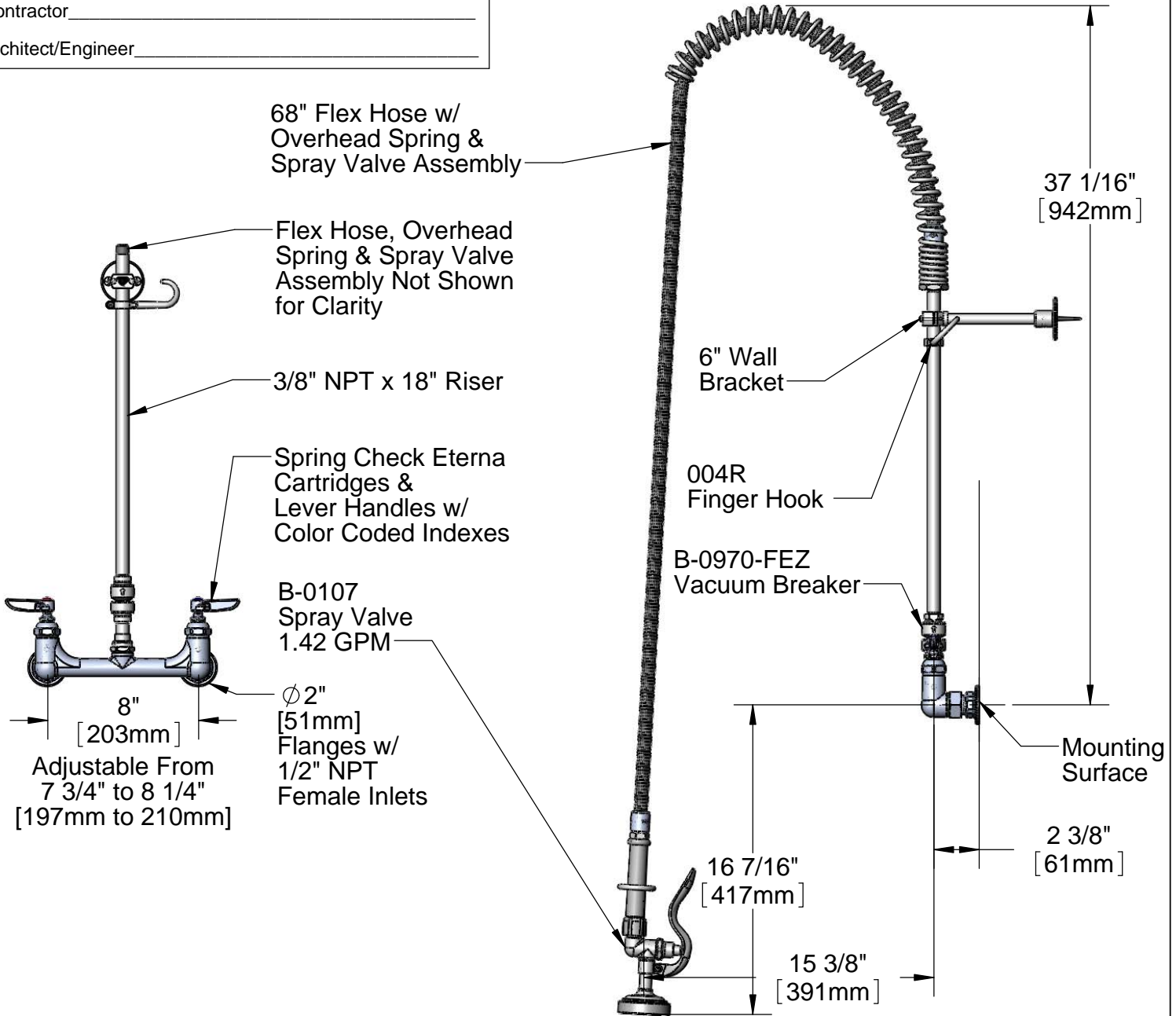
Model Specified \_\_\_\_\_ Quantity \_\_\_\_\_

Customer/Wholesaler \_\_\_\_\_

Contractor \_\_\_\_\_

Architect/Engineer \_\_\_\_\_

**EPAct 2005 Compliant**



Product Specifications:  
EasyInstall Pre-Rinse Unit:  
8" c/c Wall Mount Mixing Faucet, 1/2" NPT Female Inlets, 6" Wall Bracket, 18" Riser, Overhead Spring, 68" Flex Hose, B-0107 Spray Valve & Vacuum Breaker

Drawn <b>JRM</b>	Checked <b>KJG</b>	Approved <b>JHB</b>
Scale: <b>1:8</b>		Date: <b>10/12/11</b>



# T&S BRASS AND BRONZE WORKS, INC.

2 Saddleback Cove / P.O. Box 1088  
Travelers Rest, SC 29690



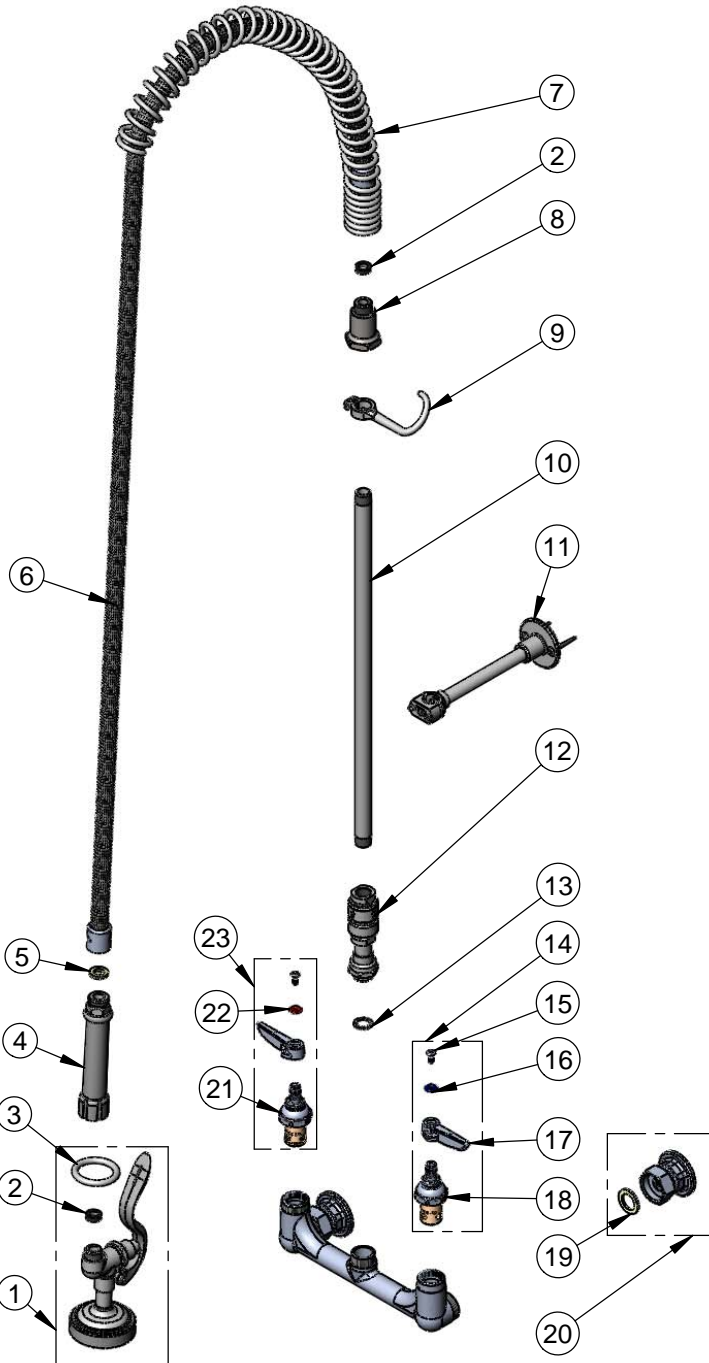
REG. #A2601  
ISO #9001

Model No.

**B-0133-V-B-68H**

Item No.

Travelers Rest, SC: 800-476-4103 • Simi Valley, CA: 800-423-0150 • Fax: 864-834-3518 • www.tsbrass.com



ITEM NO.	SALES NO.	DESCRIPTION
1	B-0107	Spray Valve Assembly w/ Hold Down Ring & Washer
2	010476-45	#27 Washer
3	000907-45	Spray Valve Hold Down Ring
4	002987-40	Grip Handle Assembly
5	001014-45	Washer, B-0100 Hose Barrel
6	B-0068-H2A	68" SS Flex Hose Less Handle
7	000888-45	EasyInstall Overhead Spring
8	000821-40	Spring Body
9	004R	Finger Hook Assembly
10	000369-40	3/8" NPT x 18" Long Riser
11	B-0109-01	6" Wall Bracket
12	B-0970-FEZ	B-0970 FEZ Vacuum Breaker
13	014200-45	Star Washer, Anti-Rotation
14	002711-40	Cold Eterna w/ Spring Check, Handle, Index & Screw
15	000922-45	Lever Handle Screw
16	001660-45	Blue Index-CW
17	001638-45	Lever Handle
18	012442-40	Cold Eterna w/ Spring Check
19	001019-45	Coupling Nut Washer
20	00AA	Flange Assembly
21	012443-40	Hot Eterna w/ Spring Check
22	001661-45	Red Index-HW
23	002712-40	Hot Eterna w/ Spring Check, Handle, Index & Screw

**Product Specifications:**

EasyInstall Pre-Rinse Unit:  
8" c/c Wall Mount Mixing Faucet, 1/2" NPT Female Inlets, 6" Wall Bracket, 18" Riser, Overhead Spring, 68" Flex Hose, B-0107 Spray Valve & Vacuum Breaker

Drawn

JRM

Checked

KJG

Approved

JHB

Scale:

NTS

Date:

10/12/11