



T&S BRASS AND BRONZE WORKS, INC.

2 Saddleback Cove / P.O. Box 1088
Travelers Rest, SC 29690



REG. #A2601
ISO #9001

Model No.

B-0155-064X

Item No.

Travelers Rest, SC: 800-476-4103 Simi Valley, CA: 800-423-0150 Fax: 864-834-3518 www.tsbrass.com

This Space for Architect/Engineer Approval

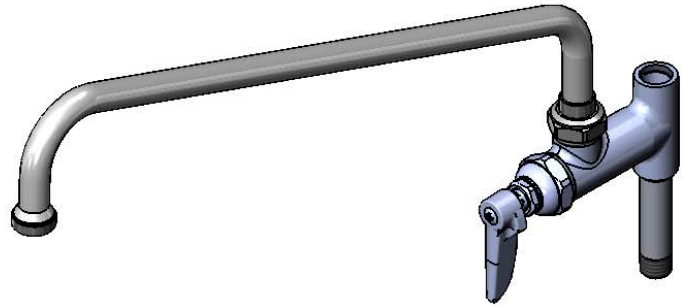
Job Name _____ Date _____

Model Specified _____ Quantity _____

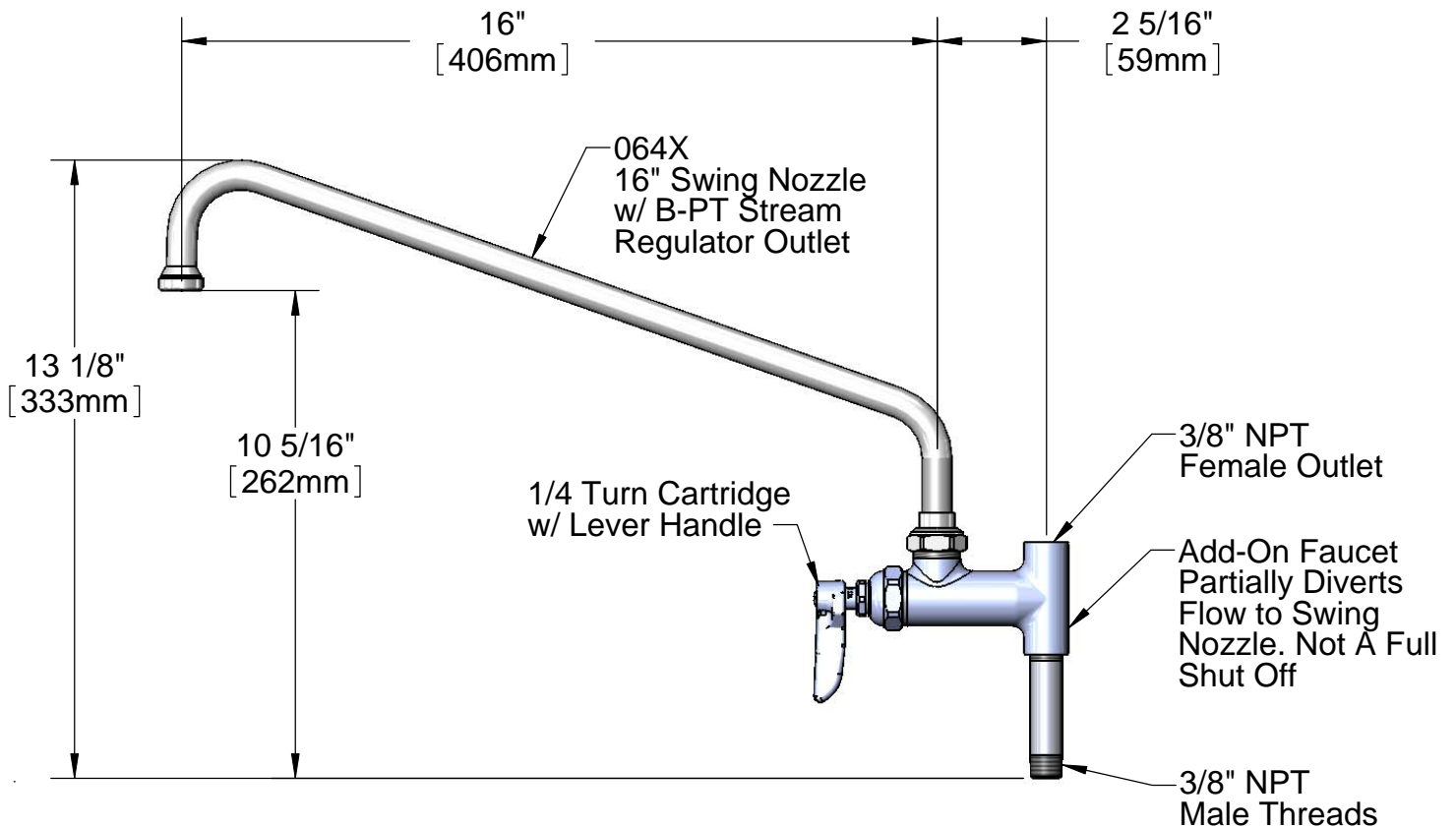
Customer/Wholesaler _____

Contractor _____

Architect/Engineer _____



ADA Compliant



Product Specifications:

Add-On Faucet w/ 1/4 Turn Cartridge, 16" Swing Nozzle, B-PT Stream Regulator Outlet & Lever Handle

Drawn	Checked	Approved
KJG	DMH	JHB
Scale:		Date:
1:4		10/28/10



T&S BRASS AND BRONZE WORKS, INC.

2 Saddleback Cove / P.O. Box 1088
Travelers Rest, SC 29690



REG. #A2601
ISO #9001

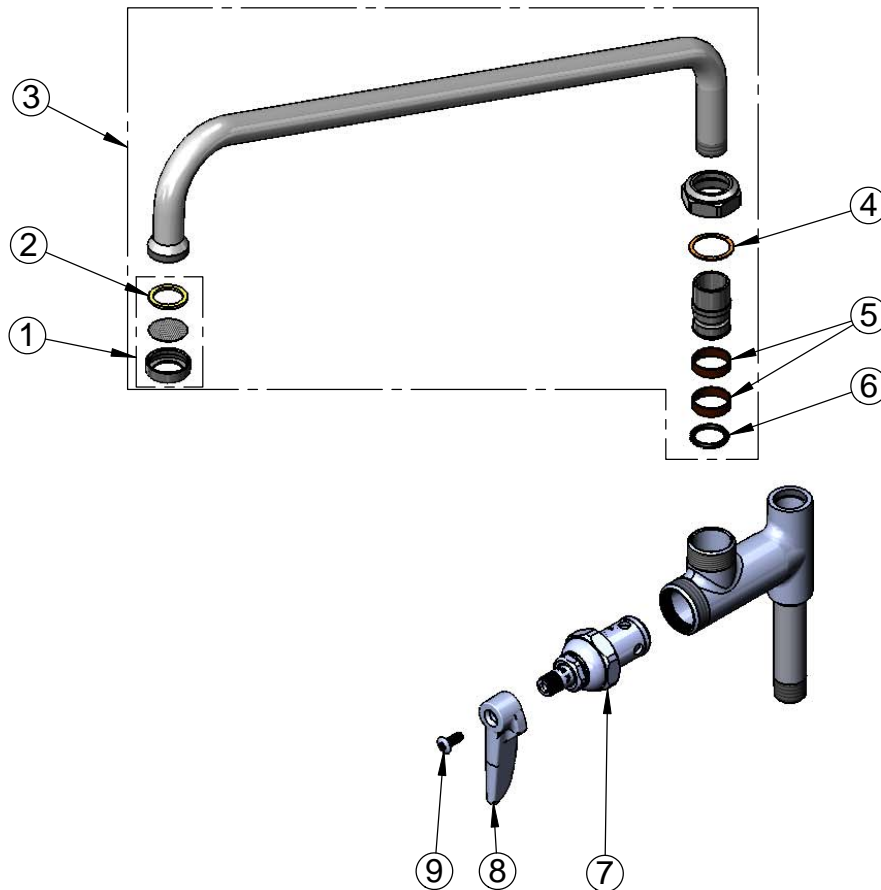
Model No.

B-0155-064X

Item No.

Travelers Rest, SC: 800-476-4103 Simi Valley, CA: 800-423-0150 Fax: 864-834-3518 www.tsbrass.com

ITEM NO.	SALES NO.	DESCRIPTION
1	B-PT	Stream Regulator Outlet
2	001048-45	Nozzle Tip Washer
3	064X	16" Swing Nozzle Assembly
4	009538-45	Swivel Washer
5	011429-45	Swivel Sleeve
6	001074-45	O-Ring
7	007947-40	Quarter Turn Spindle Assembly
8	001638-45	Lever Handle
9	000922-45	Lever Handle Screw



Product Specifications:

Add-On Faucet w/ 1/4 Turn Cartridge, 16" Swing Nozzle, B-PT Stream Regulator Outlet & Lever Handle

Drawn

KJG

Checked

DMH

Approved

JHB

Scale:

NTS

Date:

10/28/10