



T&S BRASS AND BRONZE WORKS, INC.
 2 Saddleback Cove / P.O. Box 1088
 Travelers Rest, SC 29690

Model No.
B-0155-CR-LN

Item No.

Travelers Rest, SC: 800-476-4103 • Simi Valley, CA: 800-423-0150 • Fax: 864-834-3518 • www.tsbrass.com



ADA Compliant

This Space for Architect/Engineer Approval

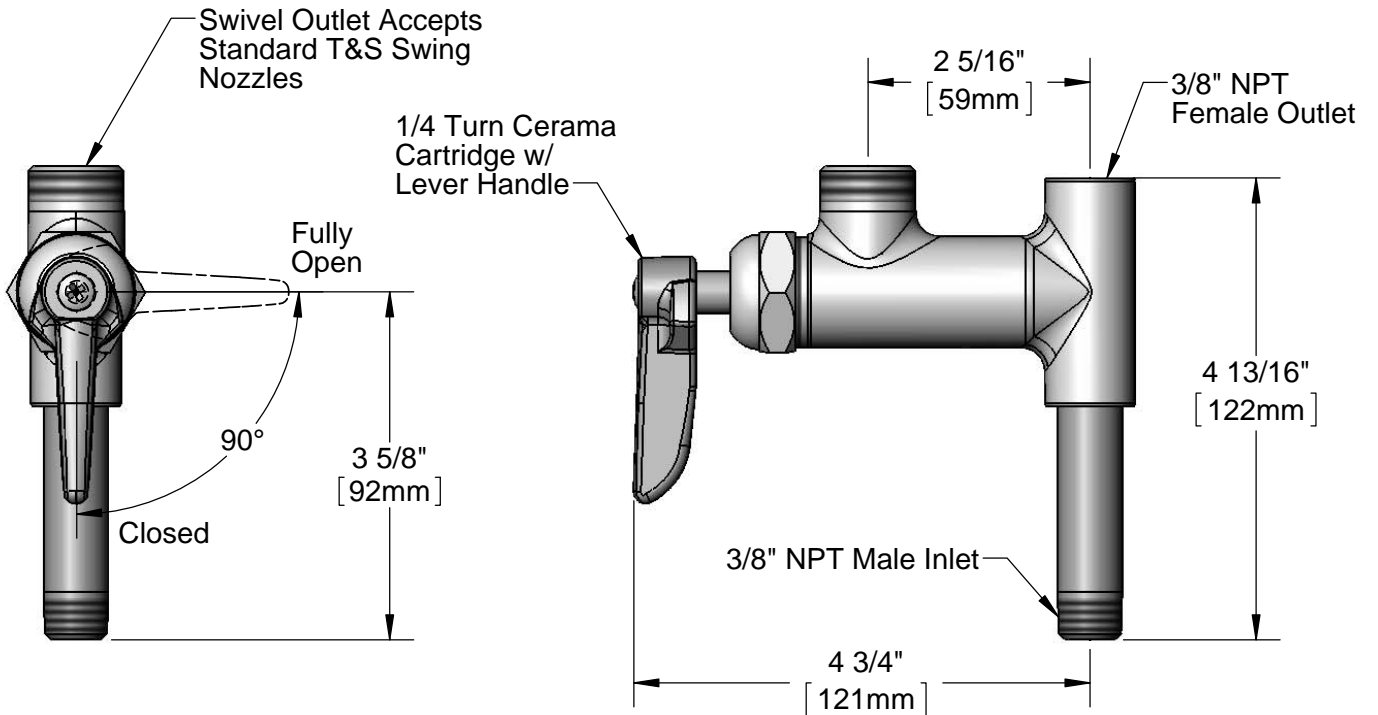
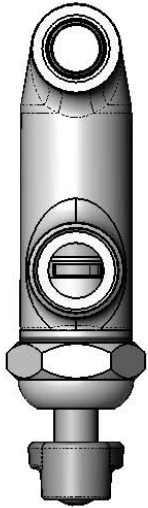
Job Name _____ Date _____

Model Specified _____ Quantity _____

Customer/Wholesaler _____

Contractor _____

Architect/Engineer _____



Notes:

1. Add-On Faucet is an Addition to Pre-Rinse Units and is Installed in Outlets of Base Mixing Faucets of Units Before Fitting Riser Pipes.
2. Lever Handle Controls Water On-Off Thru Nozzle Only. Pressure is Always "On" in Riser Pipe (Controlled by Base Mixing Faucet).

Product Specifications:
 Add-On Faucet w/ 1/4 Turn Cerama Cartridge RTC & Lever Handle (Less Nozzle)

Drawn DHL	Checked DMH	Approved JHB
Scale: 1:2		Date: 09/27/12



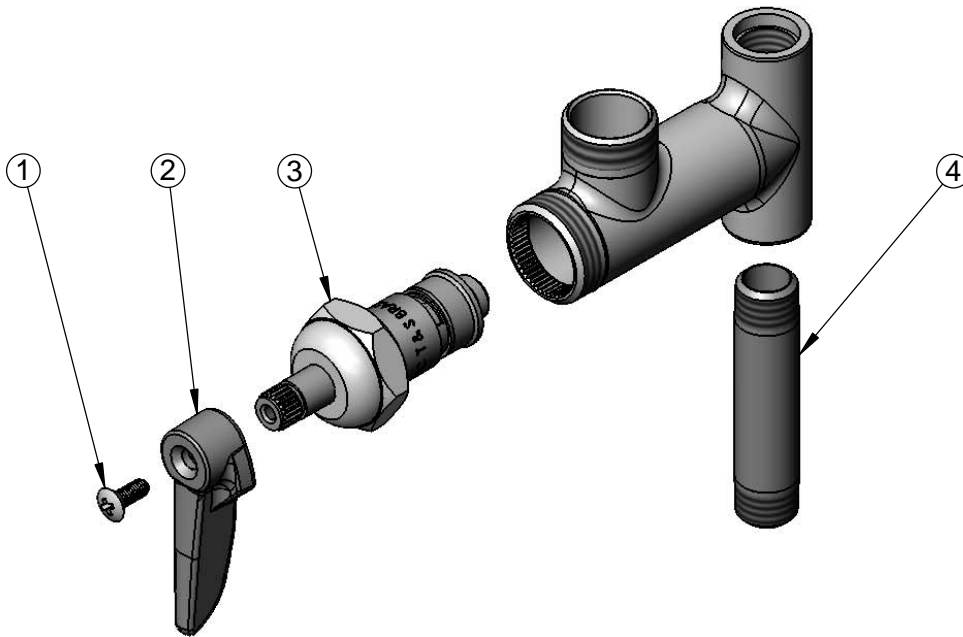
T&S BRASS AND BRONZE WORKS, INC.
 2 Saddleback Cove / P.O. Box 1088
 Travelers Rest, SC 29690

Model No.
B-0155-CR-LN

Item No.

Travelers Rest, SC: 800-476-4103 • Simi Valley, CA: 800-423-0150 • Fax: 864-834-3518 • www.tsbrass.com

ITEM NO.	SALES NO.	DESCRIPTION
1	000922-45	Lever Handle Screw
2	001638-45	Lever Handle
3	011278-25	Cerama Cartridge RTC
4	000358-40	Nipple, 3/8" NPT x 3"



Product Specifications:
 Add-On Faucet w/ 1/4 Turn Cerama Cartridge RTC
 & Lever Handle (Less Nozzle)

Drawn DHL	Checked DMH	Approved JHB
Scale: NTS		Date: 09/27/12