

T&S BRASS AND BRONZE WORKS, INC.

2 Saddleback Cove / P.O. Box 1088
Travelers Rest, SC 29690

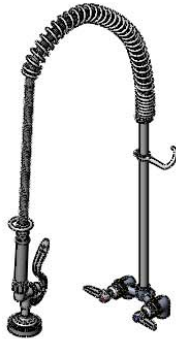
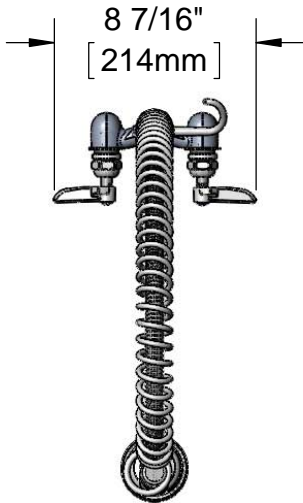
Model No.

B-0163

Item No.

Travelers Rest, SC: 800-476-4103 • Simi Valley, CA: 800-423-0150 • Fax: 864-834-3518 • www.tsbrass.com

EPAct 2005 Compliant



This Space for Architect/Engineer Approval

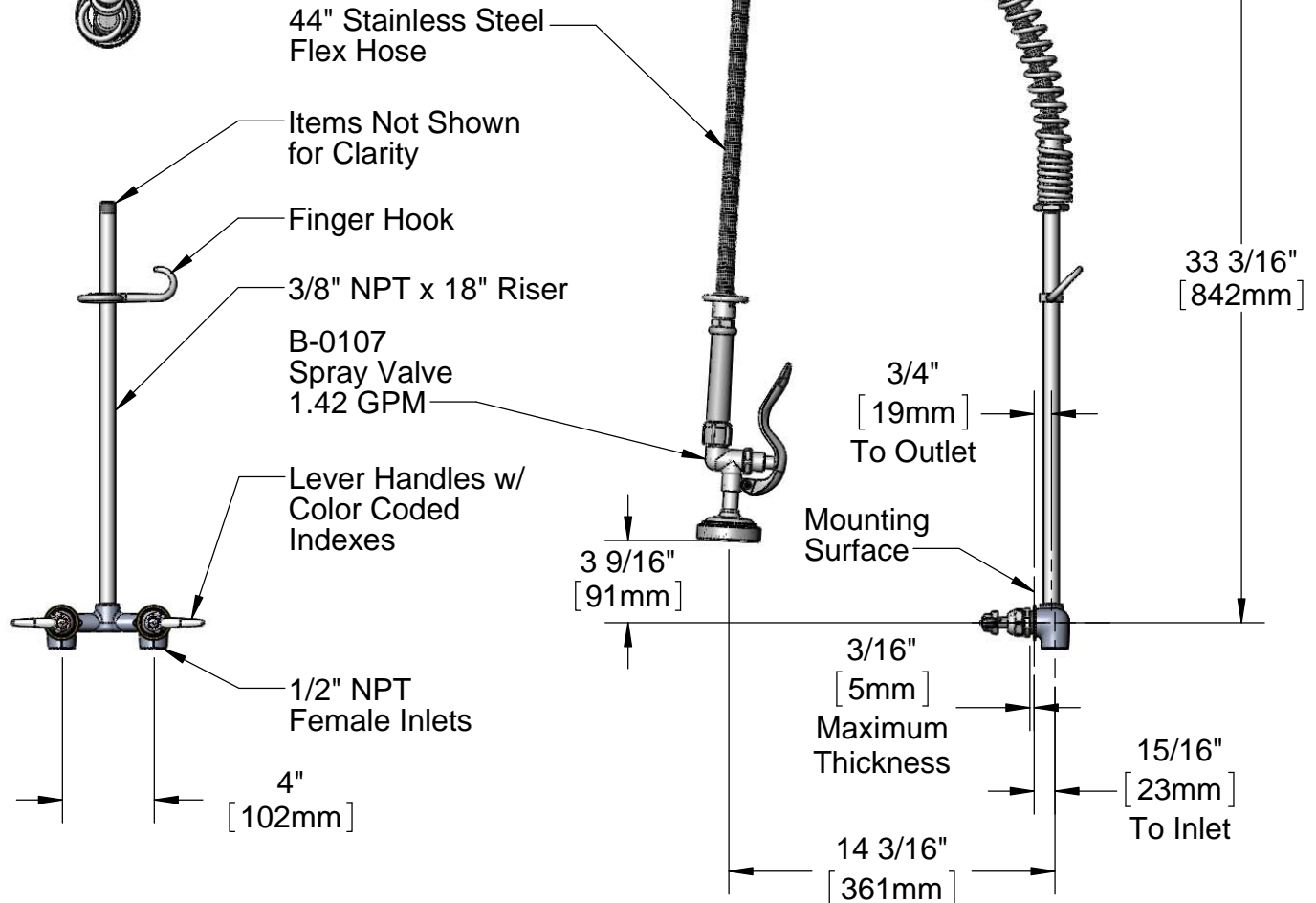
Job Name _____ Date _____

Model Specified _____ Quantity _____

Customer/Wholesaler _____

Contractor _____

Architect/Engineer _____



Rough-In Requirement:
(2) ϕ 1 1/8" [29mm] Mounting Holes

Note:
Cross Flow Prevention Devices Supplied by Others

Product Specifications:

4" Concealed Wall Mount Pre-Rinse Faucet w/ 18" Riser, Overhead Spring, 44" Stainless Steel Flex Hose, B-0107 Spray Valve & 1/2" NPT Female Inlets,

Drawn DMH	Checked DHL	Approved JHB
Scale: 1:8		Date: 10/18/12



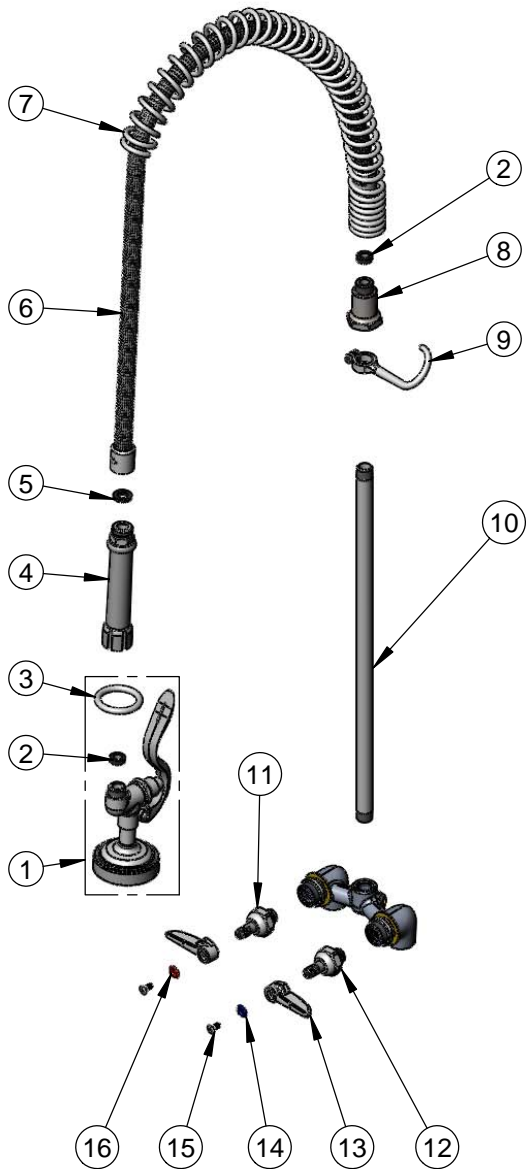
T&S BRASS AND BRONZE WORKS, INC.
 2 Saddleback Cove / P.O. Box 1088
 Travelers Rest, SC 29690

Model No.
B-0163

Item No.

Travelers Rest, SC: 800-476-4103 • Simi Valley, CA: 800-423-0150 • Fax: 864-834-3518 • www.tsbrass.com

ITEM NO.	SALES NO.	DESCRIPTION
1	B-0107	Spray Valve Assembly
2	010476-45	#27 Washer
3	000907-45	Spray Valve Hold Down Ring
4	002987-40	Handle Grip
5	001014-45	Washer, B-0100 Hose Barrel
6	B-0044-H2A	44" SS Flex Hose Less Handle
7	000888-45	EasyInstall Overhead Spring
8	000821-40	Spring Body
9	004R	Finger Hook
10	000369-40	3/8" NPT x 18" Long Riser
11	009754-25	Spindle Assembly (Left to Close)
12	009753-25	Spindle Assembly (Right to Close)
13	001638-45	Lever Handle
14	001660-45	Blue Index-CW
15	000922-45	Lever Handle Screw
16	001661-45	Red Index-HW



Product Specifications:
 4" Concealed Wall Mount Pre-Rinse Faucet w/ 18" Riser, Overhead Spring, 44" Stainless Steel Flex Hose, B-0107 Spray Valve & 1/2" NPT Female Inlets,

Drawn DMH	Checked DHL	Approved JHB
Scale: NTS		Date: 10/18/12