



T&S BRASS AND BRONZE WORKS, INC.
 2 Saddleback Cove / P.O. Box 1088
 Travelers Rest, SC 29690

Model No.
B-0169-01

Item No.

Travelers Rest, SC: 800-476-4103 • Simi Valley, CA: 800-423-0150 • Fax: 864-834-3518 • www.tsbrass.com

EPAct2005 Compliant

This Space for Architect/Engineer Approval

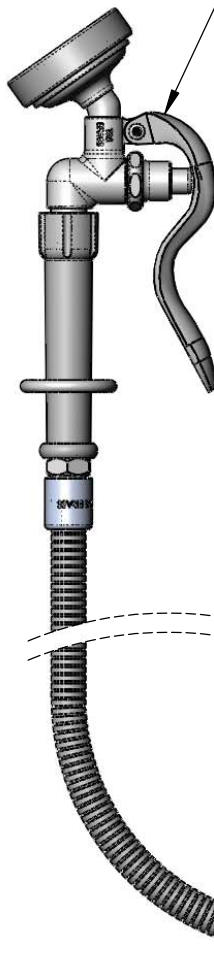
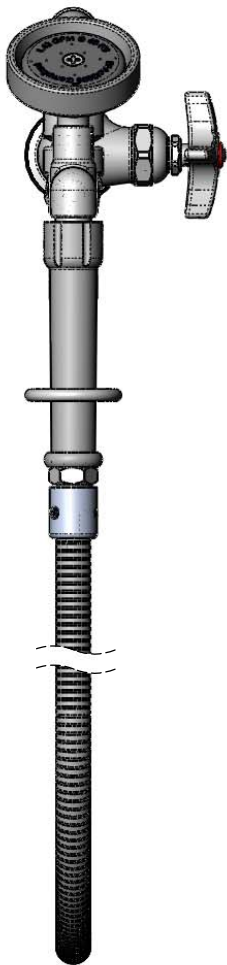
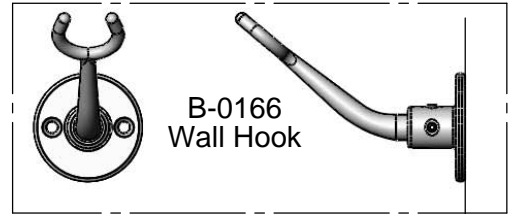
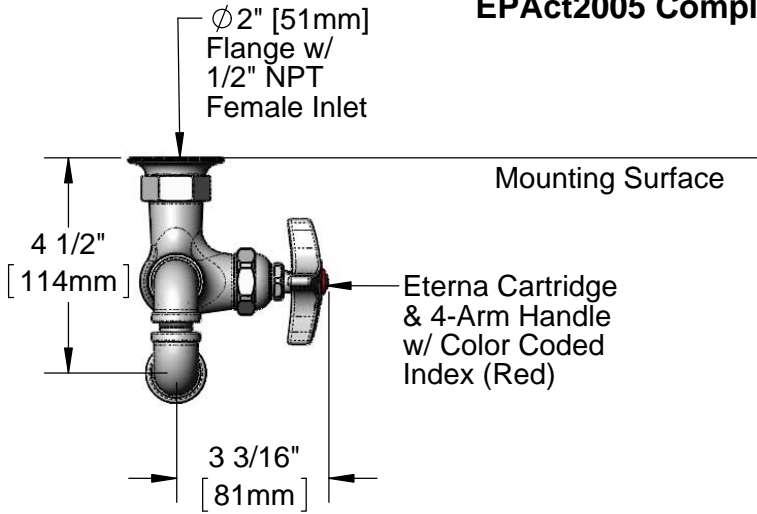
Job Name _____ Date _____

Model Specified _____ Quantity _____

Customer/Wholesaler _____

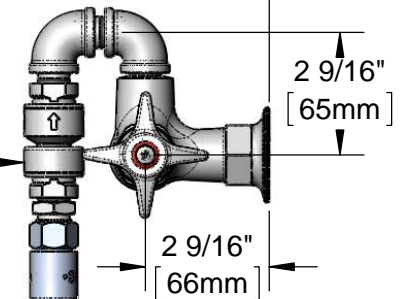
Contractor _____

Architect/Engineer _____



B-0107-035
 Angled Spray Valve
 1.42 GPM Flow

B-0970-FE
 Vacuum
 Breaker



B-0096-H
 Flexible Stainless
 Steel Hose

Product Specifications:
 Wall Mount Single Faucet w/ Eterna Cartridge, 96" Flexible
 Stainless Steel Hose w/ 1.42 GPM Angled Spray Valve,
 Vacuum Breaker, Wall Hook & 1/2" NPT Female Inlet

Drawn
DHL

Checked
DMH

Approved
JHB

Scale:
1:4

Date:
02/21/13

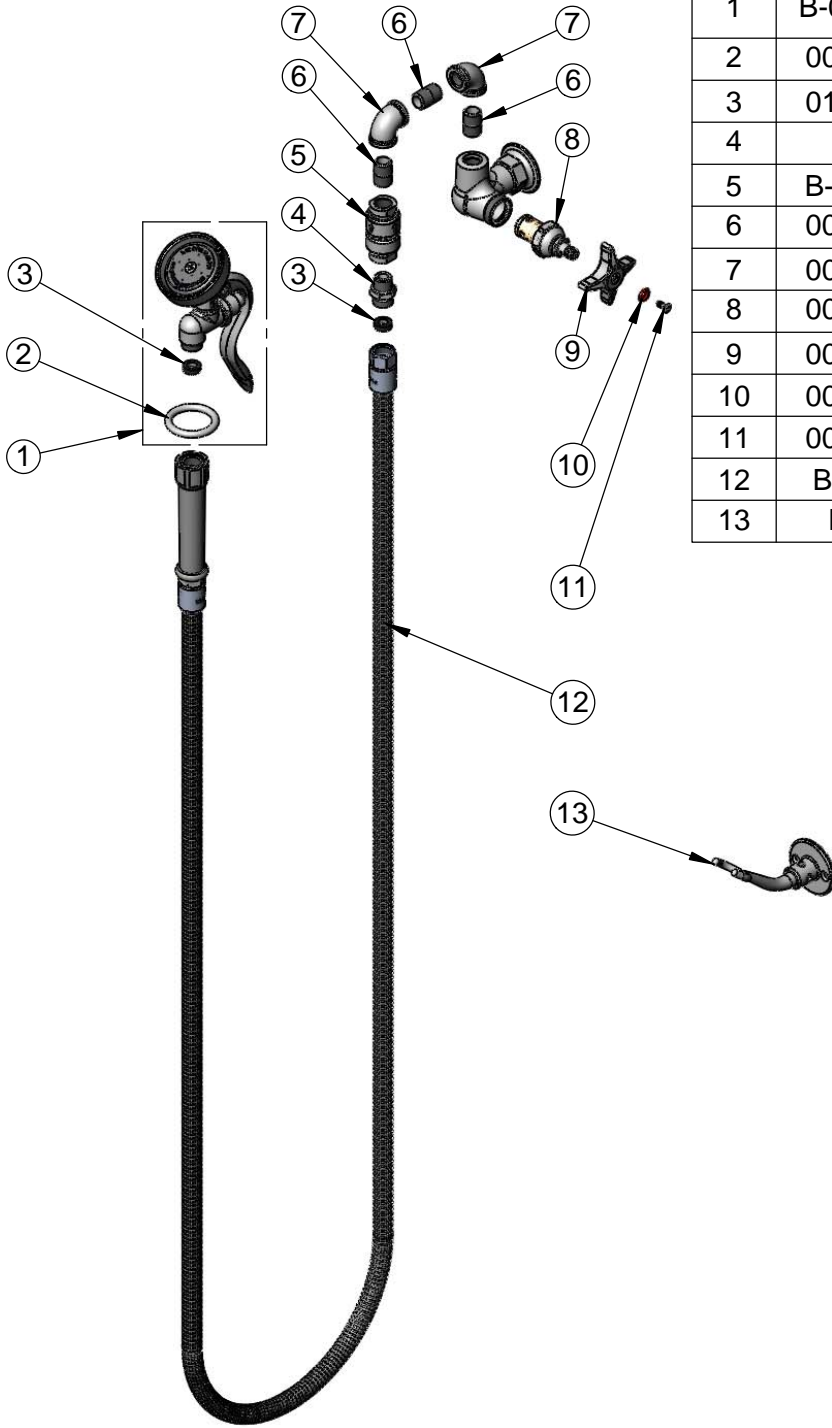


T&S BRASS AND BRONZE WORKS, INC.
 2 Saddleback Cove / P.O. Box 1088
 Travelers Rest, SC 29690

Model No.
B-0169-01

Item No.

Travelers Rest, SC: 800-476-4103 • Simi Valley, CA: 800-423-0150 • Fax: 864-834-3518 • www.tsbrass.com



ITEM NO.	SALES NO.	DESCRIPTION
1	B-0107-035	Gray Angled Spray Valve 1.42 GPM Flow Control
2	000907-45	Spray Valve Hold Down Ring
3	010476-45	#27 Washer
4	053A	Adapter, 3/8" NPT x 3/4"-14 UNS
5	B-0970-FE	3/8" NPT Vacuum Breaker
6	002535-25	3/8" Close Nipple
7	001355-40	Elbow, 3/8 NPT
8	005960-40	Eterna Cartridge, RTC
9	002521-45	4-Arm Handle
10	001661-45	Red Index-HW
11	000922-45	Lever Handle Screw
12	B-0096-H	96" Flex Stainless Steel Hose
13	B-0166	Wall Hook w/ Mounting Hardware

Product Specifications:
 Wall Mount Single Faucet w/ Eterna Cartridge, 96" Flexible
 Stainless Steel Hose w/ 1.42 GPM Angled Spray Valve,
 Vacuum Breaker, Wall Hook & 1/2" NPT Female Inlet

Drawn DHL	Checked DMH	Approved JHB
Scale: NTS		Date: 02/21/13