

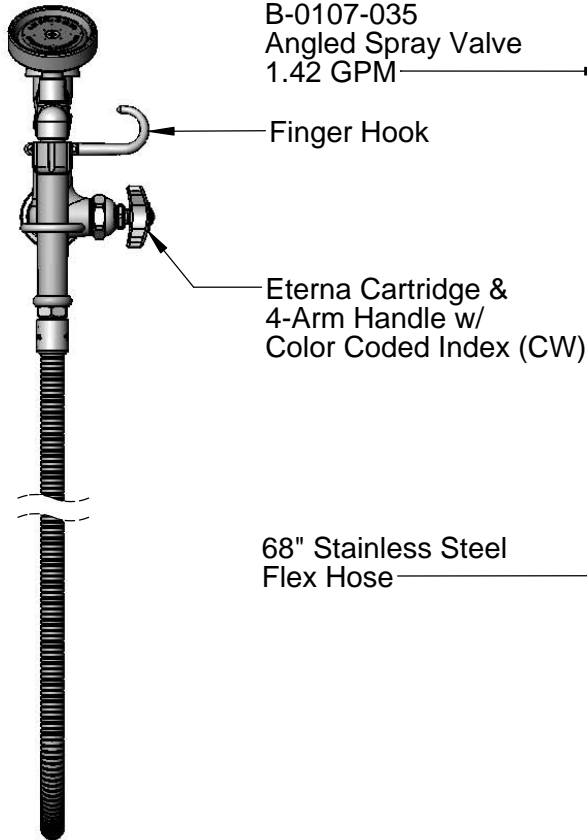
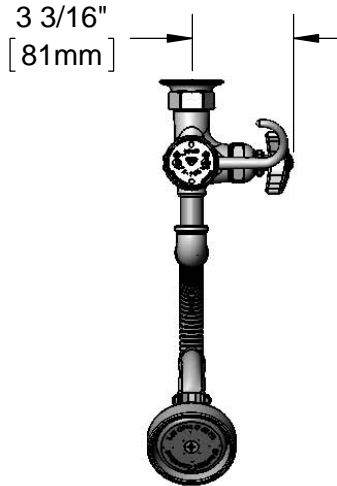
T&S BRASS AND BRONZE WORKS, INC.
 2 Saddleback Cove / P.O. Box 1088
 Travelers Rest, SC 29690

Model No.
B-0169

Item No.

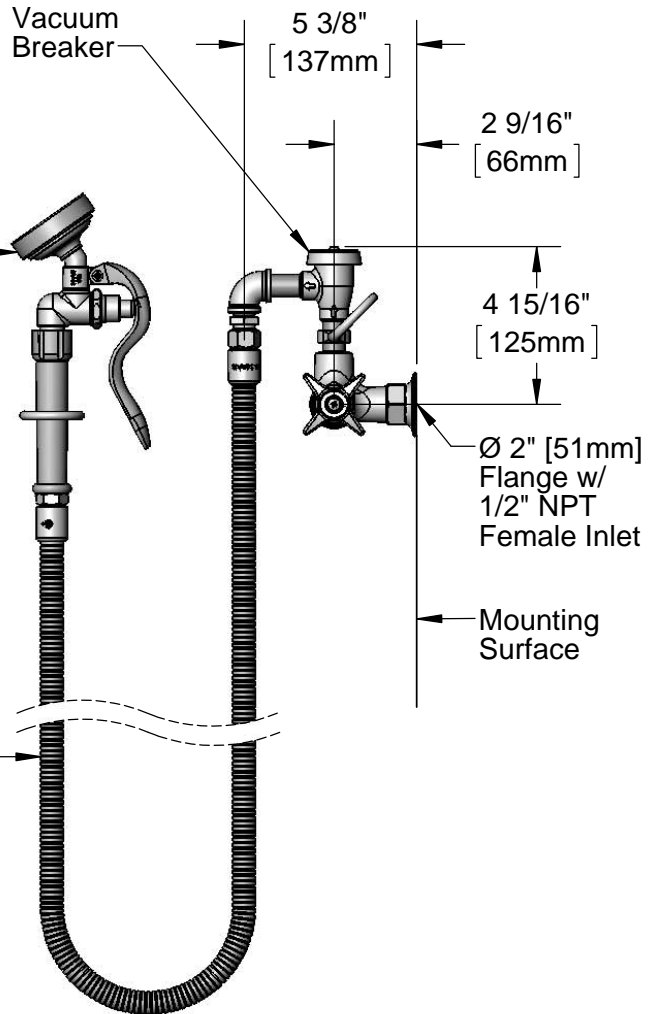
Travelers Rest, SC: 800-476-4103 • Simi Valley, CA: 800-423-0150 • Fax: 864-834-3518 • www.tsbrass.com

EPAct2005 Compliant



This Space for Architect/Engineer Approval

Job Name _____ Date _____
 Model Specified _____ Quantity _____
 Customer/Wholesaler _____
 Contractor _____
 Architect/Engineer _____



Product Specifications:
 Single Hole Wall Mount Single Faucet w/ Eterna Cartridge,
 4-Arm Handle w/ (CW) Index, Vacuum Breaker, 68" Stainless Steel
 Flex Hose, Angled 1.42 GPM Spray Valve & 1/2" Female Inlet

Drawn DHL	Checked DMH	Approved JHB
Scale: 1:6		Date: 11/02/12



T&S BRASS AND BRONZE WORKS, INC.

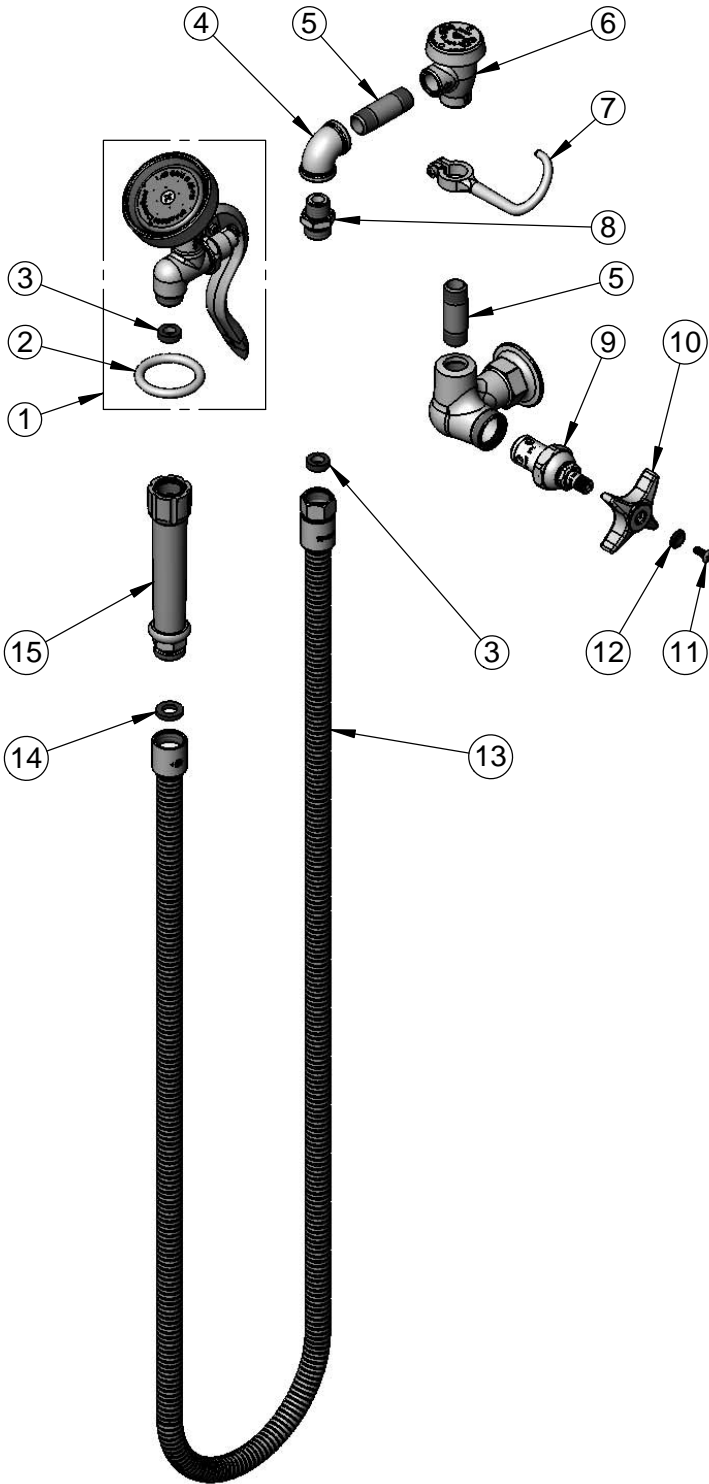
2 Saddleback Cove / P.O. Box 1088
Travelers Rest, SC 29690

Model No.

B-0169

Item No.

Travelers Rest, SC: 800-476-4103 • Simi Valley, CA: 800-423-0150 • Fax: 864-834-3518 • www.tsbrass.com



ITEM NO.	SALES NO.	DESCRIPTION
1	B-0107-035	Angled 1.42 GPM Gray Spray Valve
2	000907-45	Spray Valve Hold Down Ring
3	010476-45	#27 Washer
4	001355-40	Elbow, 3/8 NPT
5	000357-40	Nipple, 3/8" NPT x 2"
6	B-0968	Vacuum Breaker Asm, 3/8"
7	004R	Finger Hook
8	053A	Adapter, 3/8" NPT x 3/4"-14 UN
9	005960-40	Eterna Cartridge, RTC
10	002521-45	4-Arm Handle
11	000922-45	Lever Handle Screw
12	001660-45	Blue Index-CW
13	B-0068-H2A	68" Stainless Steel Flex Hose, Less Handle
14	001014-45	Washer, B-0100 Hose Barrel
15	002987-40	Gray Grip Handle

Product Specifications:

Single Hole Wall Mount Single Faucet w/ Eterna Cartridge, 4-Arm Handle w/ (CW) Index, Vacuum Breaker, 68" Stainless Steel Flex Hose, Angled 1.42 GPM Spray Valve & 1/2" Female Inlet

Drawn

DHL

Checked

DMH

Approved

JHB

Scale:

NTS

Date:

11/02/12