



T&S BRASS AND BRONZE WORKS, INC.

2 Saddleback Cove / P.O. Box 1088
Travelers Rest, SC 29690

Model No.

B-0172

Item No.

Travelers Rest, SC: 800-476-4103 • Simi Valley, CA: 800-423-0150 • Fax: 864-834-3518 • www.tsbrass.com

EPAAct2005 COMPLIANT

This Space for Architect/Engineer Approval

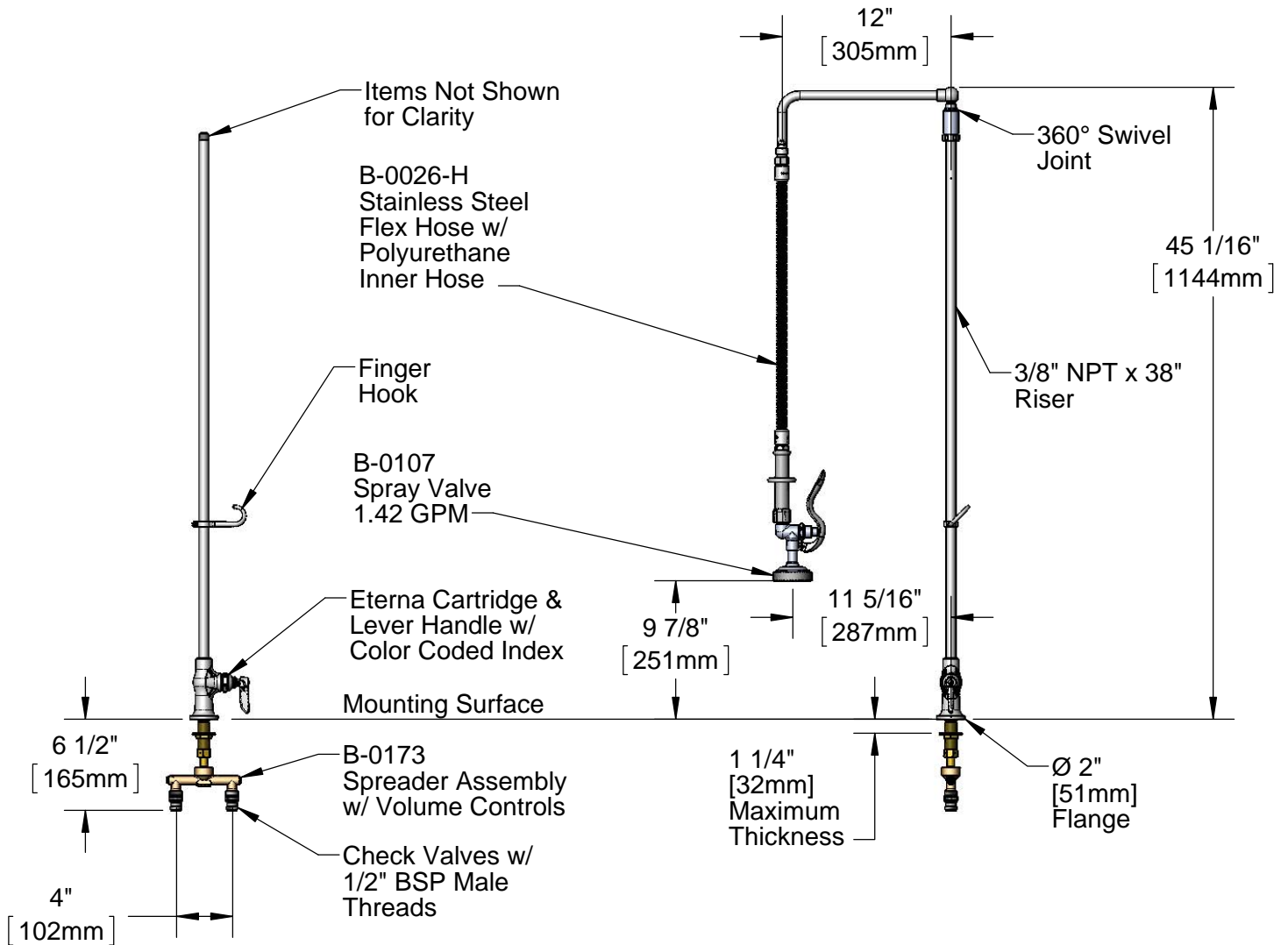
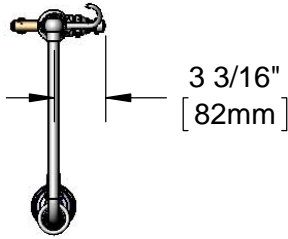
Job Name _____ Date _____

Model Specified _____ Quantity _____

Customer/Wholesaler _____

Contractor _____

Architect/Engineer _____



Rough-In Requirement
1" [25mm] Mounting Hole

Product Specifications:
Deck Mount Mixing Faucet, 12" Overhead Swivel Arm, Eterna
Cartridges, Lever Handle, B-0107 Spray Valve, 26" Flex Hose,
Undercounter Spreader Unit, & Check Valves

Drawn KJG	Checked GEF	Approved JHB
Scale: 1:12		Date: 05/22/12



T&S BRASS AND BRONZE WORKS, INC.

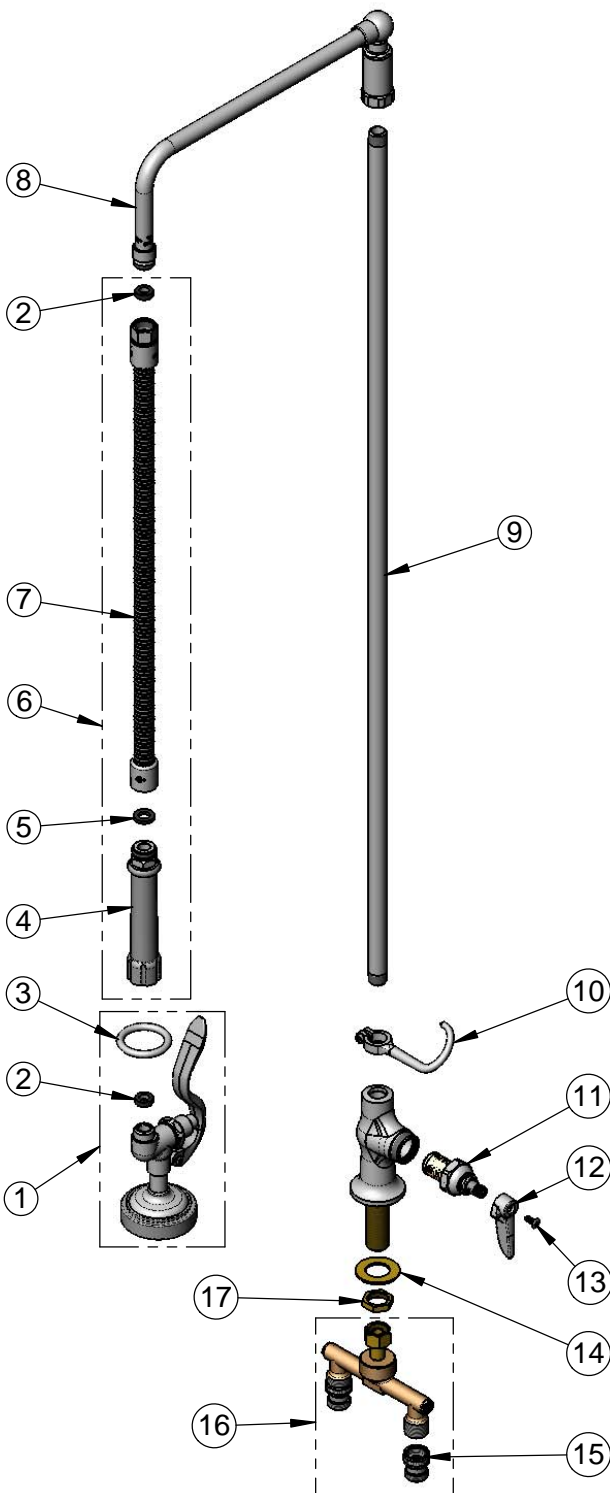
2 Saddleback Cove / P.O. Box 1088
Travelers Rest, SC 29690

Model No.

B-0172

Item No.

Travelers Rest, SC: 800-476-4103 • Simi Valley, CA: 800-423-0150 • Fax: 864-834-3518 • www.tsbrass.com



ITEM NO.	SALES NO.	DESCRIPTION
1	B-0107	Spray Valve w/ Hold Down Ring & Washer
2	010476-45	#27 Washer
3	000907-45	Spray Valve Hold Down Ring
4	002987-40	Handle Grip
5	001014-45	Washer, B-0100 Hose Barrel
6	B-0026-H	26" Stainless Steel Flex Hose w/ Handle
7	B-0026-H2A	26" Stainless Steel Flex Hose - Less Handle
8	002882-40	12" Swivel L-Tube
9	016M	3/8" NPT x 38" Long Riser
10	004R	Finger Hook
11	005960-40	Eterna Cartridge RTC
12	001638-45	Lever Handle
13	000922-45	Lever Handle Screw
14	000999-45	Brass Lock Washer
15	010321-45	Check Valve Assembly
16	002899-40	4" Spreader Unit
17	002954-45	Shank Lock Nut

Product Specifications:

Deck Mount Mixing Faucet, 12" Overhead Swivel Arm, Eterna Cartridges, Lever Handle, B-0107 Spray Valve, 26" Flex Hose, Undercounter Spreader Unit, & Check Valves

Drawn

KJG

Checked

GEF

Approved

JHB

Scale:

NTS

Date:

05/22/12