



T&S BRASS AND BRONZE WORKS, INC.

2 Saddleback Cove / P.O. Box 1088
Travelers Rest, SC 29690

Model No.

B-0173-B

Item No.

Travelers Rest, SC: 800-476-4103 • Simi Valley, CA: 800-423-0150 • Fax: 864-834-3518 • www.tsbrass.com

This Space for Architect/Engineer Approval

Job Name _____ Date _____

Model Specified _____ Quantity _____

Customer/Wholesaler _____

Contractor _____

Architect/Engineer _____

EPAct 2005 Compliant



3 3/16"
[82mm]

44" Flex Hose w/
Overhead Spring &
Spray Valve

Items Not Shown
for Clarity

Finger Hook

3/8" NPT x 24" Riser

B-0107
Spray Valve
1.42 GPM

Eterna Cartridge
& Lever Handle

Mounting Surface

B-0173
Spreader Assembly w/
Volume Control

Check Valves w/
1/2" BSP Male
Threads

4"
[102mm]

12 7/8"
[327mm]

1 1/4"
[32mm]
Maximum
Thickness

B-0109-01
Wall Bracket

14 1/16"
[357mm]

42 5/16"
[1075mm]

Ø2"
[51mm]
Flange

Rough-In Requirement:
Ø1" [25mm] Mounting Hole

Product Specifications:

Pre-Rinse Unit:

Single Deck Mount Faucet w/ Eterna Cartridge, Undercounter
Spreader Assembly, 24" Riser, Overhead Spring, 44" Flex Hose,
B-0107 Spray Valve & Wall Bracket

Drawn

KJG

Checked

GEF

Approved

JHB

Scale:

1:10

Date:

05/22/12



T&S BRASS AND BRONZE WORKS, INC.

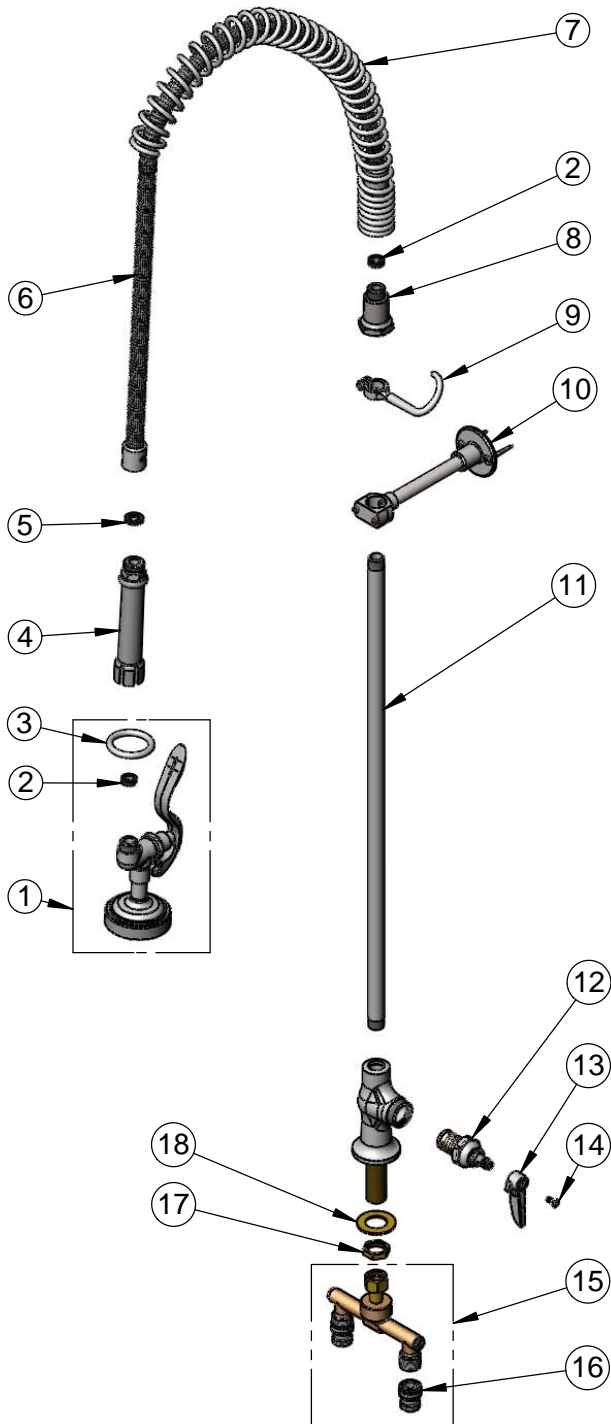
2 Saddleback Cove / P.O. Box 1088
Travelers Rest, SC 29690

Model No.

B-0173-B

Item No.

Travelers Rest, SC: 800-476-4103 • Simi Valley, CA: 800-423-0150 • Fax: 864-834-3518 • www.tsbrass.com



ITEM NO.	SALES NO.	DESCRIPTION
1	B-0107	Spray Valve Assembly w/ Hold Down Ring & Washer
2	010476-45	#27 Washer
3	000907-45	Spray Valve Hold Down Ring
4	002987-40	Grey Handle Assembly
5	001014-45	Washer, B-0100 Hose Barrel
6	B-0044-H2A	44" Flex Hose Assembly Less Handle
7	000888-45	EasyInstall Overhead Spring
8	000821-40	Spring Body
9	004R	Finger Hook
10	B-0109-01	6" Wall Bracket
11	000372-40	3/8" NPT x 24" Long Riser
12	005960-40	Eterna Cartridge RTC
13	001638-45	Lever Handle
14	000922-45	Lever Handle Screw
15	002899-40	1/2" BSP Spreader w/ Check Valves
16	010321-45	Check Valve Assembly
17	002954-45	Shank Lock Nut
18	000999-45	Brass Lock Washer

Product Specifications:

Pre-Rinse Unit:

Single Deck Mount Faucet w/ Eterna Cartridge, Undercounter Spreader Assembly, 24" Riser, Overhead Spring, 44" Flex Hose, B-0107 Spray Valve & Wall Bracket

Drawn

KJG

Checked

GEF

Approved

JHB

Scale:

NTS

Date:

05/22/12