



T&S BRASS AND BRONZE WORKS, INC.

2 Saddleback Cove / P.O. Box 1088
Travelers Rest, SC 29690

Model No.

B-0173-BR

Item No.

Travelers Rest, SC: 800-476-4103 • Simi Valley, CA: 800-423-0150 • Fax: 864-834-3518 • www.tsbrass.com

EPAct 2005 Compliant

This Space for Architect/Engineer Approval

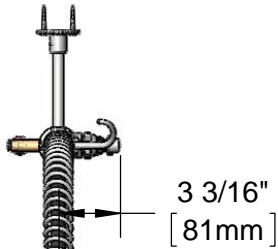
Job Name _____ Date _____

Model Specified _____ Quantity _____

Customer/Wholesaler _____

Contractor _____

Architect/Engineer _____



44" PVC Hose w/
Overhead Spring &
Spray Valve

Items Not Shown
for Clarity

Finger Hook

3/8" NPT x 24" Riser

B-0107
Spray Valve
1.42 GPM

Eterna Cartridge
& Lever Handle

Mounting Surface

B-0173
Spreader Assembly w/
Volume Controls

Check Valves w/
1/2" BSP Male
Threads

B-0109-01
Wall Bracket

42 5/16"
[1075mm]

12 3/16"
[310mm]

14 1/8"
[359mm]

1 1/4"
[32mm]
Maximum
Thickness

Ø2"
[51mm]
Flange

4"
[102mm]

Rough-In Requirement:
Ø1" [25mm] Mounting Hole

Product Specifications:
Pre-Rinse Unit:
Single Deck Mount Faucet w/ Eterna Cartridge, Undercounter
Spreader Assembly, 24" Riser, Overhead Spring, 44" PVC Hose,
B-0107 Spray Valve & Wall Bracket

Drawn

KJG

Checked

GEF

Approved

JHB

Scale:

1:10

Date:

05/22/12



T&S BRASS AND BRONZE WORKS, INC.

2 Saddleback Cove / P.O. Box 1088

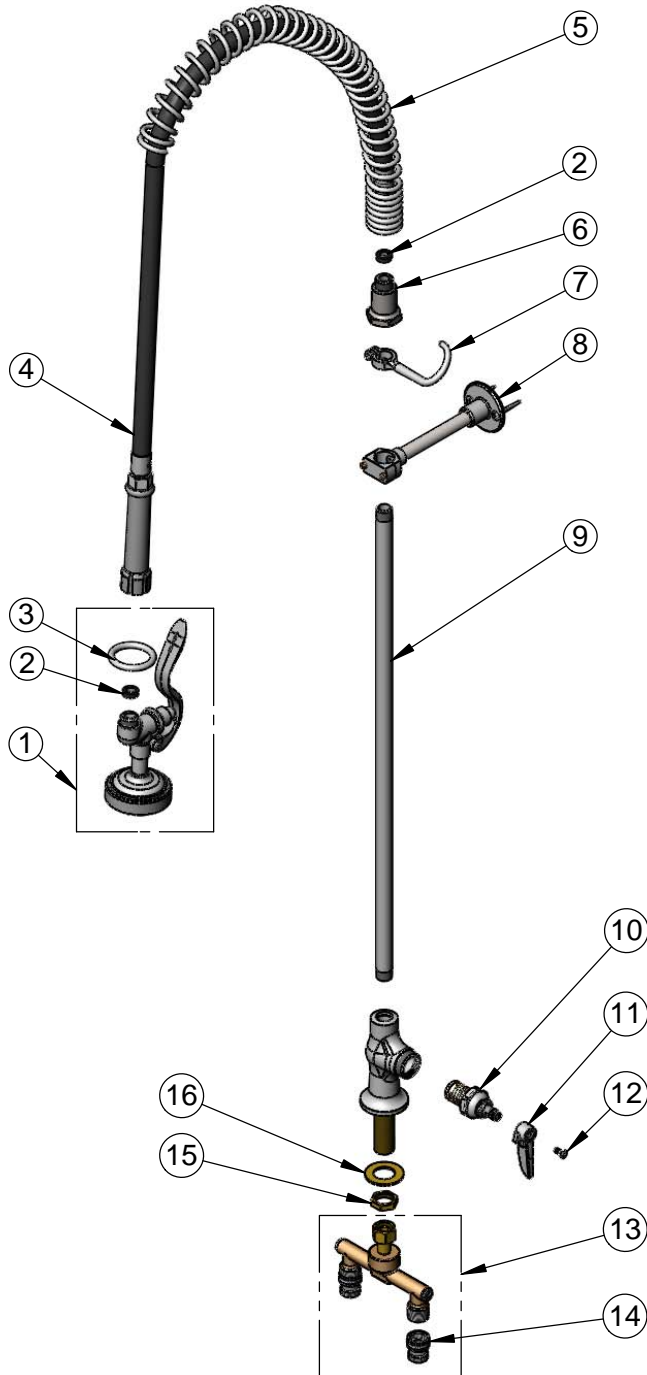
Travelers Rest, SC 29690

Model No.

B-0173-BR

Item No.

Travelers Rest, SC: 800-476-4103 • Simi Valley, CA: 800-423-0150 • Fax: 864-834-3518 • www.tsbrass.com



ITEM NO.	SALES NO.	DESCRIPTION
1	B-0107	Spray Valve Assembly w/ Hold Down Ring & Washer
2	010476-45	#27 Washer
3	000907-45	Spray Valve Hold Down Ring
4	B-0044-R	44" PVC Hose Assembly w/ Handle
5	000888-45	EasyInstall Overhead Spring
6	000821-40	Spring Body
7	004R	Finger Hook
8	B-0109-01	6" Wall Bracket Assembly
9	000372-40	3/8" NPT x 24" Long Riser
10	005960-40	Eterna Cartridge RTC
11	001638-45	Lever Handle
12	000922-45	Lever Handle Screw
13	002899-40	1/2" BSP Spreader w/ Check Valves
14	010321-45	Check Valve Assembly
15	002954-45	Shank Lock Nut
16	000999-45	Brass Lock Washer

Product Specifications:

Pre-Rinse Unit:

Single Deck Mount Faucet w/ Eterna Cartridge, Undercounter Spreader Assembly, 24" Riser, Overhead Spring, 44" PVC Hose, B-0107 Spray Valve & Wall Bracket

Drawn

KJG

Checked

GEF

Approved

JHB

Scale:

NTS

Date:

05/22/12