



T&S BRASS AND BRONZE WORKS, INC.

2 Saddleback Cove / P.O. Box 1088
Travelers Rest, SC 29690

Model No.

B-0175

Item No.

Travelers Rest, SC: 800-476-4103 • Simi Valley, CA: 800-423-0150 • Fax: 864-834-3518 • www.tsbrass.com

This Space for Architect/Engineer Approval

Job Name _____ Date _____

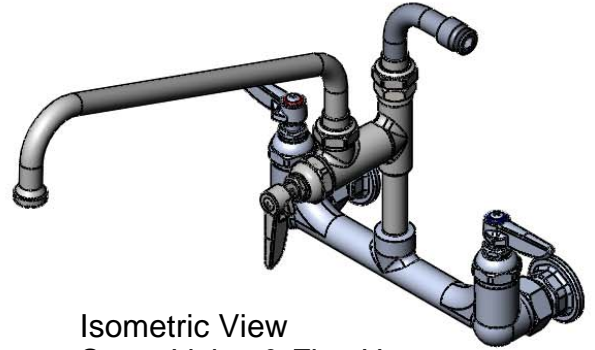
Model Specified _____ Quantity _____

Customer/Wholesaler _____

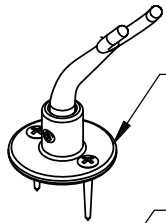
Contractor _____

Architect/Engineer _____

EPAct 2005 COMPLIANT

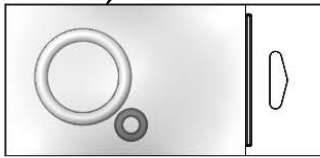


Isometric View
Spray Valve & Flex Hose
Not Shown

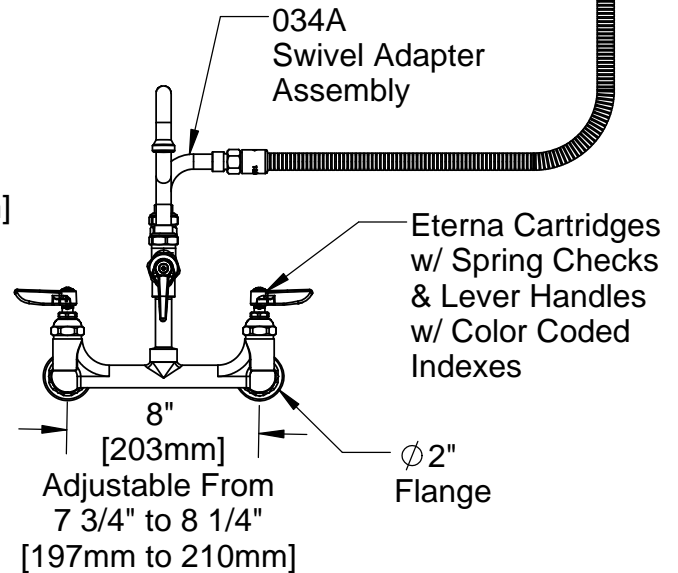
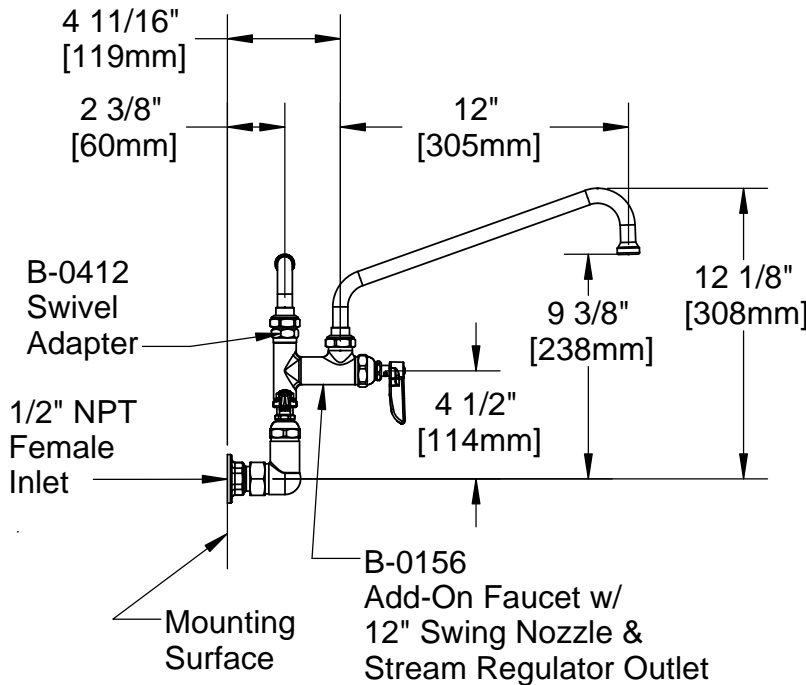


B-0166
Hanger Hook Assembly

Hold Down Ring
w/ Hose Washer



B-0107-035
Spray Valve w/
B-0104-H Stainless
Steel Flex Hose



Product Specifications:

Pre-Rinse Unit w/ Double Pantry Faucet, Lever Handles, 12" Swivel Nozzle, Stream Regulator Outlet & Wall Flange

Drawn

JRM

Checked

KJG

Approved

JHB

Scale:

1:4

Date:

03/29/12



T&S BRASS AND BRONZE WORKS, INC.

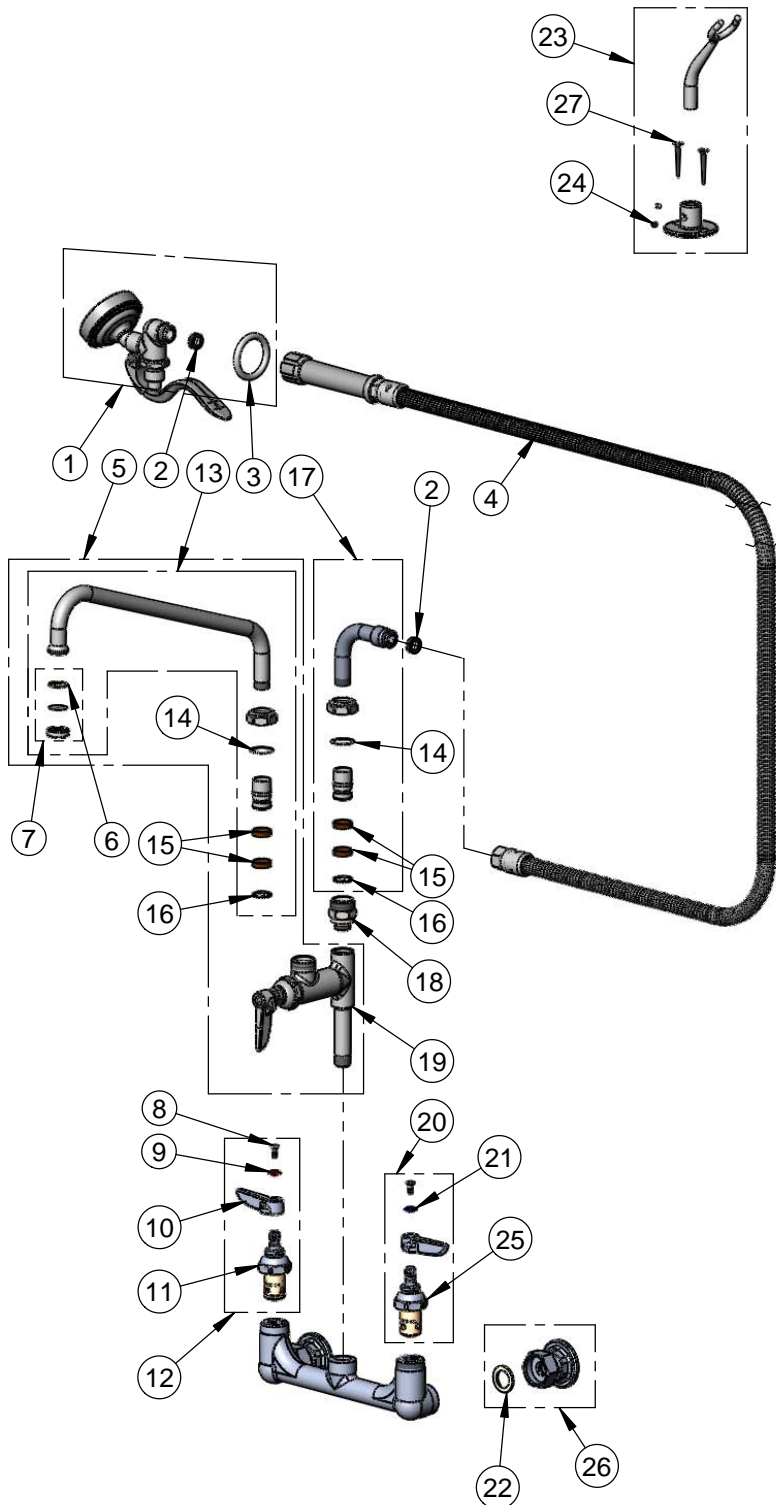
2 Saddleback Cove / P.O. Box 1088
Travelers Rest, SC 29690

Model No.

B-0175

Item No.

Travelers Rest, SC: 800-476-4103 • Simi Valley, CA: 800-423-0150 • Fax: 864-834-3518 • www.tsbrass.com



ITEM NO.	SALES NO.	DESCRIPTION
1	B-0107-035	Spray Valve Assembly
2	010476-45	#27 Washer
3	000907-45	Spray Valve Hold Down Ring
4	B-0104-H	104" Flex Hose Assembly
5	B-0156	Add-On Faucet w/ 12" Nozzle
6	009638-45	Washer
7	B-PT	Index Ring Assembly
8	000922-45	Lever Handle Screw
9	001661-45	Red Index-HW
10	001638-45	Lever Handle
11	012443-40	Hot Eterna w/ Spring Check
12	002712-40	Hot Eterna Spindle Assembly w/ Spring Check, Handle Index & Screw
13	062X	Stream Regulator Outlet
14	009538-45	Swivel Washer
15	011429-45	Swivel Sleeves (2)
16	001074-45	O-Ring
17	034A	Swivel Adapter Assembly
18	B-0412	Rigid to Swivel Adapter
19	B-0155-LN	Add-On Faucet
20	002711-40	Cold Eterna Spindle Assembly w/ Spring Check, Handle, Index & Screw
21	001660-45	Blue Index-CW
22	001019-45	Coupling Nut Washer
23	B-0166	Hanger Hook Assembly
24	001584-45	Set Screw, B-0119 Rod End
25	012442-40	Cold Eterna w/ Spring Check
26	00AA	Flange Assembly
27	000915-45	Mounting Screw

Product Specifications:
Pre-Rinse Unit w/ Double Pantry Faucet, Lever Handles,
12" Swivel Nozzle, Stream Regulator Outlet & Wall Flange

Drawn	Checked	Approved
JRM	KJG	JHB
Scale:	Date:	
NTS	03/29/12	