



T&S BRASS AND BRONZE WORKS, INC.

2 SADDLEBACK COVE / P.O. BOX 1088 / TRAVELERS REST, SC 29690

PHONE 800-476-4103

FAX 803- 834-3518



REG.#A2601
ISO #9002

Model No.

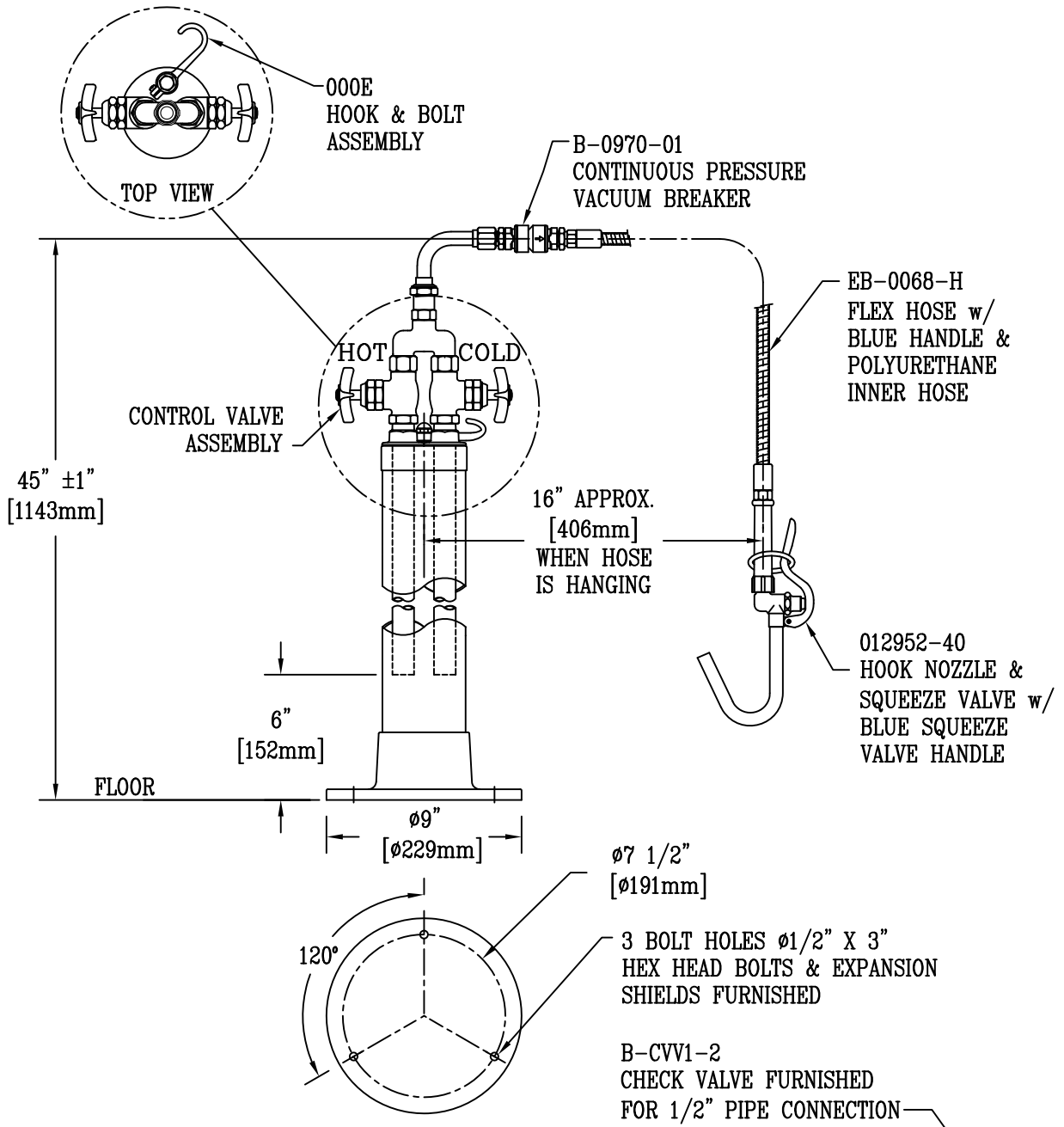
B-0188

Item No.:

Job Name:

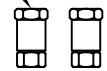
Architect/Engineer Approval:

Notes:



NOTES:

1. ASSEMBLY CONNECTS TO $\phi 1/2"$ PIPE NIPPLES ROUGHED IN FROM FLOOR ON 2" CENTERS TO A HEIGHT OF 6".
2. STANCHION IS BRASS WITH POLISHED CHROME PLATED FINISH.
3. STANDARD HOSE LENGTH=68" (MODIFIED LENGTHS AVAILABLE UPON REQUEST)
4. ASSEMBLY FURNISHED WITH CHECK VALVES TO PREVENT CROSS FLOW OF WATER



Product Description:

KETTLE KADDY ASSEMBLY

KETTLE FILLER HOSE STANCHION w/ CONTINUOUS PRESSURE VACUUM BREAKER

Drawn:

DHL

Checked

DMH

Scale:

1 : 8

Approved

JHB

Date:

09/02/11