



T&S BRASS AND BRONZE WORKS, INC.

2 SADDLEBACK COVE / P.O. BOX 1088 / TRAVELERS REST, SC 29690

PHONE 800-476-4103

FAX 864- 834-3518



REG.#A2601
ISO #9002

Model No.

B-0190

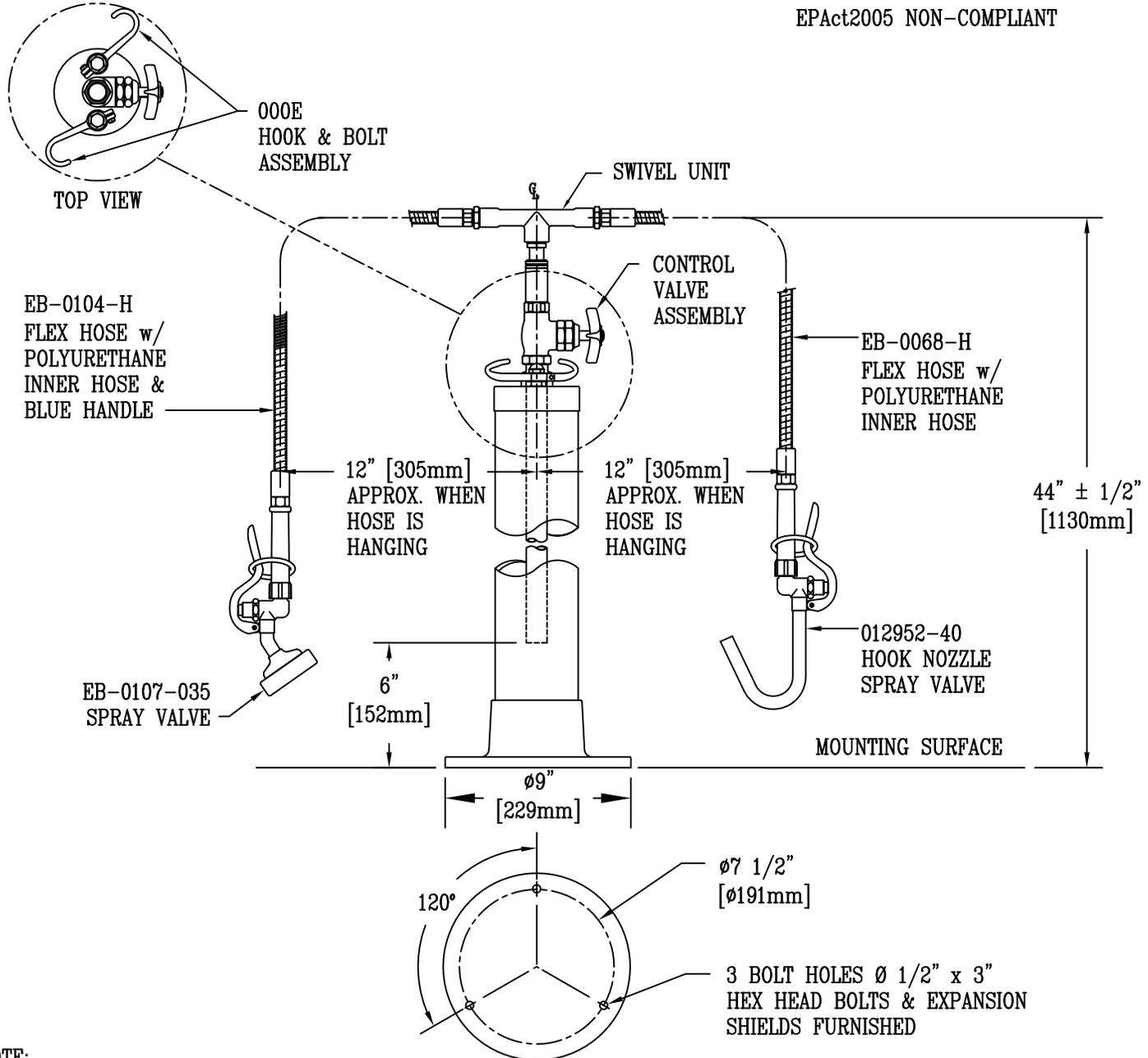
Item No.:

Job Name:

Architect/Engineer Approval:

Notes:

EPAct2005 NON-COMPLIANT



NOTE:

1. ASSEMBLY CONNECTS TO \varnothing 1/2" PIPE NIPPLES ROUGHED IN FROM FLOOR ON 2" CENTERS TO A HEIGHT OF 6".
2. STANCHION IS BRASS WITH POLISHED CHROME PLATED FINISH.
3. STANDARD FLEX HOSE = 68" LONG
STANDARD FLEX HOSE = 104" LONG
(MODIFIED LENGTHS AVAILABLE UPON REQUEST)

Product Description:
 KETTLE KADDY ASSEMBLY
 COMBINATION KETTLE FILLER AND SPRAY
 STANCHION, COLD WATER SUPPLY

Drawn:

Checked

Scale:

DHL

JRM

1:8

Approved

Date:

JHB

08/03/11