



T&S BRASS AND BRONZE WORKS, INC.
 2 Saddleback Cove / P.O. Box 1088
 Travelers Rest, SC 29690

Model No.

B-0199-01-N05

Item No.

Travelers Rest, SC: 800-476-4103 • Simi Valley, CA: 800-423-0150 • Fax: 864-834-3518 • www.tsbrass.com

This Space for Architect/Engineer Approval

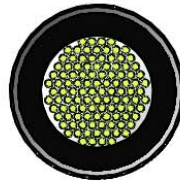
Job Name _____ Date _____

Model Specified _____ Quantity _____

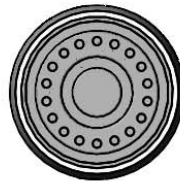
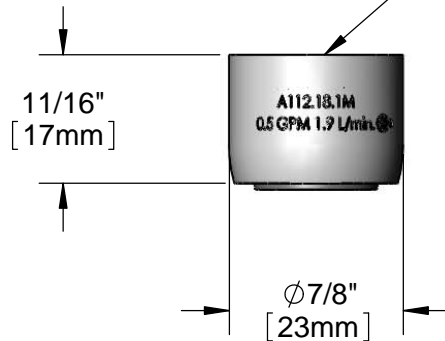
Customer/Wholesaler _____

Contractor _____

Architect/Engineer _____



55/64-27 UN
Female Threads



Product Specifications:
 0.5 GPM Non-Aerated PCA Spray Device, 55/64"-27 UN Female

Drawn

DMH

Checked

KJG

Approved

JHB

Scale:

1:1

Date:

04/03/13