

T&S BRASS AND BRONZE WORKS, INC.

2 SADDLEBACK COVE / P.O. BOX 1088 / TRAVELERS REST, SC 29690

PHONE 800-476-4103

FAX 864- 834-3518



REG.#A2601
ISO #9002

Model No.

B-0199-03

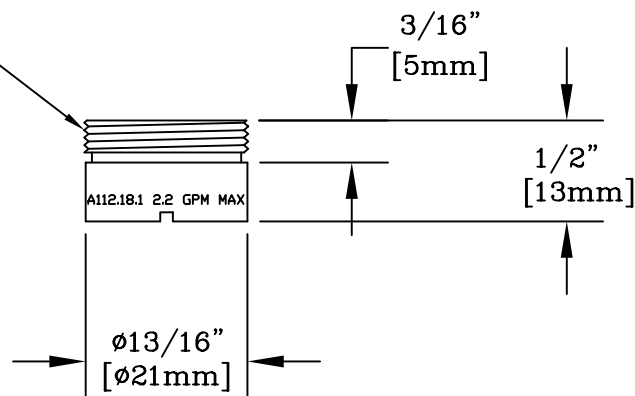
Item No.:

Job Name:

Architect/Engineer Approval:

Notes:

13/16-27UN
MALE THREAD



Product Description:

AERATOR w/ 13/16-27UN MALE THREAD

Drawn:

KJG

Checked

ARH

Scale:

1' = 1'

Approved

JHB

Date:

01/22/09