



T&S BRASS AND BRONZE WORKS, INC.

2 Saddleback Cove / P.O. Box 1088
Travelers Rest, SC 29690



REG. #A2601
ISO #9001

Model No.

B-0199-06-N035

Item No.

Travelers Rest, SC: 800-476-4103 • Simi Valley, CA: 800-423-0150 • Fax: 864-834-3518 • www.tsbrass.com

This Space for Architect/Engineer Approval

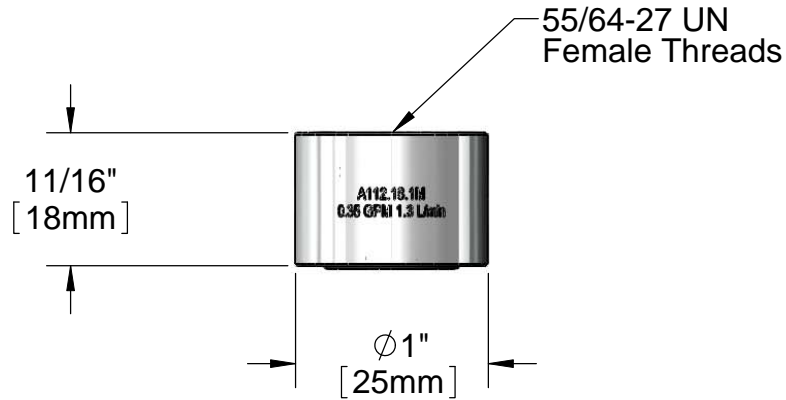
Job Name _____ Date _____

Model Specified _____ Quantity _____

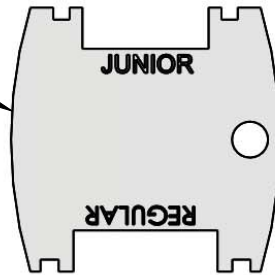
Customer/Wholesaler _____

Contractor _____

Architect/Engineer _____



Furnished with Vandal Resistant Key



Product Specifications:
Vandal Resistant 0.35 GPM Non-Aerated Spray Device,
55-64-27 UN Female w/ Installation Key

Drawn

DMH

Checked

JRM

Approved

JHB

Scale:

1:1

Date:

04/18/11