



T&S BRASS AND BRONZE WORKS, INC.

2 Saddleback Cove / P.O. Box 1088
Travelers Rest, SC 29690



REG. #A2601
ISO #9001

Model No.

B-0199-07-WS

Item No.

Travelers Rest, SC: 800-476-4103 Simi Valley, CA: 800-423-0150 Fax: 864-834-3518 www.tsbrass.com

This Space for Architect/Engineer Approval

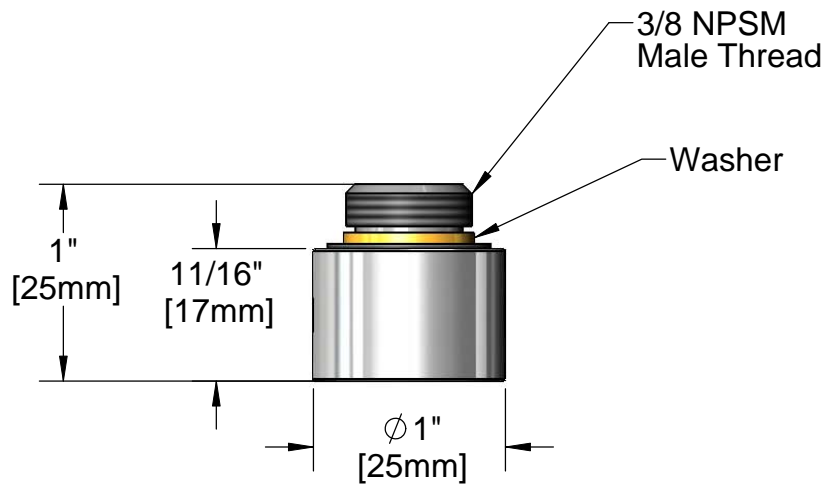
Job Name _____ Date _____

Model Specified _____ Quantity _____

Customer/Wholesaler _____

Contractor _____

Architect/Engineer _____



Furnished with Vandal Resistant Aerator Key

Product Specifications:

**Vandal Resistant 1.5 GPM Aerator (WaterSense)
w/ 3/8 NPSM Male Thread & Installation Key**

Drawn

DMH

Checked

JRM

Approved

JHB

Scale:

1:1

Date:

07/02/10