



T&S BRASS AND BRONZE WORKS, INC.

2 Saddleback Cove / P.O. Box 1088
Travelers Rest, SC 29690



REG. #A2601
ISO #9001

Model No.
B-0199-09-LF10

Item No.

Travelers Rest, SC: 800-476-4103 Simi Valley, CA: 800-423-0150 Fax: 864-834-3518 www.tsbrass.com

This Space for Architect/Engineer Approval

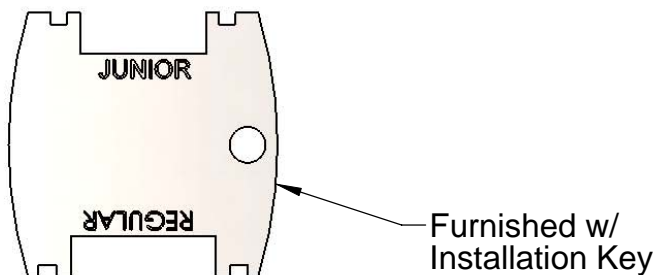
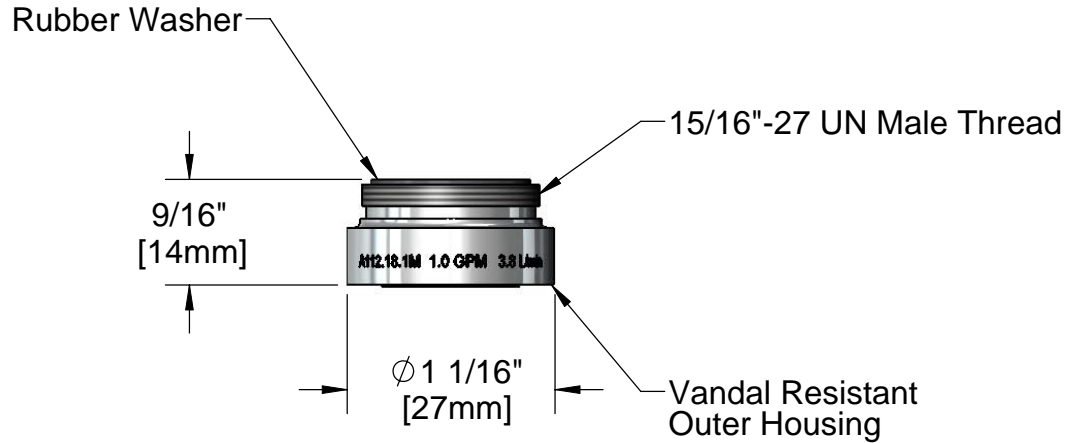
Job Name _____ Date _____

Model Specified _____ Quantity _____

Customer/Wholesaler _____

Contractor _____

Architect/Engineer _____



Product Specifications:

Laminar Flow Device, 15/16"-27 UN Male Thread,
Vandal Resistant Housing, 1.0 GPM (3.8 L/min)

Drawn DMH	Checked DHL	Approved JHB
Scale: 1:1		Date: 08/24/09