



T&S BRASS AND BRONZE WORKS, INC.
 2 SADDLEBACK COVE / P.O. BOX 1088 / TRAVELERS REST, SC 29690
 PHONE 800-476-4103 - FAX 864- 834-3518



Model No.

B-0200-CR-LN

**RELIABILITY
 BUILT IN**

Job Name:

Architect/Engineer Approval:

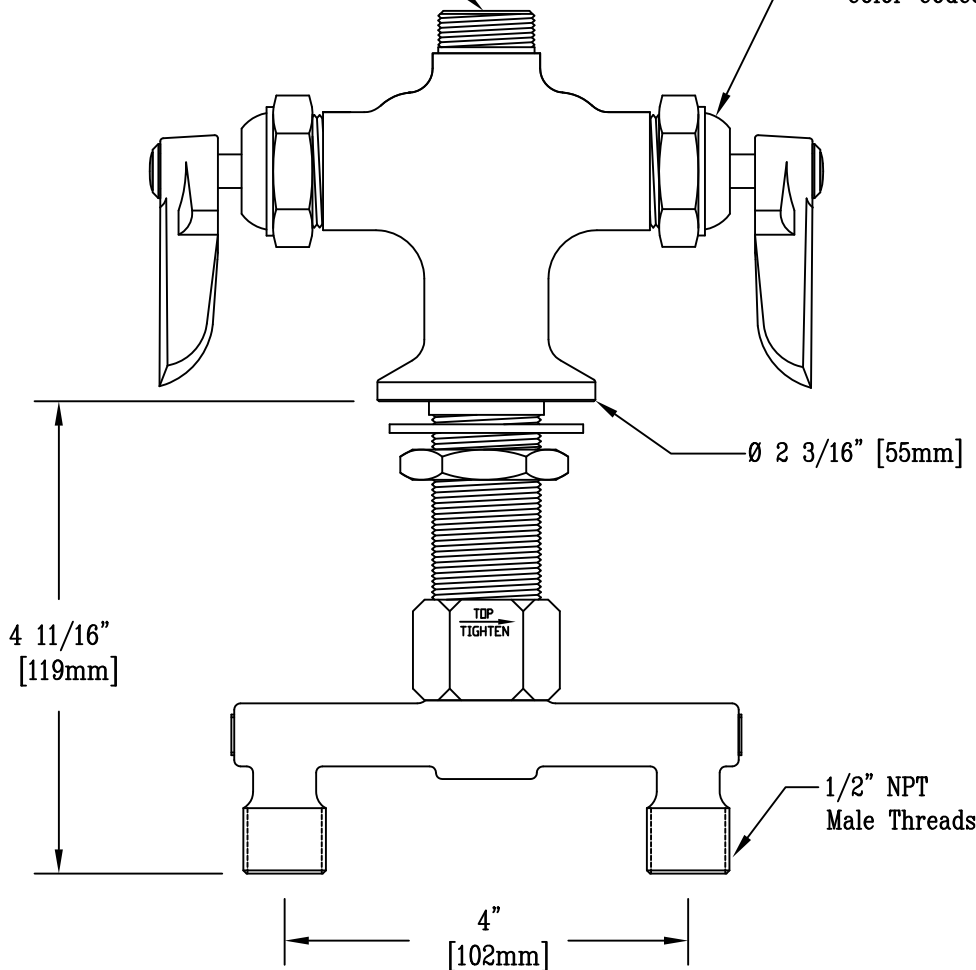
Notes:



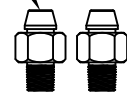
ADA COMPLIANT

Swivel Outlet
 Accepts Standard
 T&S Swing Nozzles

Cerama Cartridges &
 Lever Handles w/
 Color Coded Indexes



150A Tailpieces
 and Nut Furnished
 for Optional
 1/4" NPT
 Connection



Note: Rough-In Requirement
 Ø 1 1/2" [38mm] Mounting Hole
 Ø 1 1/4" [32mm] Minimum

Product Description:

Double Pantry Faucet
 (Less Nozzle) w/ Cerama Cartridges

Drawn:

DHL

Checked

KJG

Scale:

1:2

Approved

JHB

Date:

03/02/11