



T&S BRASS AND BRONZE WORKS, INC.

2 Saddleback Cove / P.O. Box 1088
Travelers Rest, SC 29690



REG. #A2601
ISO #9001

Model No.
B-0200

Item No.

Travelers Rest, SC: 800-476-4103 Simi Valley, CA: 800-423-0150 Fax: 864-834-3518 www.tsbrass.com

This Space for Architect/Engineer Approval

Job Name _____ Date _____

Model Specified _____ Quantity _____

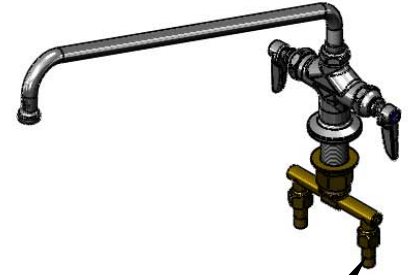
Customer/Wholesaler _____

Contractor _____

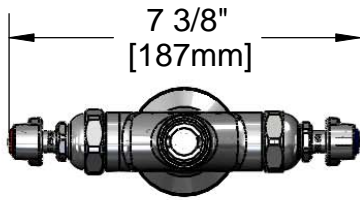
Architect/Engineer _____



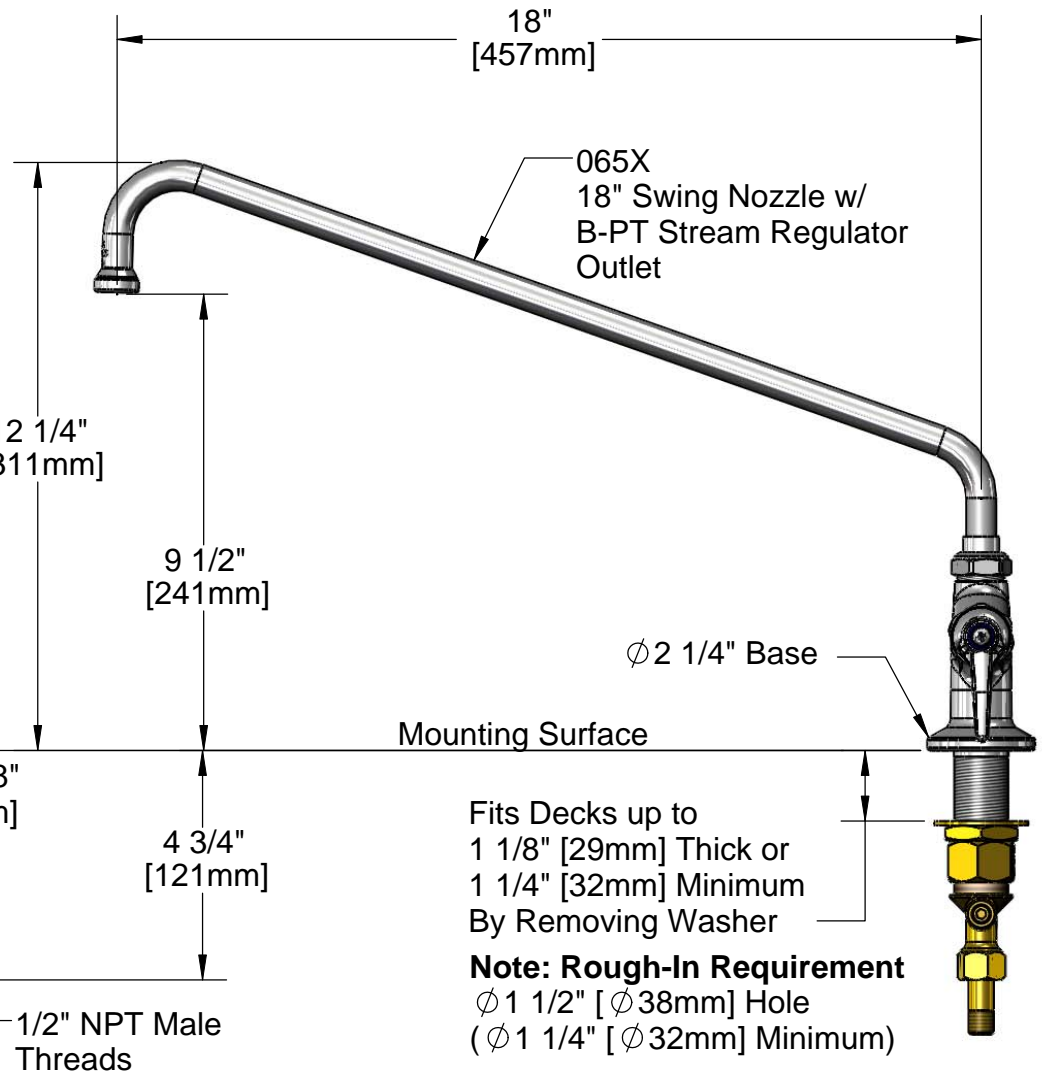
ADA Compliant



(2) 150A
Tailpiece and Nut
for 1/4" NPT Connection

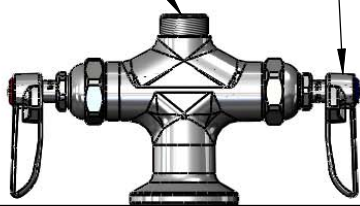


Top View
Less Nozzle



Eterna Cartridges &
Lever Handles w/
Color Coded Indexes

Nozzle not
Shown



Fits Decks up to
1 1/8" [29mm] Thick or
1 1/4" [32mm] Minimum
By Removing Washer

Note: Rough-In Requirement
Ø 1 1/2" [Ø 38mm] Hole
(Ø 1 1/4" [Ø 32mm] Minimum)

Product Specifications:

**Double Pantry Faucet w/ Eterna Cartridges, Lever Handles,
18" Swing Nozzle, & B-PT Stream Regulator Outlet**

Drawn KJG	Checked JRM	Approved JHB
Scale: 1:4		Date: 06/16/10



T&S BRASS AND BRONZE WORKS, INC.

2 Saddleback Cove / P.O. Box 1088
Travelers Rest, SC 29690



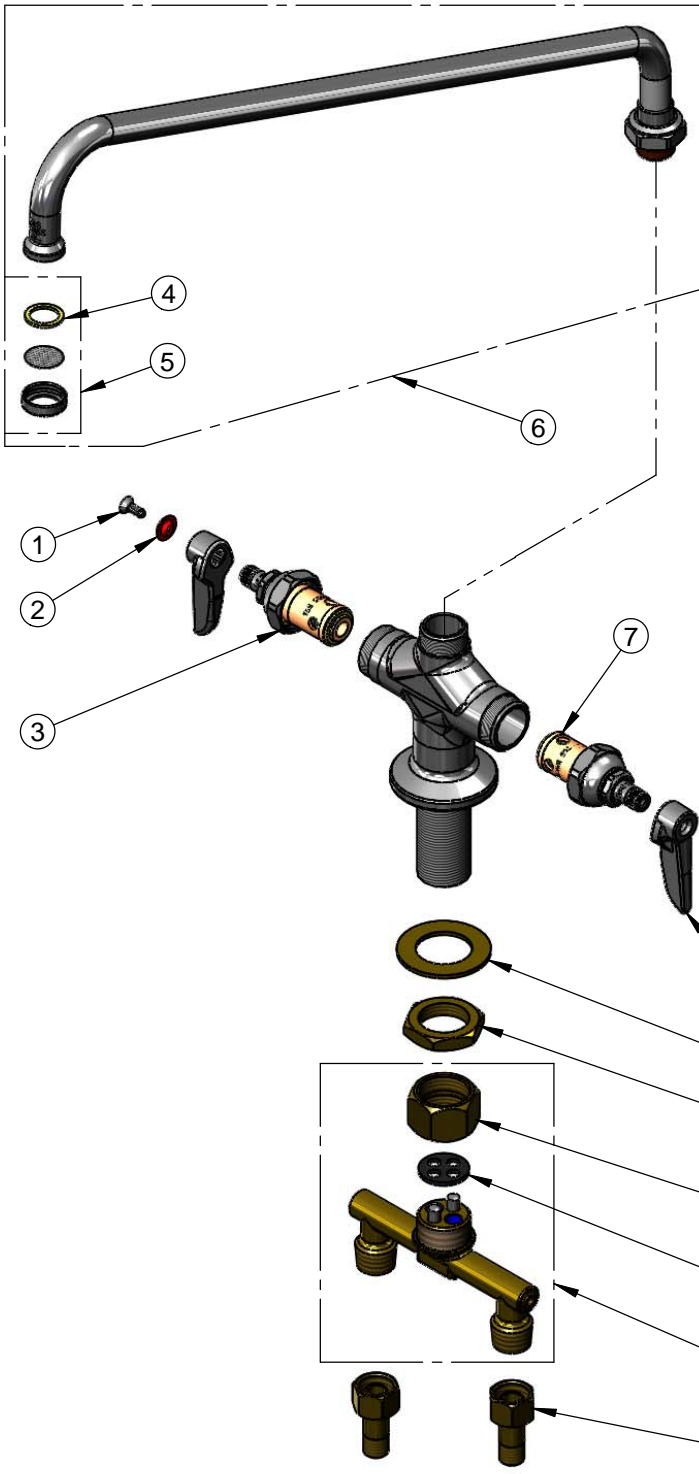
REG. #A2601
ISO #9001

Model No.

B-0200

Item No.

Travelers Rest, SC: 800-476-4103 Simi Valley, CA: 800-423-0150 Fax: 864-834-3518 www.tsbrass.com



ITEM NO.	SALES NO.	DESCRIPTION
1	000922-45	Lever Handle Screw
2	001661-45	Red Index-HW
3	005960-40	Spindle Asm, Eterna "Hot"
4	001048-45	Nozzle Tip Washer
5	B-PT	Stream Regulator Assembly
6	065X	18" Swing Nozzle Assembly
7	005959-40	Spindle Asm. Eterna "Cold"
8	001660-45	Blue Index-CW
9	001638-45	Lever Handle
10	002290-45	Lock Washer
11	000965-45	Lock Nut
12	000736-20	Spreader Coupler Nut
13	001041-45	Spreader Washer
14	002898-40	4" Spreader Unit
15	150A	Bag of (1) Nut & (1) Tailpiece

Product Specifications:

Double Pantry Faucet w/ Eterna Cartridges, Lever Handles, 18" Swing Nozzle, & B-PT Stream Regulator Outlet

Drawn KJG	Checked JRM	Approved JHB
Scale: NTS		Date: 06/16/10