



T&S BRASS AND BRONZE WORKS, INC.

2 Saddleback Cove / P.O. Box 1088
Travelers Rest, SC 29690

Model No.

B-0202

Item No.

Travelers Rest, SC: 800-476-4103 • Simi Valley, CA: 800-423-0150 • Fax: 864-834-3518 • www.tsbrass.com

This Space for Architect/Engineer Approval

Job Name _____ Date _____

Model Specified _____ Quantity _____

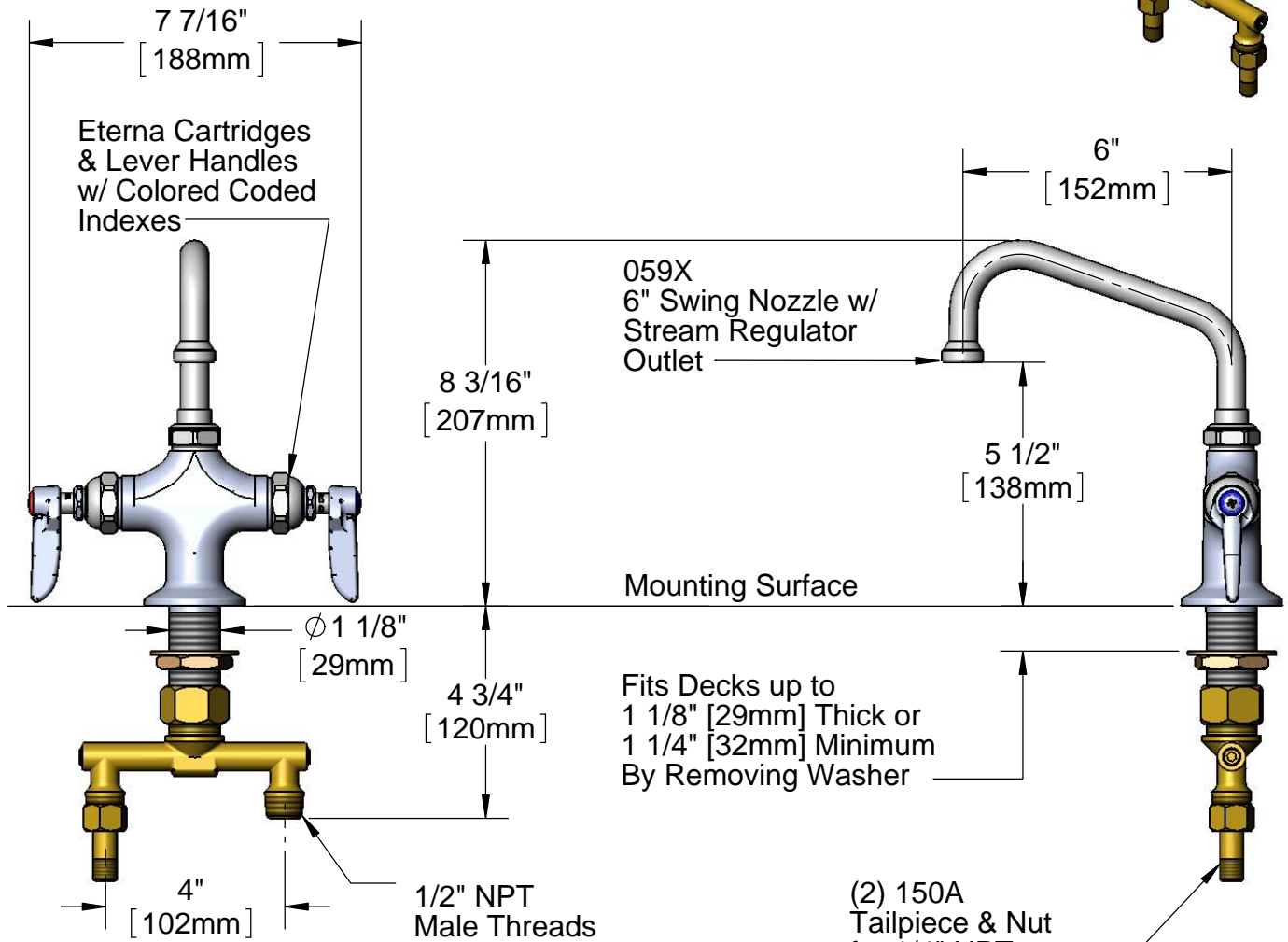
Customer/Wholesaler _____

Contractor _____

Architect/Engineer _____



ADA Compliant



Note: Rough-In Requirements
Ø 1 1/2" [38mm] Hole
(Ø 1 1/4" [32mm] Minimum)

Product Specifications:
Single Hole Deck Mount Mixing Faucet w/ Eterna Cartridges, Lever Handles & 6" Swing Nozzle w/ Stream Regulator Outlet

Drawn DHL	Checked KJG	Approved JHB
Scale: 1:4		Date: 11/10/11



T&S BRASS AND BRONZE WORKS, INC.

2 Saddleback Cove / P.O. Box 1088
Travelers Rest, SC 29690

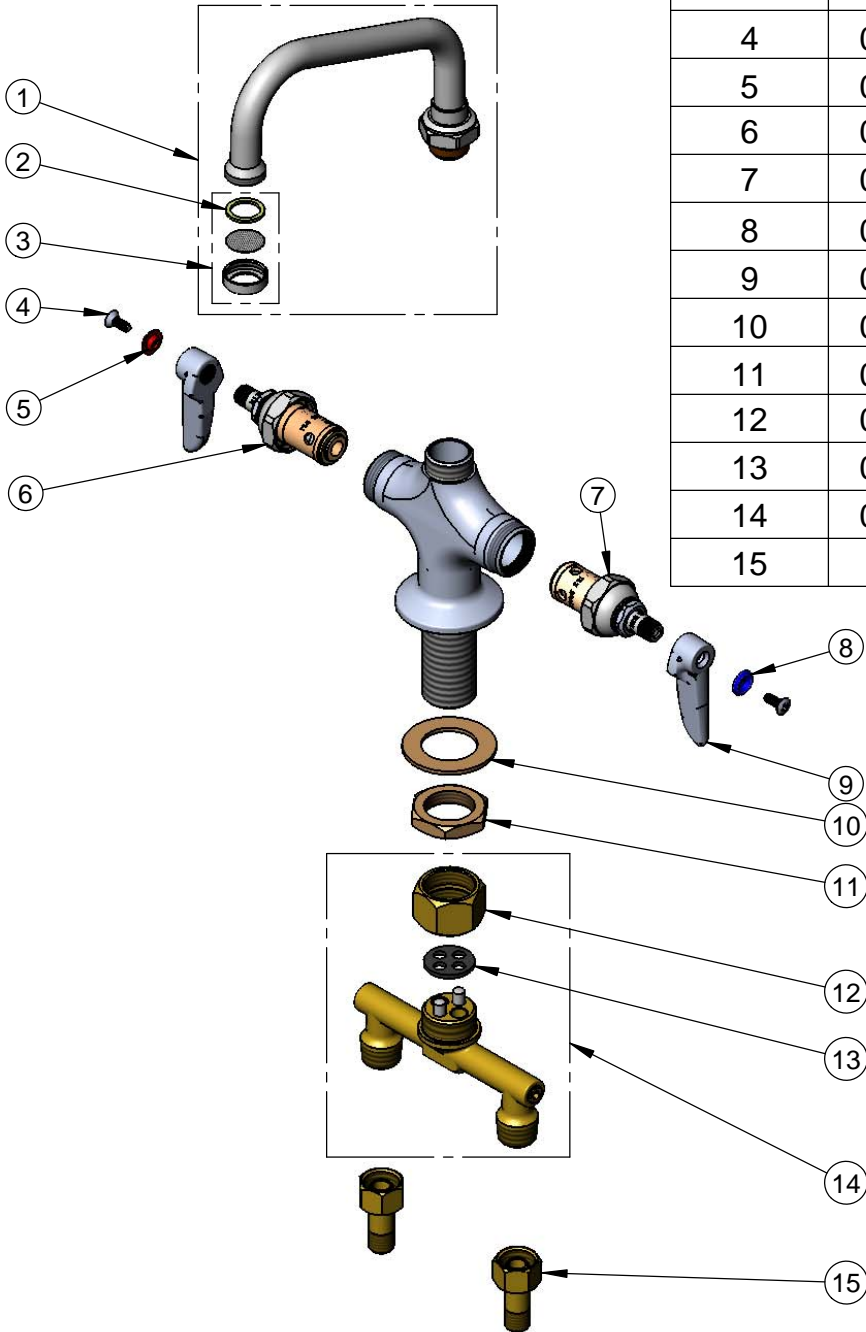
Model No.

B-0202

Item No.

Travelers Rest, SC: 800-476-4103 • Simi Valley, CA: 800-423-0150 • Fax: 864-834-3518 • www.tsbrass.com

ITEM NO.	SALES NO.	DESCRIPTION
1	059X	6" Swing Nozzle
2	001048-45	Nozzle Tip Washer
3	B-PT	Stream Regulator Outlet
4	000922-45	Lever Handle Screw
5	001661-45	Red Index-HW
6	005960-40	Eterna Cartridge, LTC
7	005959-40	Eterna Cartridge, RTC
8	001660-45	Blue Index-CW
9	001638-45	Lever Handle
10	002290-45	Lock Washer
11	000965-45	Lock Nut
12	000736-20	Spreader Coupler Nut
13	001041-45	Spreader Washer
14	002898-40	4" Spreader Unit
15	150A	Bag of (1) Nut & (1) Tailpiece



Product Specifications:

Single Hole Deck Mount Mixing Faucet w/ Eterna Cartridges, Lever Handles & 6" Swing Nozzle w/ Stream Regulator Outlet

Drawn

DHL

Checked

KJG

Approved

JHB

Scale:

NTS

Date:

11/10/11