



**T&S BRASS AND BRONZE WORKS, INC.**

2 Saddleback Cove / P.O. Box 1088  
Travelers Rest, SC 29690

Model No.

**B-0207**

Item No.

Travelers Rest, SC: 800-476-4103 • Simi Valley, CA: 800-423-0150 • Fax: 864-834-3518 • www.tsbrass.com

This Space for Architect/Engineer Approval

Job Name \_\_\_\_\_ Date \_\_\_\_\_

Model Specified \_\_\_\_\_ Quantity \_\_\_\_\_

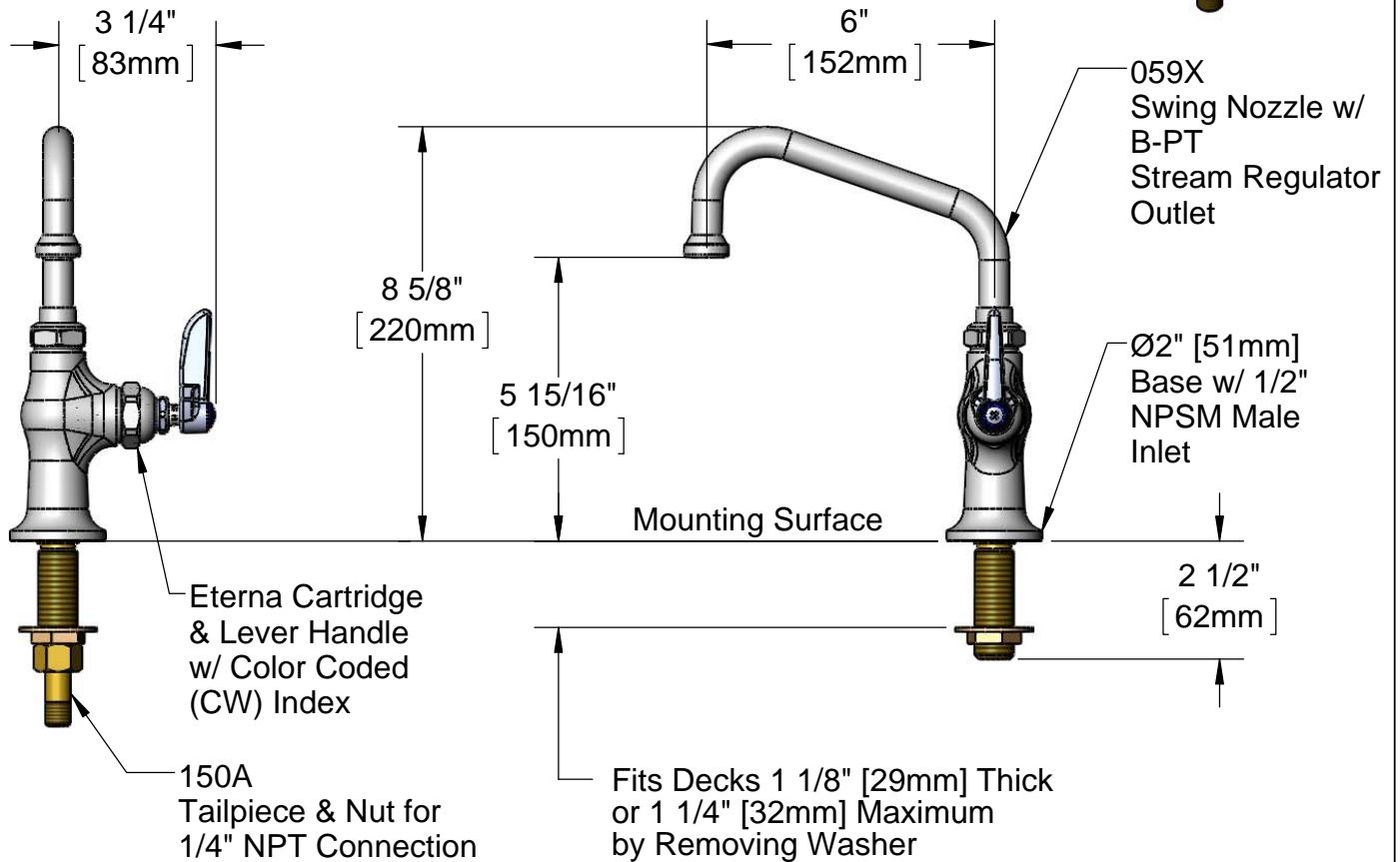
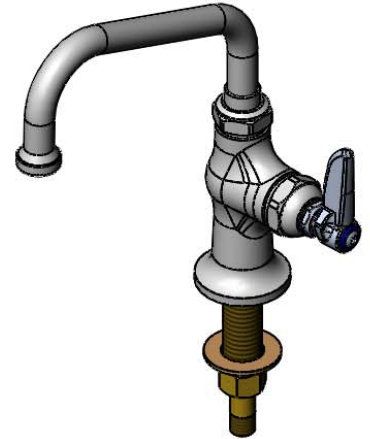
Customer/Wholesaler \_\_\_\_\_

Contractor \_\_\_\_\_

Architect/Engineer \_\_\_\_\_



**ADA Compliant**



Note: Rough-In Requirement  
Ø 1" [25mm] Mounting Hole

Product Specifications:

Single Pantry Faucet w/ Eterna Cartridge, 6" Swing Nozzle w/ B-PT Stream Regulator Outlet, Lever Handle & Tailpiece

Drawn

**DHL**

Checked

**KJG**

Approved

**JHB**

Scale:

**1:4**

Date:

**11/10/11**



# T&S BRASS AND BRONZE WORKS, INC.

2 Saddleback Cove / P.O. Box 1088  
Travelers Rest, SC 29690

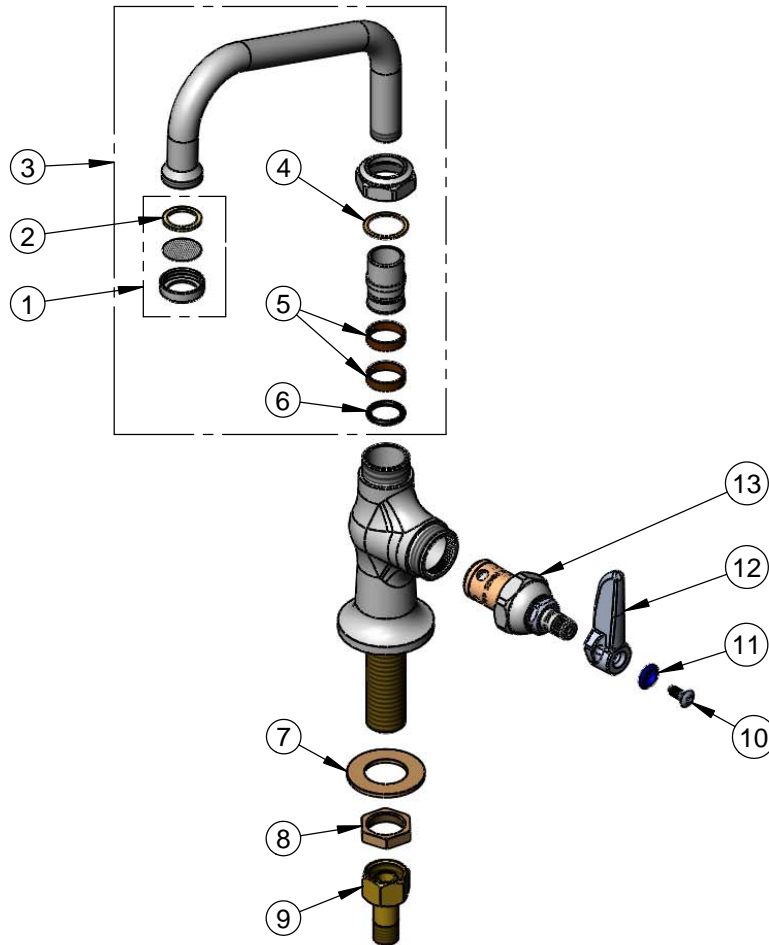
Model No.

**B-0207**

Item No.

Travelers Rest, SC: 800-476-4103 • Simi Valley, CA: 800-423-0150 • Fax: 864-834-3518 • www.tsbrass.com

ITEM NO.	SALES NO.	DESCRIPTION
1	B-PT	Stream Regulator Assembly
2	001048-45	Nozzle Tip Washer
3	059X	6" Swing Nozzle Assembly
4	009538-45	Swivel Washer
5	011429-45	Swivel Sleeves (2)
6	001074-45	O-Ring
7	000999-45	Brass Lock Washer
8	002954-45	Shank Lock Nut
9	150A	Bag of (1) Nut & (1) Tailpiece
10	000922-45	Lever Handle Screw
11	001660-45	Blue Index-CW
12	001638-45	Lever Handle
13	005960-40	Eterna Cartridge, RTC



**Product Specifications:**

Single Pantry Faucet w/ Eterna Cartridge, 6" Swing Nozzle w/ B-PT Stream Regulator Outlet, Lever Handle & Tailpiece

Drawn

**DHL**

Checked

**KJG**

Approved

**JHB**

Scale:

**NTS**

Date:

**11/10/11**