



T&S BRASS AND BRONZE WORKS, INC.

2 Saddleback Cove / P.O. Box 1088
Travelers Rest, SC 29690



REG. #A2601
ISO #9001

Model No.

B-0208-CR-HW

Item No.

Travelers Rest, SC: 800-476-4103 Simi Valley, CA: 800-423-0150 Fax: 864-834-3518 www.tsbrass.com

This Space for Architect/Engineer Approval

Job Name _____ Date _____

Model Specified _____ Quantity _____

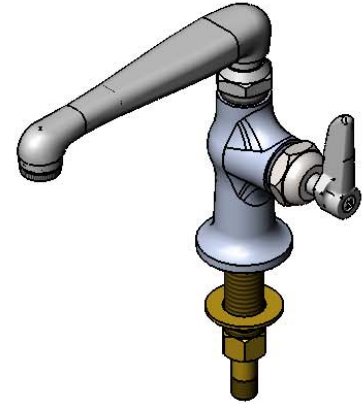
Customer/Wholesaler _____

Contractor _____

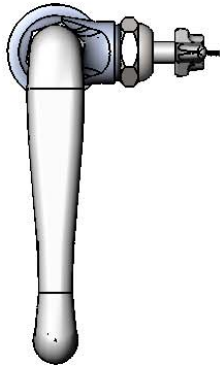
Architect/Engineer _____



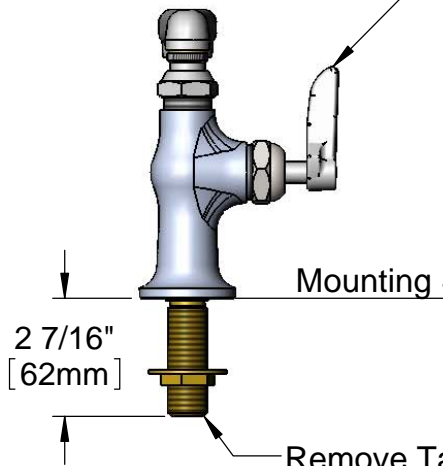
ADA Compliant



0CS6-LT
6" Swivel Cast Spout w/
B-LT
Stream Regulator Outlet
(Optional Swivel/Rigid
Washer Included)



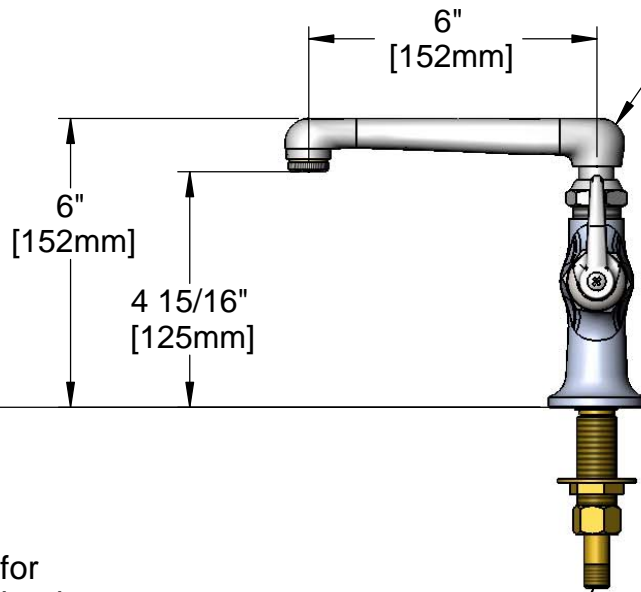
Cerama Cartridge & Lever
Handle w/ Red (HW) Index



Mounting Surface

2 7/16"
[62mm]

Remove Tailpiece for
1/2" NPSM Male Shank



150A
1/4" NPT Male Tailpiece

Rough-In Requirement:
Ø 1" [25mm] Mounting Hole

Product Specifications:

Single Temperature Deck Mount Faucet w/ 1/2" NPSM Male Shank, Cerama Cartridge, Lever Handle w/ Red (HW) Index & 6" Cast Spout w/ B-LT Stream Regulator Outlet

Drawn DHL	Checked JRM	Approved JHB
Scale: 1:4		Date: 01/17/11



T&S BRASS AND BRONZE WORKS, INC.

2 Saddleback Cove / P.O. Box 1088
Travelers Rest, SC 29690



REG. #A2601
ISO #9001

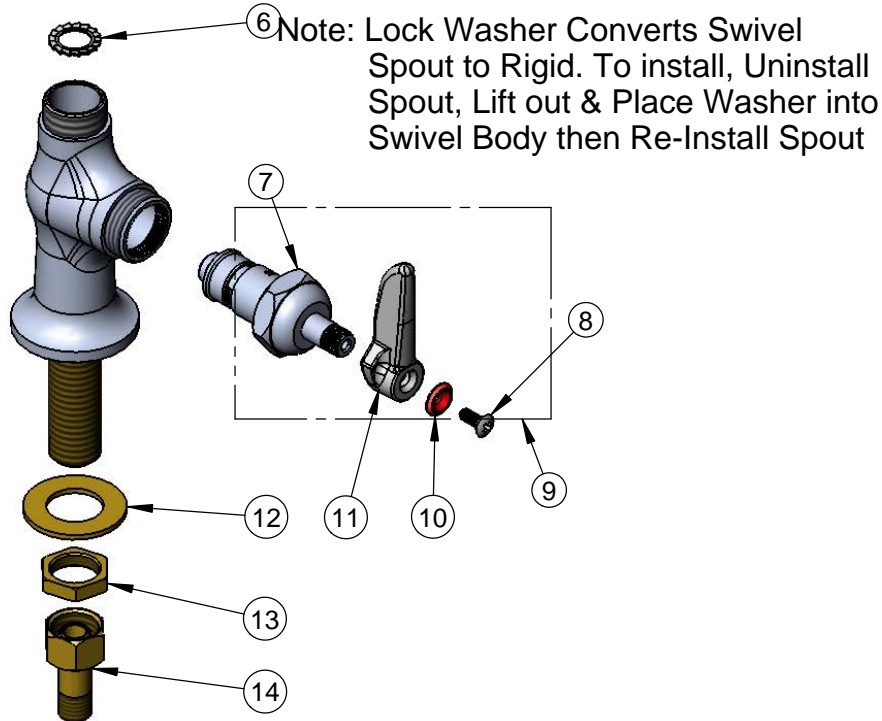
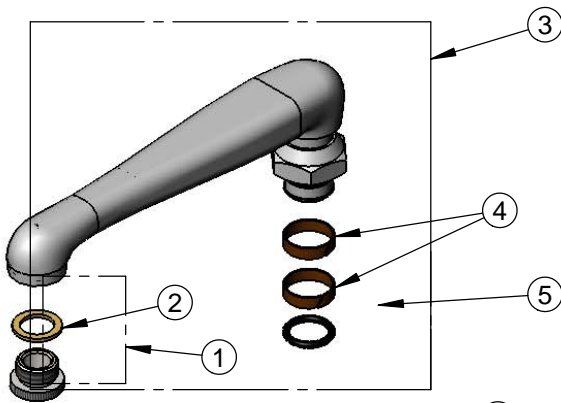
Model No.

B-0208-CR-HW

Item No.

Travelers Rest, SC: 800-476-4103 Simi Valley, CA: 800-423-0150 Fax: 864-834-3518 www.tsbrass.com

ITEM NO.	SALES NO.	DESCRIPTION
1	B-LT	Stream Regulator Outlet
2	001043-45	Washer
3	OCS6-LT	6" Swivel Cast Spout w/ B-LT Stream Regulator Outlet
4	011429-45	Swivel Sleeves (2)
5	001074-45	O-Ring
6	014200-45	Star Washer, Anti-Rotation
7	011278-25	Cerama Cartridge RTC
8	000922-45	Lever Handle Screw
9	012444-25	Hot Cerama Cartridge w/ Handle, Index & Screw
10	001661-45	Red Index-HW
11	001638-45	Lever Handle
12	000999-45	Brass Lock Washer
13	002954-45	Shank Lock Nut
14	150A	Bag of (1) Nut & (1) Tailpiece



Product Specifications:

Single Temperature Deck Mount Faucet w/ 1/2" NPSM Male Shank, Cerama Cartridge, Lever Handle w/ Red (HW) Index & 6" Cast Spout w/ B-LT Stream Regulator Outlet

Drawn DHL	Checked JRM	Approved JHB
Scale: NTS		Date: 01/17/11