



T&S BRASS AND BRONZE WORKS, INC.

2 Saddleback Cove / P.O. Box 1088
Travelers Rest, SC 29690



REG. #A2601
ISO #9001

Model No.
B-0208-CR

Item No.

Travelers Rest, SC: 800-476-4103 Simi Valley, CA: 800-423-0150 Fax: 864-834-3518 www.tsbrass.com

This Space for Architect/Engineer Approval

Job Name _____ Date _____

Model Specified _____ Quantity _____

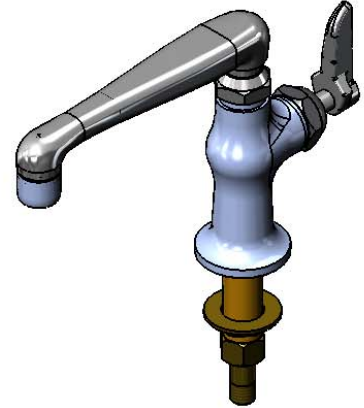
Customer/Wholesaler _____

Contractor _____

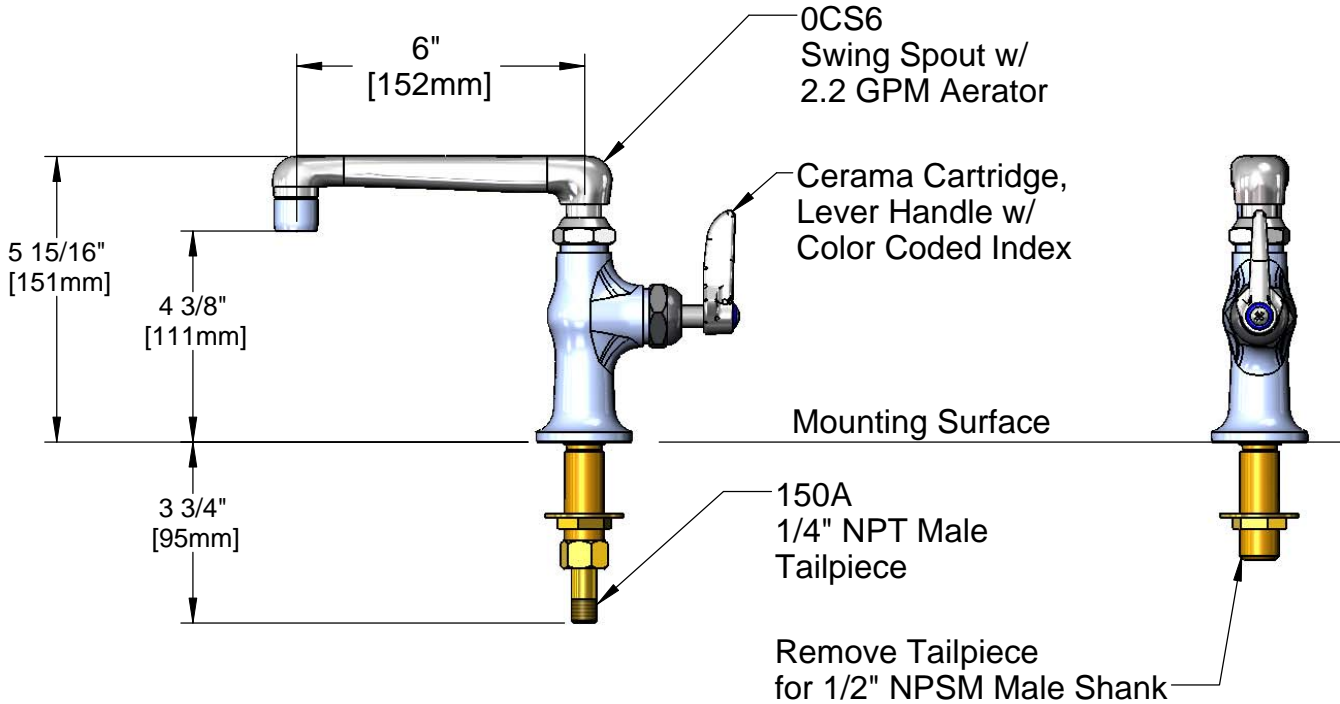
Architect/Engineer _____



ADA Compliant



Ø 7/8"
[22mm]



Product Specifications:
Single Temperature Deck Mount Faucet w/ 1/2" NPSM Male Shank, Cerama Cartridge, Lever Handle, & 6" Cast Spout w/ 2.2 GPM Aerator

Drawn
KJG

Checked
GEF

Approved
JHB

Scale:

1:4

Date:

10/12/10



T&S BRASS AND BRONZE WORKS, INC.

2 Saddleback Cove / P.O. Box 1088
Travelers Rest, SC 29690



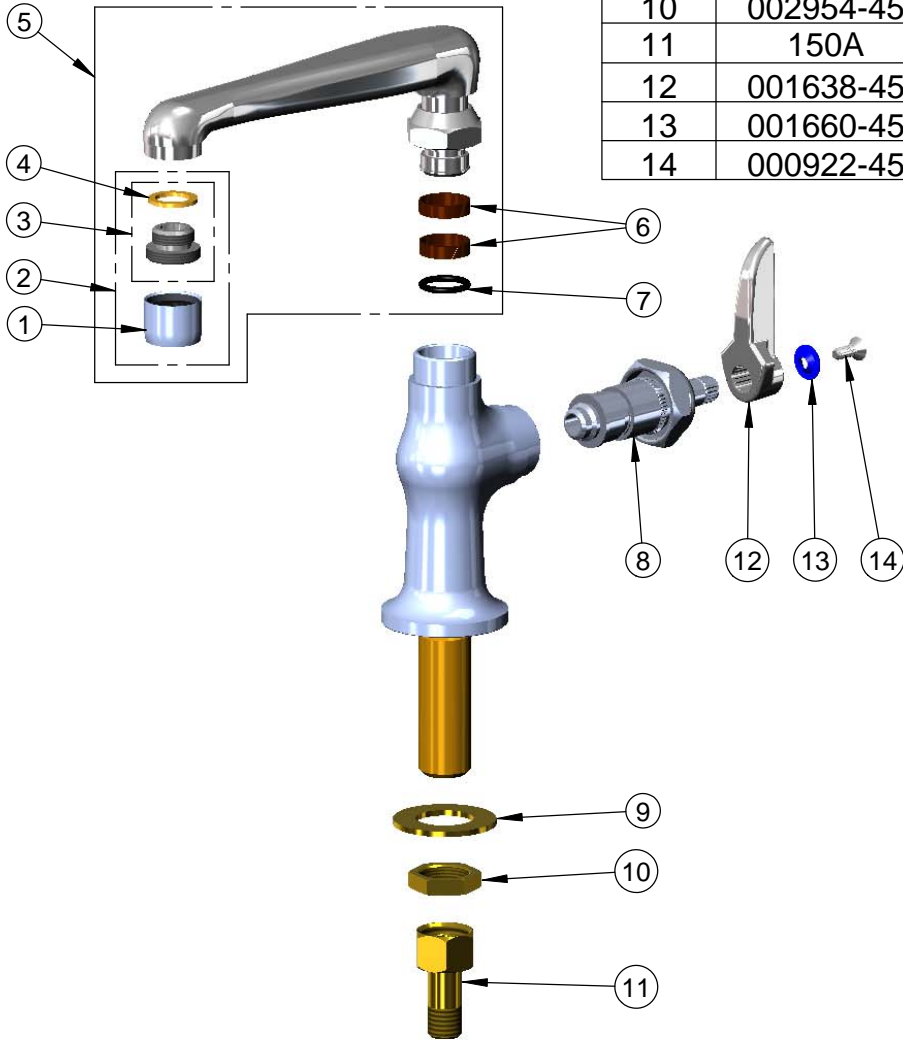
REG. #A2601
ISO #9001

Model No.
B-0208-CR

Item No.

Travelers Rest, SC: 800-476-4103 Simi Valley, CA: 800-423-0150 Fax: 864-834-3518 www.tsbrass.com

ITEM NO.	SALES NO.	DESCRIPTION
1	B-0199-01	2.2 GPM Aerator, Female
2	B-0199-02	2.2 GPM Aerator w/ 3/8" NPT Male Thread Adapter
3	044A	3/8" to Aerator Adapter
4	001043-45	Washer
5	0CS6	6" Cast Spout
6	011429-45	Swivel Sleeve
7	001074-45	O-Ring
8	011278-25	Cerama Cartridge RTC
9	000999-45	Brass Lock Washer
10	002954-45	Shank Lock Nut
11	150A	Bag of (1) Nut & (1) Tailpiece
12	001638-45	Lever Handle
13	001660-45	Blue Index-CW
14	000922-45	Lever Handle Screw



Product Specifications:

Single Temperature Deck Mount Faucet w/ 1/2" NPSM Male Shank, Cerama Cartridge, Lever Handle, & 6" Cast Spout w/ 2.2 GPM Aerator

Drawn KJG	Checked GEF	Approved JHB
Scale: NTS		Date: 10/12/10