



T&S BRASS AND BRONZE WORKS, INC.
 2 Saddleback Cove / P.O. Box 1088
 Travelers Rest, SC 29690

Model No.
B-0210-131X-CR4

Item No.

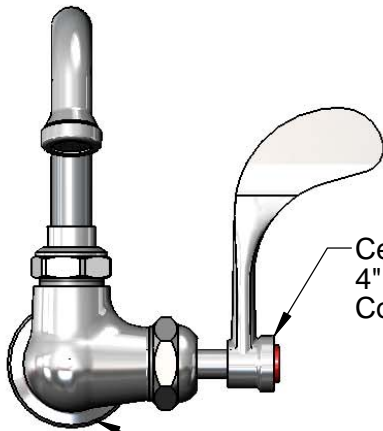
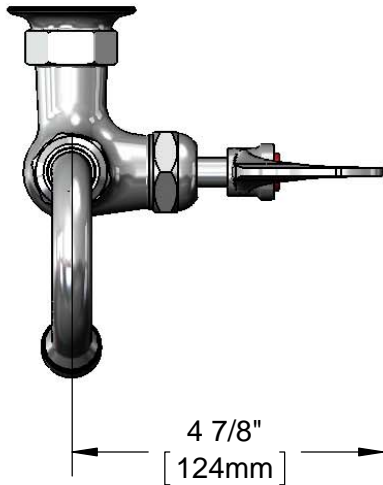
Travelers Rest, SC: 800-476-4103 • Simi Valley, CA: 800-423-0150 • Fax: 864-834-3518 • www.tsbrass.com

This Space for Architect/Engineer Approval

Job Name _____ Date _____
 Model Specified _____ Quantity _____
 Customer/Wholesaler _____
 Contractor _____
 Architect/Engineer _____



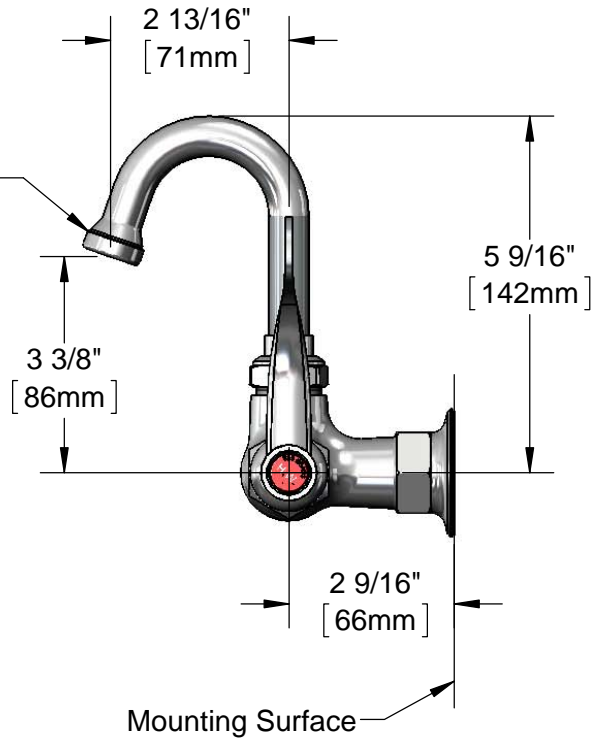
ADA Compliant



131X
 Swivel Gooseneck w/
 Stream Regulator Outlet

Cerama Cartridges &
 4" Wrist Action Handle w/
 Color Coded (HW) Index

Ø 2" [51mm]
 Flange w/
 1/2" NPT
 Female Inlet



Product Specifications:

Single Supply Wall Mount Faucet, Cerama Cartridge, 4" Wrist Action Handle, Swivel Gooseneck w/ Stream Regulator Outlet & 1/2" NPT Female Inlet

Drawn

KJG

Checked

GEF

Approved

JHB

Scale:

1:3

Date:

08/02/13



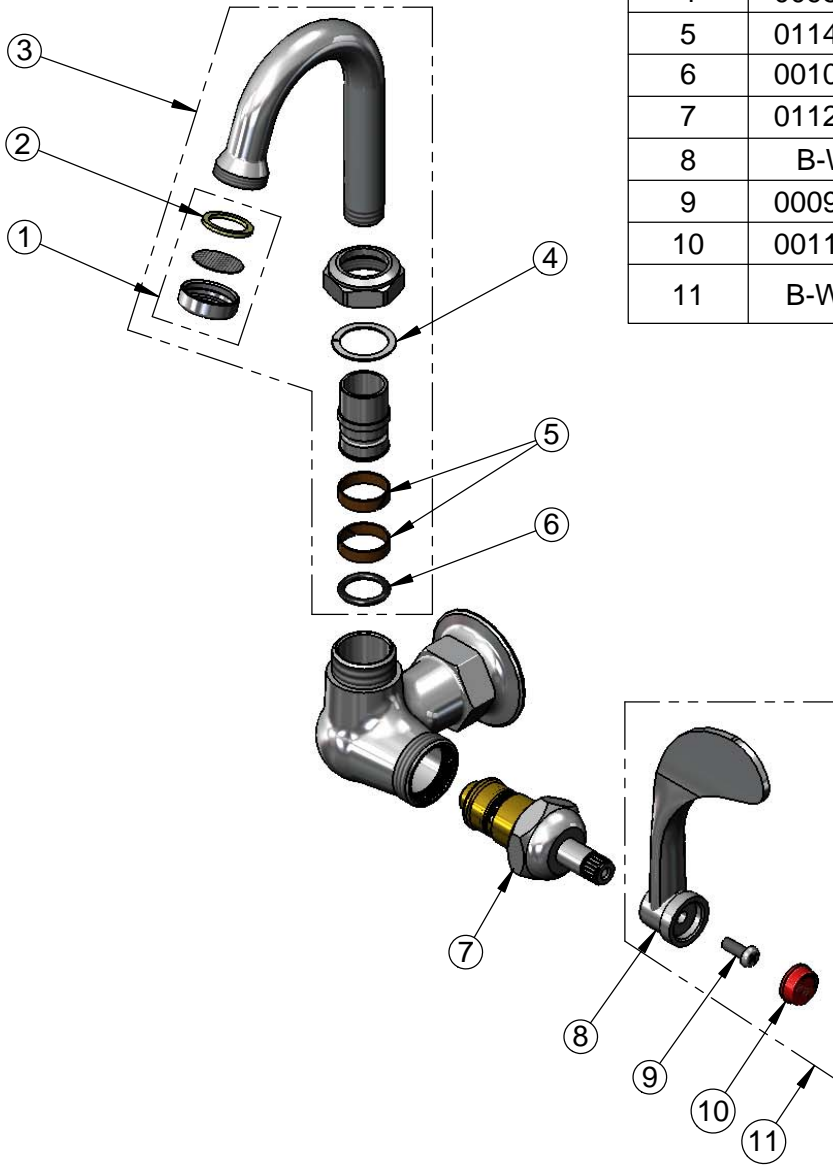
T&S BRASS AND BRONZE WORKS, INC.
 2 Saddleback Cove / P.O. Box 1088
 Travelers Rest, SC 29690

Model No.
B-0210-131X-CR4

Item No.

Travelers Rest, SC: 800-476-4103 • Simi Valley, CA: 800-423-0150 • Fax: 864-834-3518 • www.tsbrass.com

ITEM NO.	SALES NO.	DESCRIPTION
1	B-PT	Stream Regulator Outlet
2	001048-45	Nozzle Tip Washer
3	131X	3" Swivel Gooseneck w/ Stream Regulator Outlet
4	009538-45	Swivel Washer
5	011429-45	Swivel Sleeves (2)
6	001074-45	O-Ring
7	011278-25	Cerama Cartridge, RTC
8	B-WH4	4" Wrist Action Handle
9	000925-45	Lab Handle Screw
10	001194-45	Red HW Index
11	B-WH4H	4" Wrist Action Handle, Screw & Hot Index



Product Specifications:
 Single Supply Wall Mount Faucet, Cerama Cartridge, 4" Wrist Action Handle, Swivel Gooseneck w/ Stream Regulator Outlet & 1/2" NPT Female Inlet

Drawn KJG	Checked GEF	Approved JHB
Scale: NTS		Date: 08/02/13