



T&S BRASS AND BRONZE WORKS, INC.
 2 SADDLEBACK COVE / P.O. BOX 1088 / TRAVELERS REST, SC 29690
 PHONE 800-476-4103 FAX 864- 834-3518



REG.#A2601
 ISO #9002

Model No.

B-0220-CR-SC

Item No.:

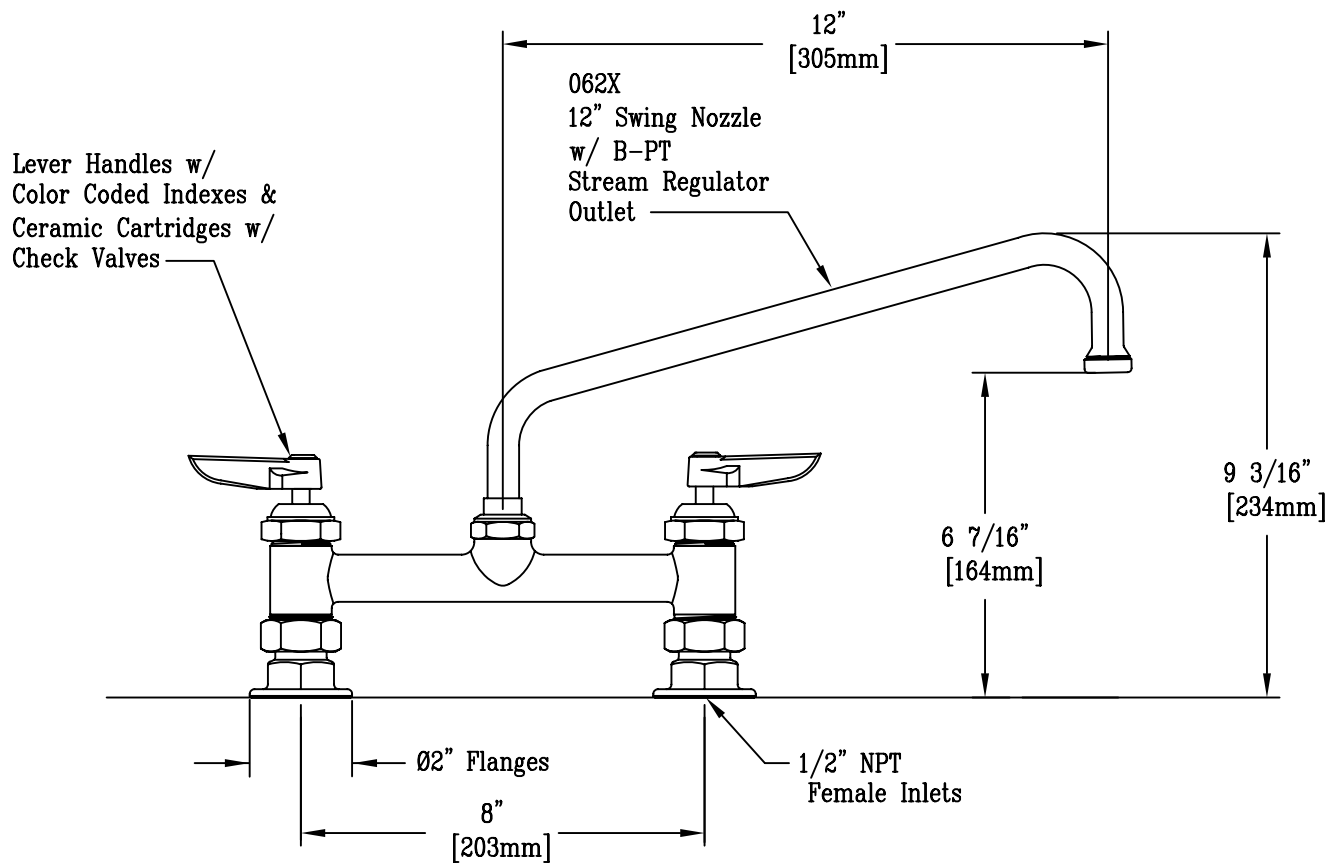
Job Name:

Architect/Engineer Approval:

Notes:



ADA Compliant



Product Description:
 8" c/c Deck Mount Base Faucet,
 Ceramic Cartridges w/ Check Valves
 & 12" Swing Nozzle

Drawn:

DHL

Checked

KJG

Scale:

1 : 4

Approved

JHB

Date:

08/04/08