



T&S BRASS AND BRONZE WORKS, INC.

2 Saddleback Cove / P.O. Box 1088
Travelers Rest, SC 29690



REG. #A2601
ISO #9001

Model No.
B-0220-EE-061X

Item No.

Travelers Rest, SC: 800-476-4103 Simi Valley, CA: 800-423-0150 Fax: 864-834-3518 www.tsbrass.com

This Space for Architect/Engineer Approval

Job Name _____ Date _____

Model Specified _____ Quantity _____

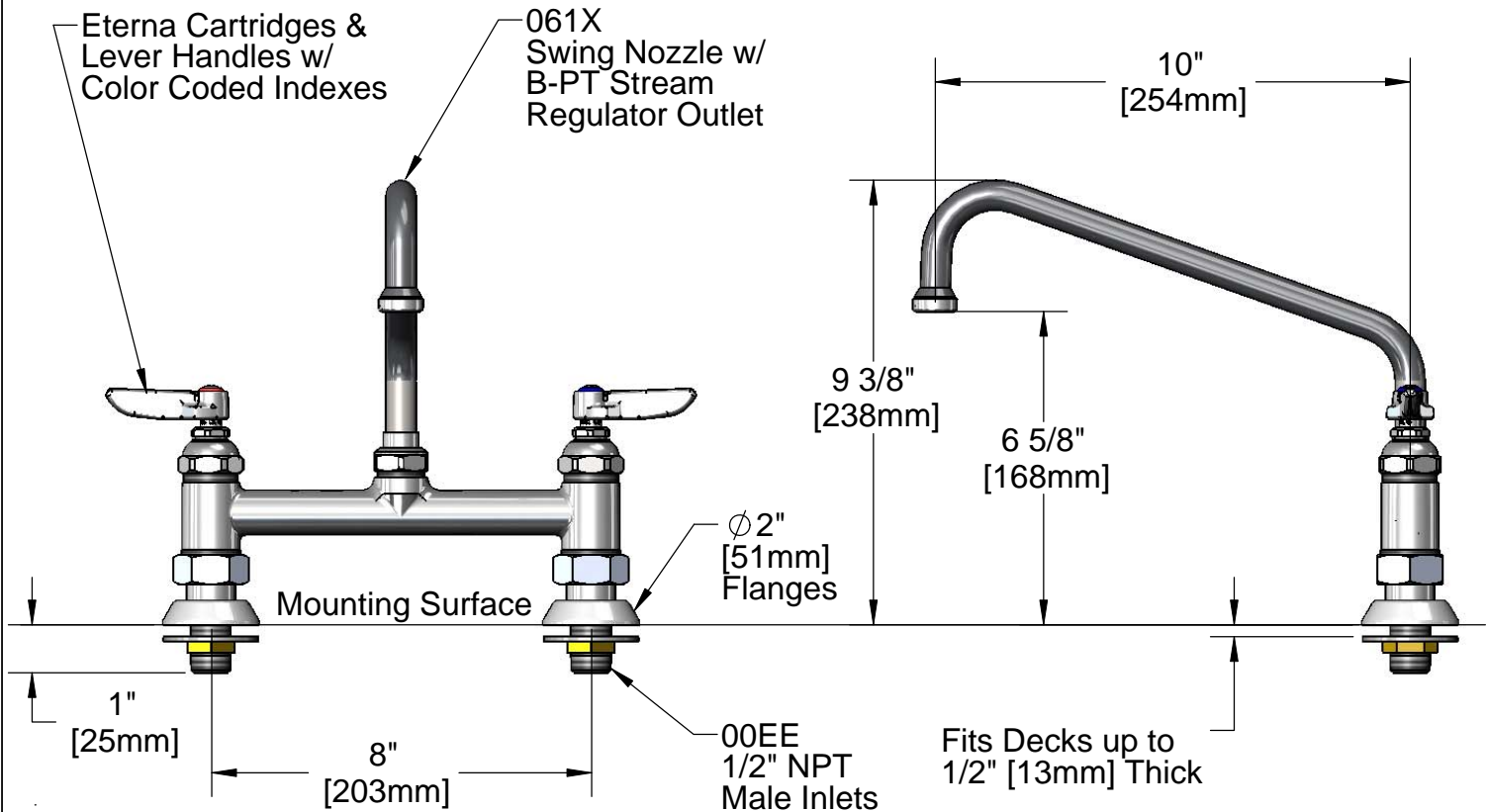
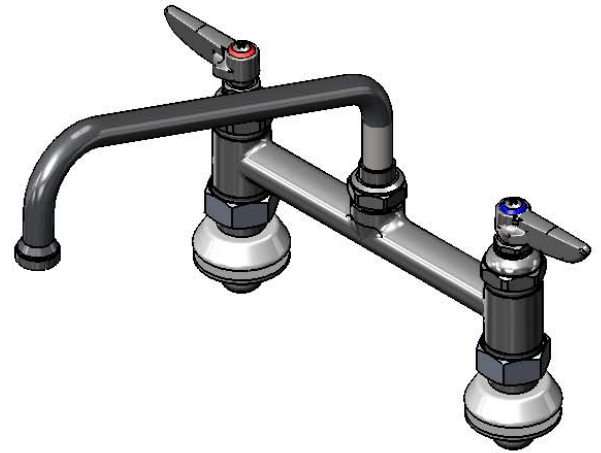
Customer/Wholesaler _____

Contractor _____

Architect/Engineer _____



ADA Compliant



Note: Rough-In Requirement
(2) Ø1" [25mm] Mounting Holes

Product Specifications:

8" c/c Deck Mount Faucet w/ Lever Handles, Eterna Cartridges, 10" Swing Nozzle w/ B-PT Stream Regulator Outlet & 1/2" NPT Male Inlets (00EE)

Drawn KJG	Checked DMH	Approved JHB
Scale: 1:4	Date: 06/01/10	



T&S BRASS AND BRONZE WORKS, INC.

2 Saddleback Cove / P.O. Box 1088
Travelers Rest, SC 29690



REG. #A2601
ISO #9001

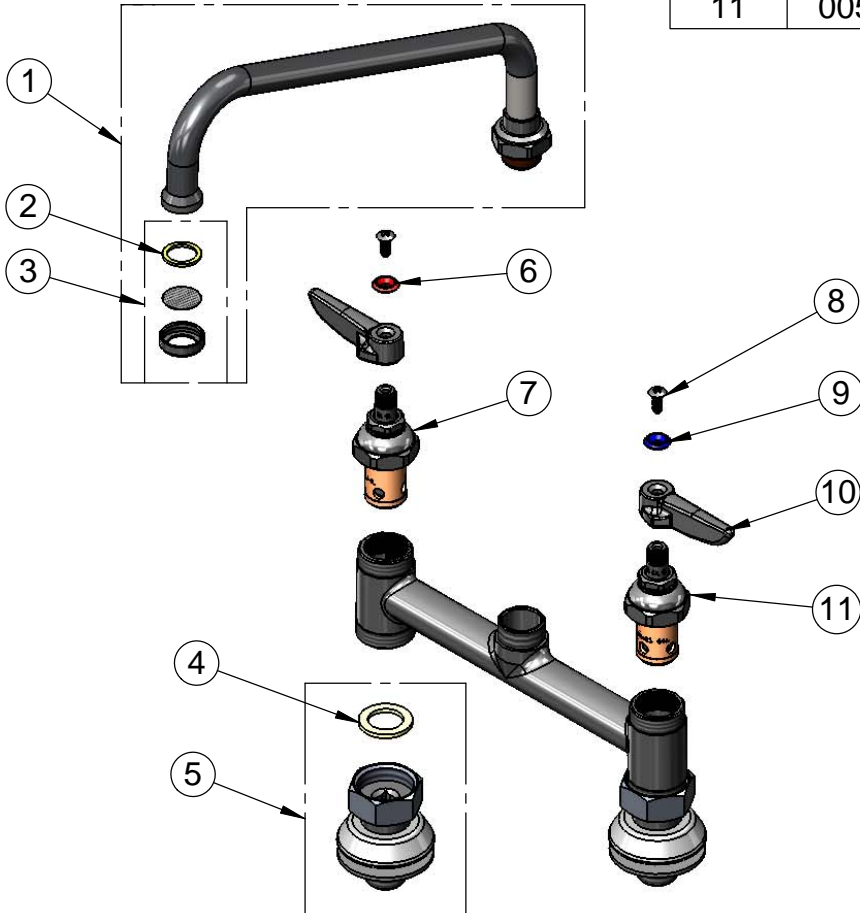
Model No.

B-0220-EE-061X

Item No.

Travelers Rest, SC: 800-476-4103 Simi Valley, CA: 800-423-0150 Fax: 864-834-3518 www.tsbrass.com

ITEM NO.	SALES NO.	DESCRIPTION
1	061X	10" Swing Nozzle
2	001048-45	Nozzle Tip Washer
3	B-PT	Stream Regulator Outlet
4	001019-45	Coupling Nut Washer
5	00EE	1/2" NPT Male Inlet Asm
6	001661-45	Red Index-HW
7	005960-40	Spindle Asm, Eterna "Hot"
8	000922-45	Lever Handle Screw
9	001660-45	Blue Index-CW
10	001638-45	Lever Handle
11	005959-40	Spindle Asm. Eterna "Cold"



Product Specifications:

8" c/c Deck Mount Faucet w/ Lever Handles, Eterna Cartridges, 10" Swing Nozzle w/ B-PT Stream Regulator Outlet & 1/2" NPT Male Inlets (00EE)

Drawn
KJG

Checked
DMH

Approved
JHB

Scale:

1:4

Date:

06/01/10