



# T&S BRASS AND BRONZE WORKS, INC.

2 Saddleback Cove / P.O. Box 1088  
Travelers Rest, SC 29690



REG. #A2601  
ISO #9001

Model No.

**B-0220-EELN**

Item No.

Travelers Rest, SC: 800-476-4103 Simi Valley, CA: 800-423-0150 Fax: 864-834-3518 www.tsbrass.com

This Space for Architect/Engineer Approval

Job Name \_\_\_\_\_ Date \_\_\_\_\_

Model Specified \_\_\_\_\_ Quantity \_\_\_\_\_

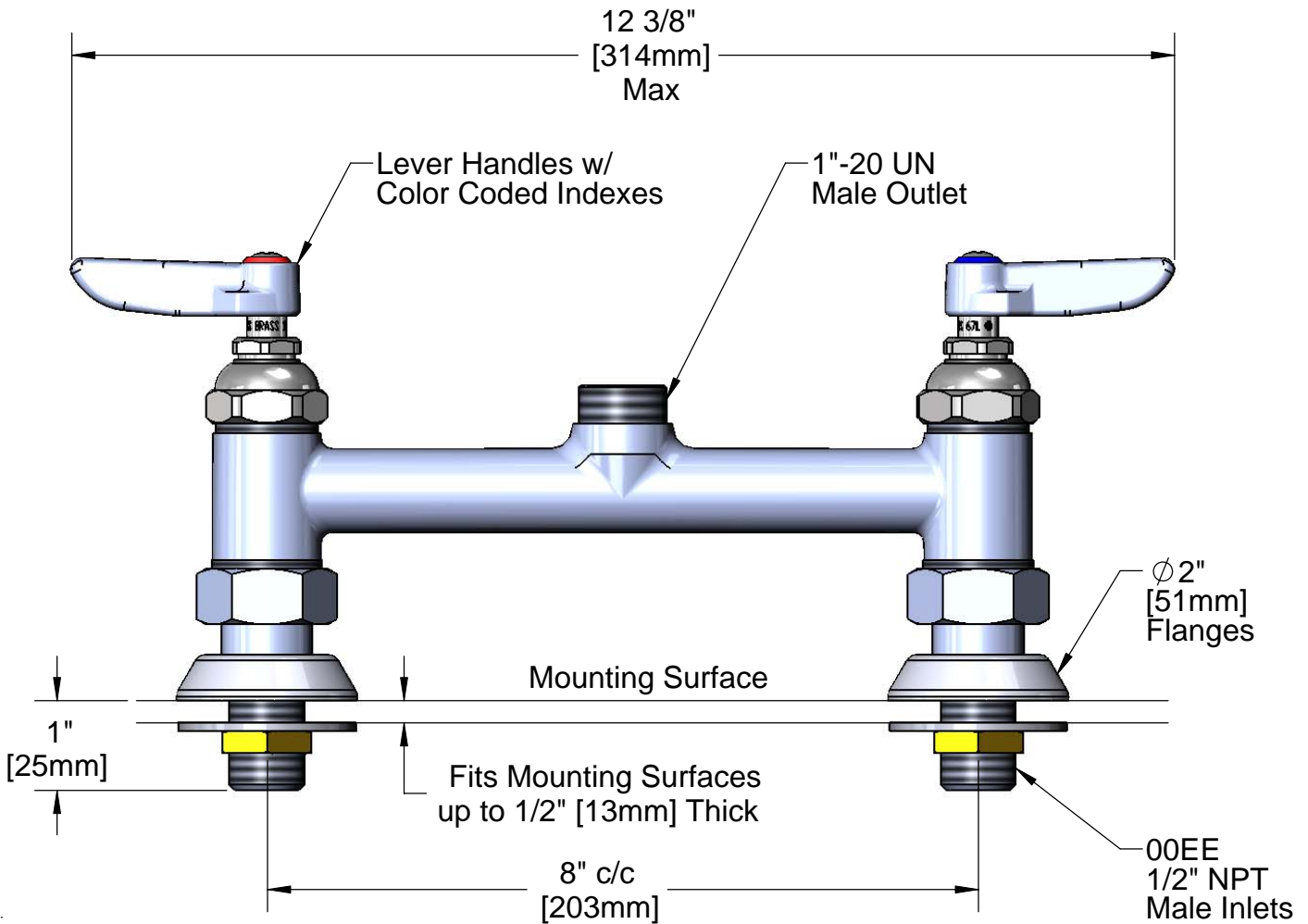
Customer/Wholesaler \_\_\_\_\_

Contractor \_\_\_\_\_

Architect/Engineer \_\_\_\_\_



**ADA Compliant**



**Rough-In Requirement:**  
Ø 1" [25mm] Holes

Product Specifications:

**8" c/c Deck Mount Faucet w/ 00EE Male Inlets & Less Nozzle**

Drawn  
**KJG**

Checked  
**DHL**

Approved  
**JHB**

Scale:

**1:2**

Date:

**08/19/09**



**T&S BRASS AND BRONZE WORKS, INC.**

2 Saddleback Cove / P.O. Box 1088  
Travelers Rest, SC 29690



REG. #A2601  
ISO #9001

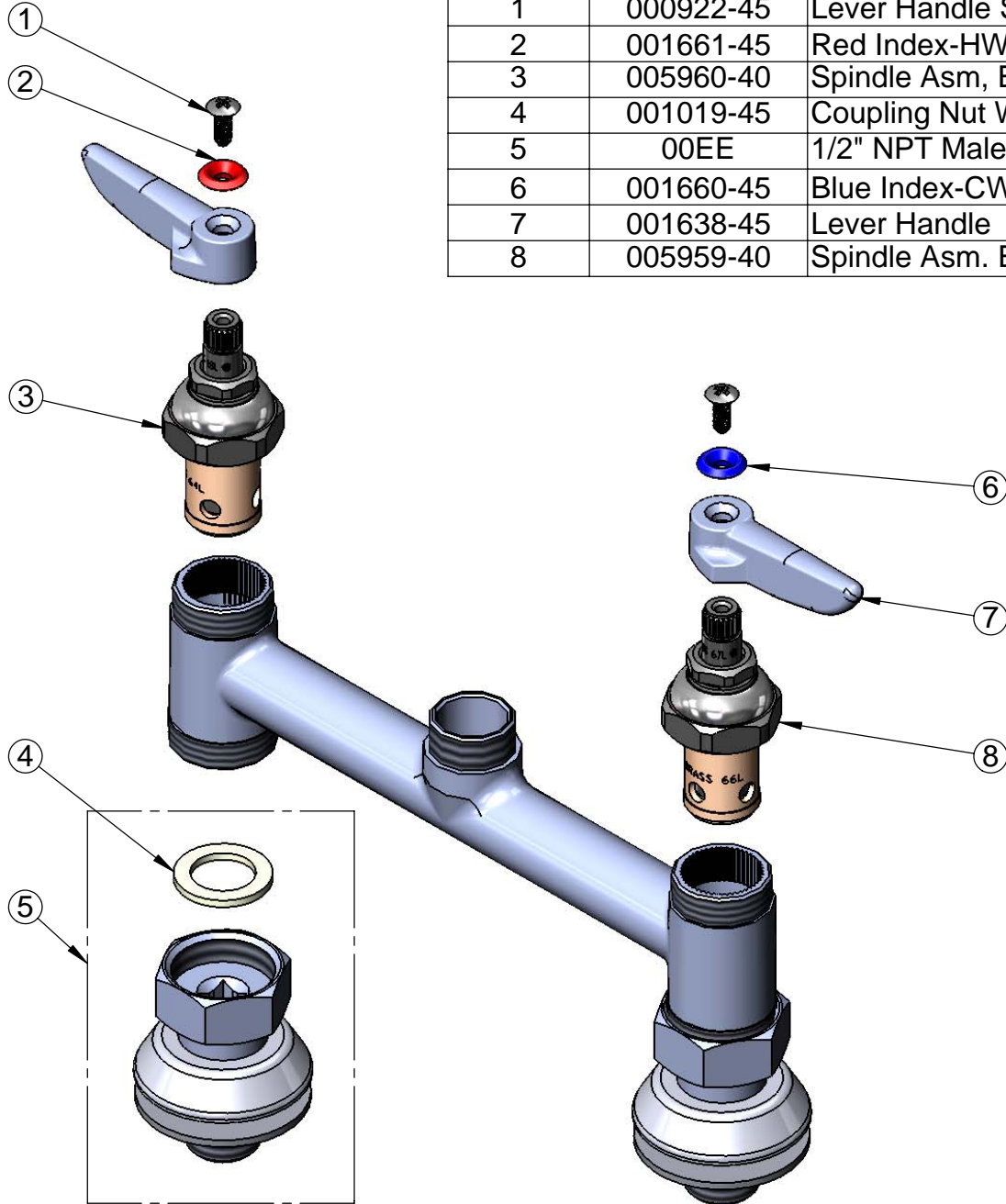
Model No.

**B-0220-EELN**

Item No.

Travelers Rest, SC: 800-476-4103 Simi Valley, CA: 800-423-0150 Fax: 864-834-3518 www.tsbrass.com

ITEM NO.	SALES NO.	DESCRIPTION
1	000922-45	Lever Handle Screw
2	001661-45	Red Index-HW
3	005960-40	Spindle Asm, Eterna "Hot"
4	001019-45	Coupling Nut Washer
5	00EE	1/2" NPT Male Inlet Assembly
6	001660-45	Blue Index-CW
7	001638-45	Lever Handle
8	005959-40	Spindle Asm. Eterna "Cold"



Product Specifications:

**8" c/c Deck Mount Faucet w/ 00EE  
Male Inlets & Less Nozzle**

Drawn

**KJG**

Checked

**DHL**

Approved

**JHB**

Scale:

**1:4**

Date:

**08/19/09**