



T&S BRASS AND BRONZE WORKS, INC.

2 Saddleback Cove / P.O. Box 1088
Travelers Rest, SC 29690



REG. #A2601
ISO #9001

Model No.

B-0221-CC

Item No.

Travelers Rest, SC: 800-476-4103 Simi Valley, CA: 800-423-0150 Fax: 864-834-3518 www.tsbrass.com

This Space for Architect/Engineer Approval

Job Name _____ Date _____

Model Specified _____ Quantity _____

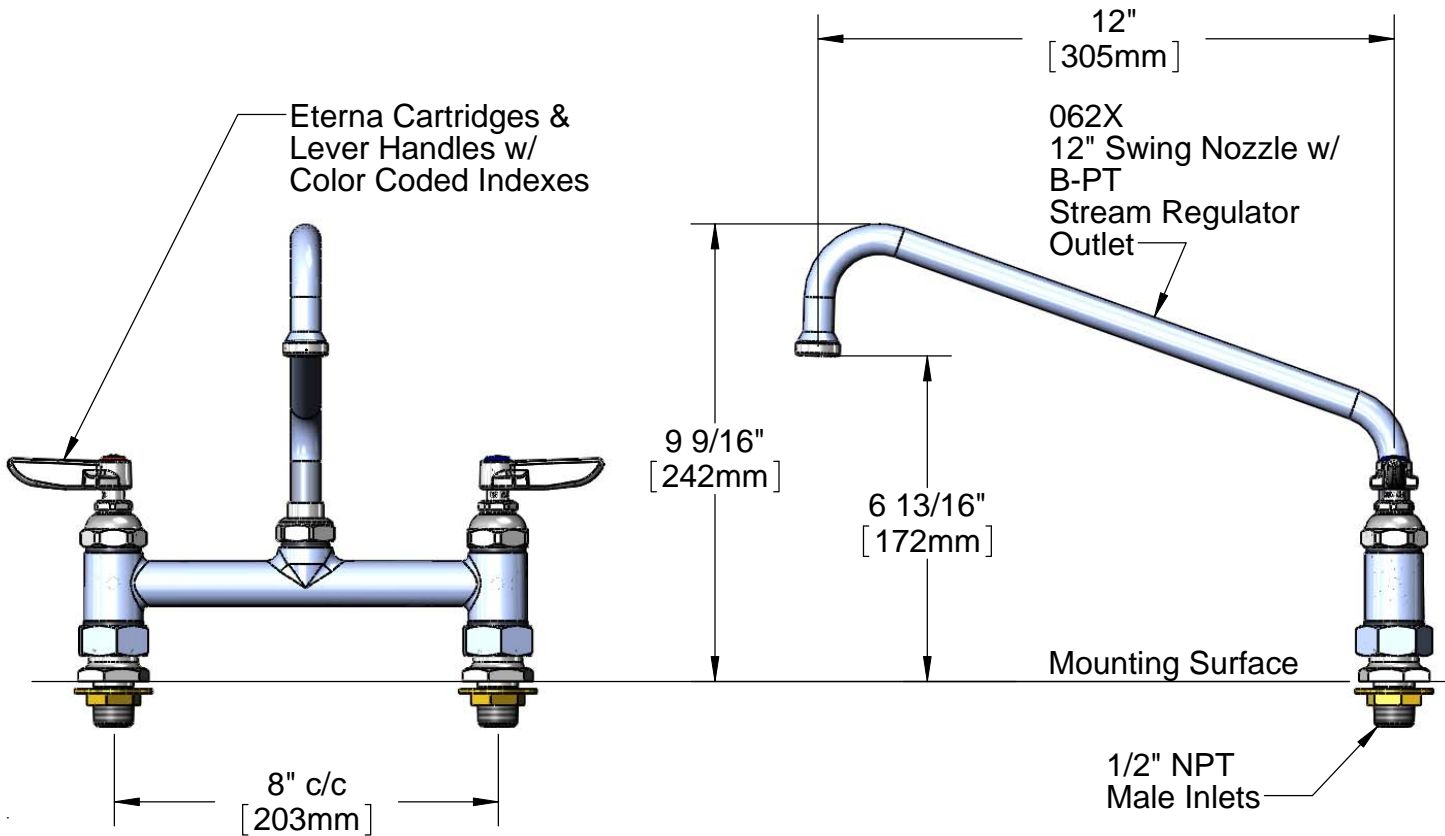
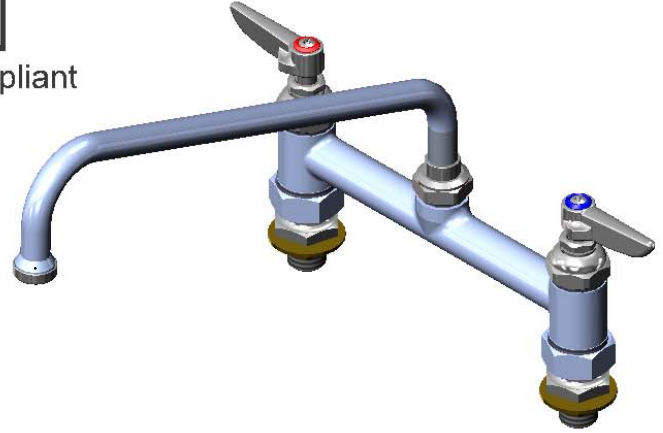
Customer/Wholesaler _____

Contractor _____

Architect/Engineer _____



ADA Compliant



Note: Rough-In Requirement
(2) Ø 1" [25mm] Mounting Holes

Product Specifications:

Double Pantry Faucet w/ Eterna Cartridges, 12" Swing Nozzle w/ B-PT Stream Regulator Outlet, Lever Handle & 1/2" NPT Male Inlet

Drawn
DHL

Checked
JRM

Approved
JHB

Scale:

1:4

Date:

02/17/11



T&S BRASS AND BRONZE WORKS, INC.

2 Saddleback Cove / P.O. Box 1088
Travelers Rest, SC 29690



REG. #A2601
ISO #9001

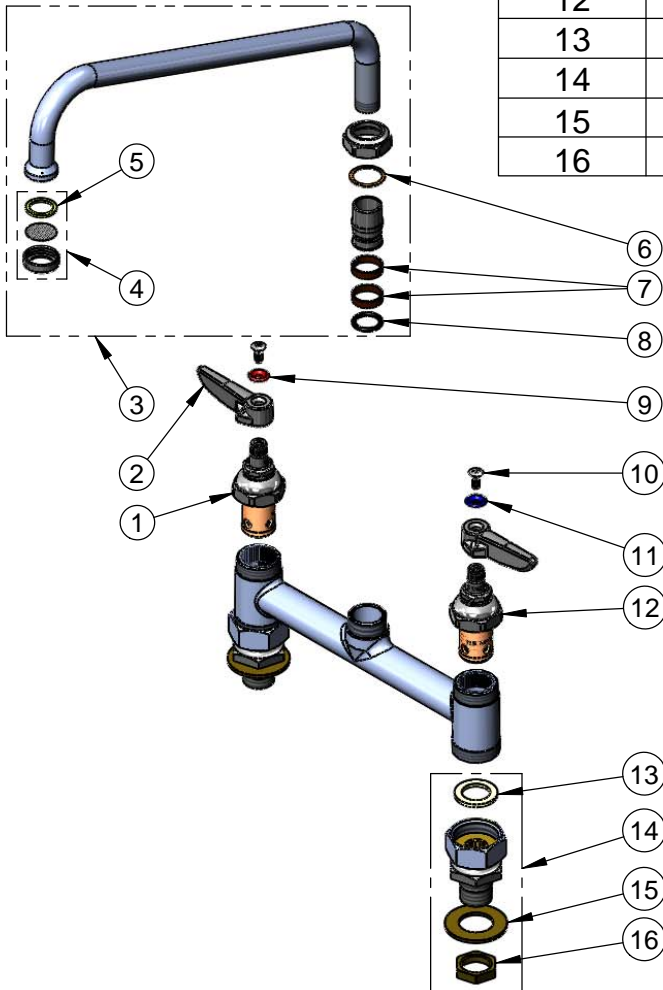
Model No.

B-0221-CC

Item No.

Travelers Rest, SC: 800-476-4103 Simi Valley, CA: 800-423-0150 Fax: 864-834-3518 www.tsbrass.com

ITEM NO.	SALES NO.	DESCRIPTION
1	005960-40	Spindle Asm, Eterna "Hot"
2	001638-45	Lever Handle
3	062X	12" Swing Nozzle Assembly
4	B-PT	Stream Regulator
5	001048-45	Nozzle Tip Washer
6	009538-45	Swivel Washer
7	011429-45	Swivel Sleeves (2)
8	001074-45	O-Ring
9	001661-45	Red Index-HW
10	000922-45	Lever Handle Screw
11	001660-45	Blue Index-CW
12	005959-40	Spindle Asm. Eterna "Cold"
13	001019-45	Coupling Nut Washer
14	00CC	1/2" NPT Male Inlet Assembly
15	000999-45	Brass Lock Washer
16	002954-45	Shank Lock Nut



Product Specifications:

Double Pantry Faucet w/ Eterna Cartridges, 12" Swing Nozzle w/ B-PT Stream Regulator Outlet, Lever Handle & 1/2" NPT Male Inlet

Drawn DHL	Checked JRM	Approved JHB
Scale: NTS		Date: 02/17/11