



T&S BRASS AND BRONZE WORKS, INC.

2 Saddleback Cove / P.O. Box 1088
Travelers Rest, SC 29690

Model No.

B-0221-CR-K-F10

Item No.

Travelers Rest, SC: 800-476-4103 • Simi Valley, CA: 800-423-0150 • Fax: 864-834-3518 • www.tsbrass.com



ADA Compliant

This Space for Architect/Engineer Approval

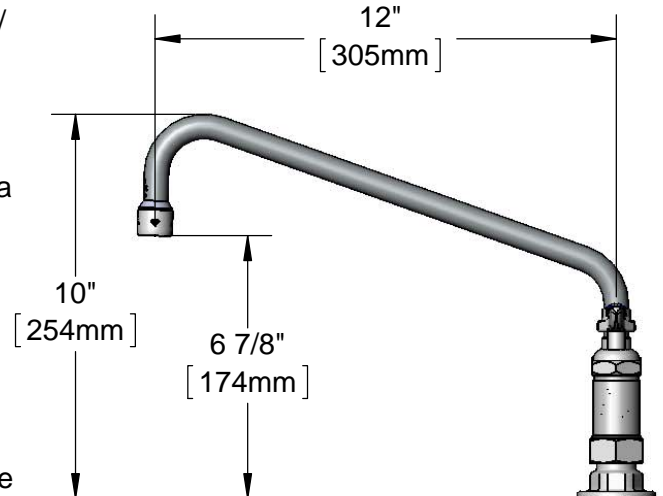
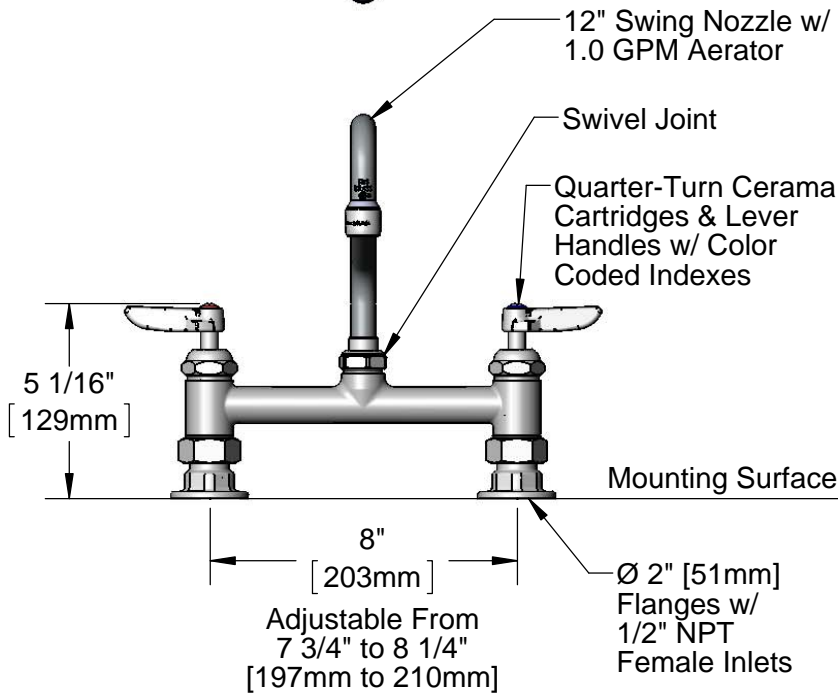
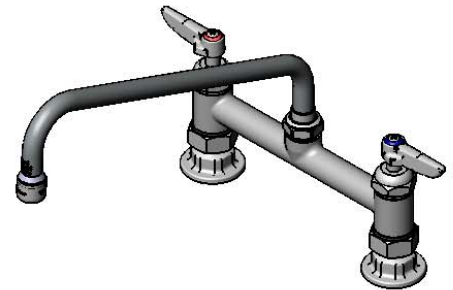
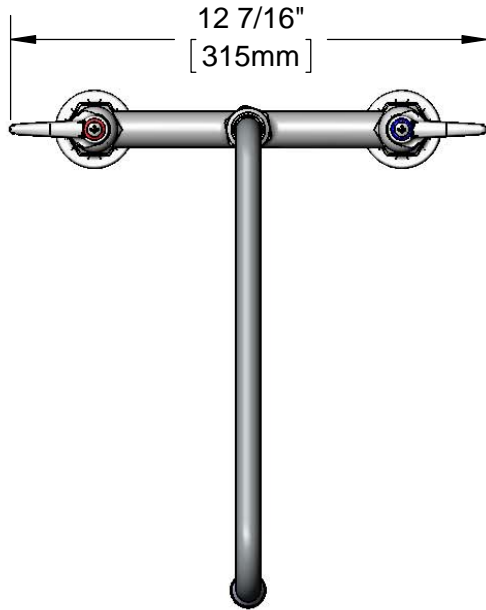
Job Name _____ Date _____

Model Specified _____ Quantity _____

Customer/Wholesaler _____

Contractor _____

Architect/Engineer _____



Product Specifications:

8" Deck Mount Mixing Faucet, Quarter-Turn Cerama Cartridges, Lever Handles, 12" Swing Nozzle w/ 1.0 GPM Aerator, 1/2" NPT Female Inlets & 1/2" NPT Supply Nipple Kit

Product Compliance:

ASME A112.18.1 / CSA B125.1
NSF 61 - Section 9
NSF 372 (Low Lead Content)
ANSI A117.1 (ADA)



T&S BRASS AND BRONZE WORKS, INC.

2 Saddleback Cove / P.O. Box 1088
Travelers Rest, SC 29690

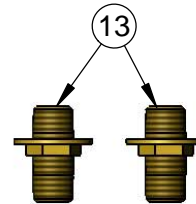
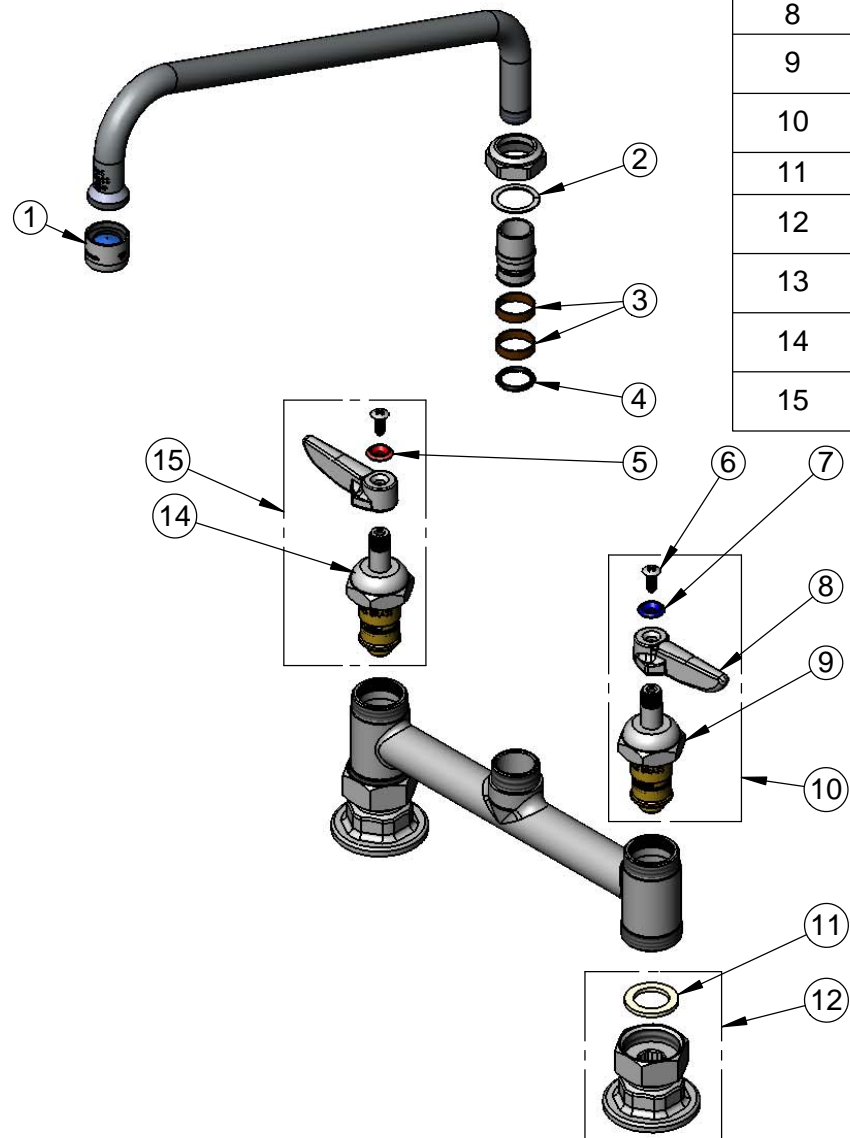
Model No.

B-0221-CR-K-F10

Item No.

Travelers Rest, SC: 800-476-4103 • Simi Valley, CA: 800-423-0150 • Fax: 864-834-3518 • www.tsbrass.com

ITEM NO.	SALES NO.	DESCRIPTION
1	B-0199-01-F10	1.0 GPM Aerator, 55/64-27 UN Female
2	009538-45	Swivel Washer
3	011429-45	Swivel Sleeves (2)
4	001074-45	O-Ring
5	001661-45	Red Index-HW
6	000922-45	Lever Handle Screw
7	001660-45	Blue Index-CW
8	001638-45	Lever Handle
9	011279-25	Quarter-Turn Cerama Cartridge, LTC
10	012445-25	Quarter-Turn Cerama Cartridge, LTC w/ Handle, Index & Screw
11	001019-45	Coupling Nut Washer
12	00AA	1/2" NPT Female Eccentric Flange
13	B-0425-M	1/2" NPT x 1 1/4" Long Supply Nipple Kit (2)
14	011278-25	Quarter-Turn Cerama Cartridge, RTC
15	012444-25	Quarter-Turn Cerama Cartridge, RTC w/ Handle, Index & Screw



Product Specifications:

8" Deck Mount Mixing Faucet, Quarter-Turn Cerama Cartridges, Lever Handles, 12" Swing Nozzle w/ 1.0 GPM Aerator, 1/2" NPT Female Inlets & 1/2" NPT Supply Nipple Kit

Product Compliance:

ASME A112.18.1 / CSA B125.1
NSF 61 - Section 9
NSF 372 (Low Lead Content)
ANSI A117.1 (ADA)