



T&S BRASS AND BRONZE WORKS, INC.

2 Saddleback Cove / P.O. Box 1088
Travelers Rest, SC 29690



REG. #A2601
ISO #9001

Model No.

B-0225

Item No.

Travelers Rest, SC: 800-476-4103 Simi Valley, CA: 800-423-0150 Fax: 864-834-3518 www.tsbrass.com

This Space for Architect/Engineer Approval

Job Name _____ Date _____

Model Specified _____ Quantity _____

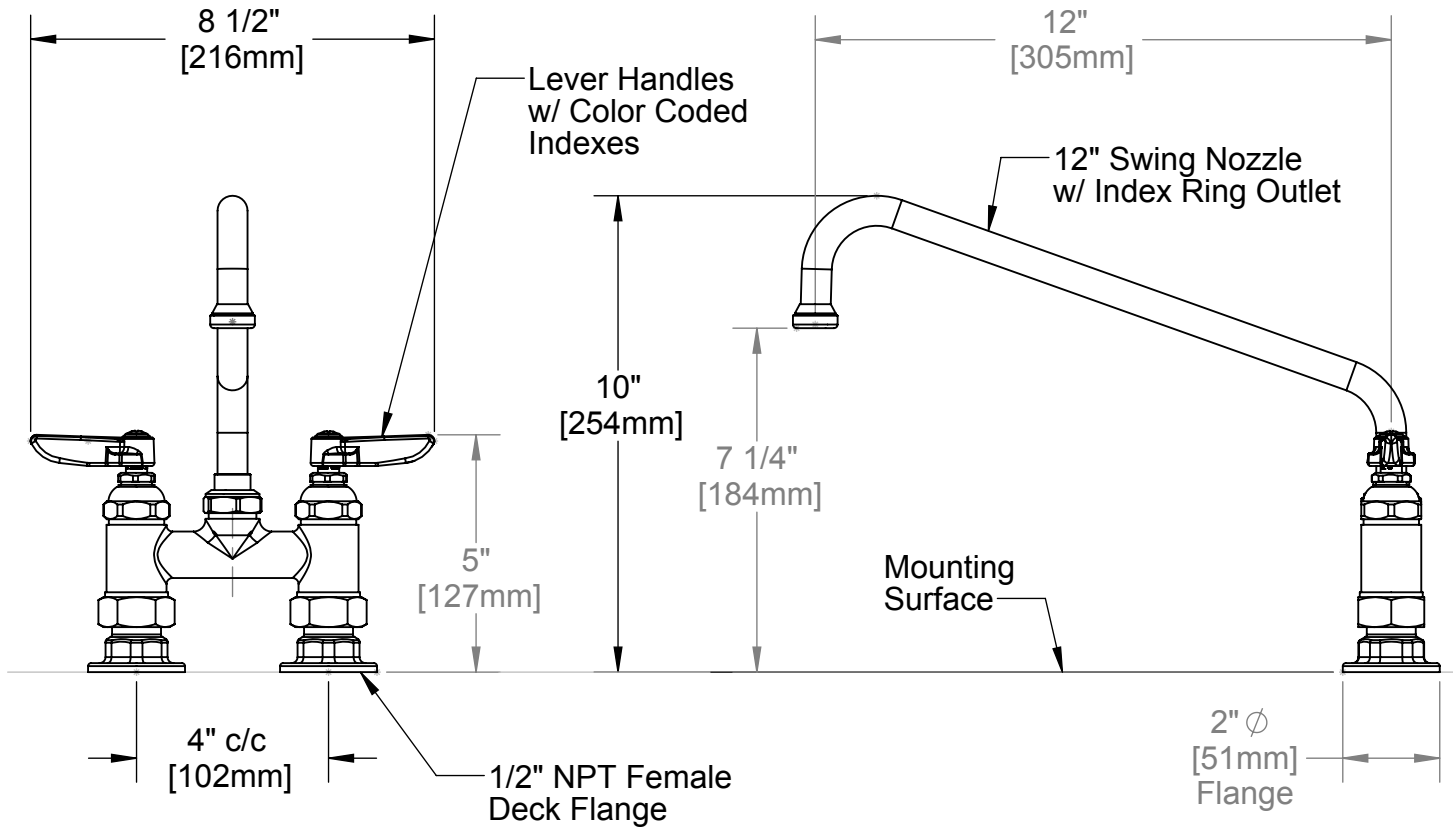
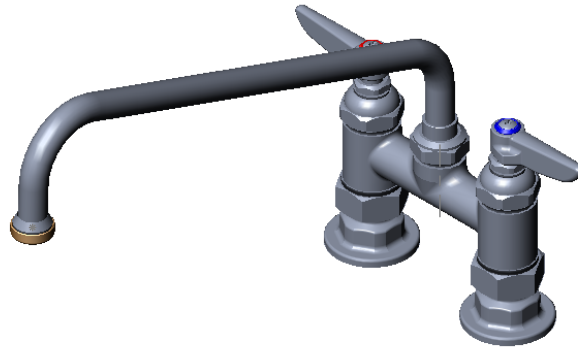
Customer/Wholesaler _____

Contractor _____

Architect/Engineer _____



ADA Compliant



Product Specifications:

Double Pantry Faucet, Lever Handles, 18" Swing Nozzle w/ Index Ring Outlet & Surface Mounting Flanges

Drawn

KJG

Checked

DHL

Approved

JHB

Scale:

1:4

Date:

09/07/07



T&S BRASS AND BRONZE WORKS, INC.

2 Saddleback Cove / P.O. Box 1088
Travelers Rest, SC 29690



REG. #A2601
ISO #9001

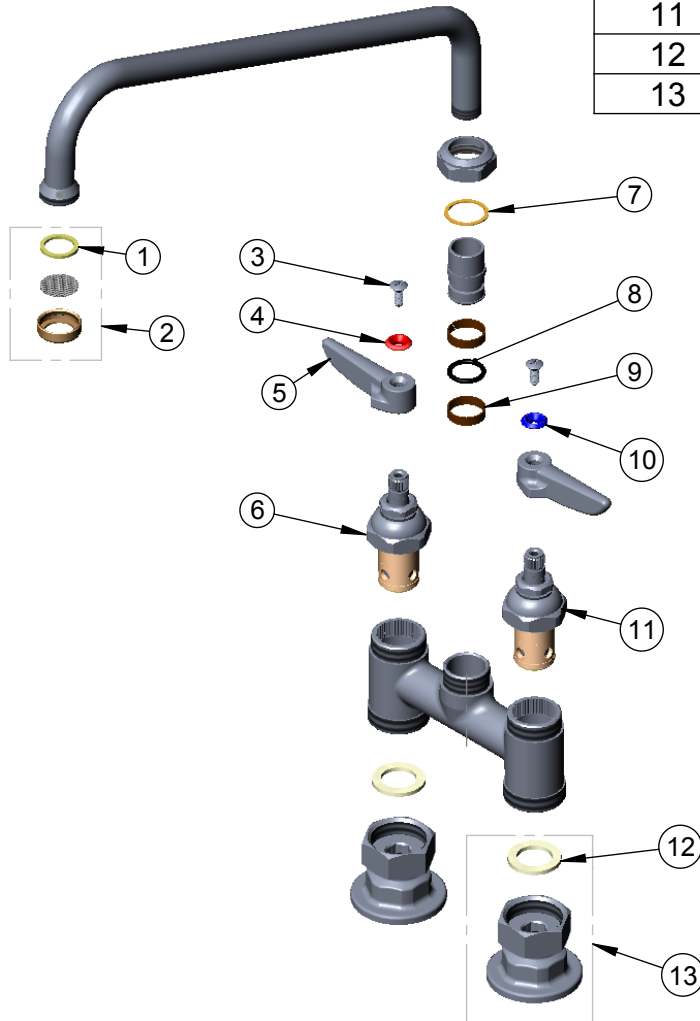
Model No.

B-0225

Item No.

Travelers Rest, SC: 800-476-4103 Simi Valley, CA: 800-423-0150 Fax: 864-834-3518 www.tsbrass.com

ITEM NO.	SALES NO.	DESCRIPTION
1	009638-45	Washer
2	B-PT	Index Ring Asm
3	000922-45	Lever Handle Screw
4	001661-45	Red Index-HW
5	001638-45	Lever Handle
6	005960-40	Spindle Asm, Eterna "Hot"
7	009538-45	Swivel Washer
8	001074-45	O-Ring
9	011429-45	Swivel Sleeve
10	001660-45	Blue Index-CW
11	005959-40	Spindle Asm. Eterna "Cold"
12	001019-45	Washer, Coupling Nut
13	00AA	Flange Assembly, 00AA



Product Specifications:

Double Pantry Faucet, Lever Handles, 18" Swing Nozzle w/ Index Ring Outlet & Surface Mounting Flanges

Drawn KJG	Checked DHL	Approved JHB
Scale: 1:4		Date: 09/07/07