



T&S BRASS AND BRONZE WORKS, INC.

2 SADDLEBACK COVE / P.O. BOX 1088 / TRAVELERS REST, SC 29690

PHONE 800-476-4103

FAX 803- 834-3518

Model No.

B-0230-CCLN

Item No.:

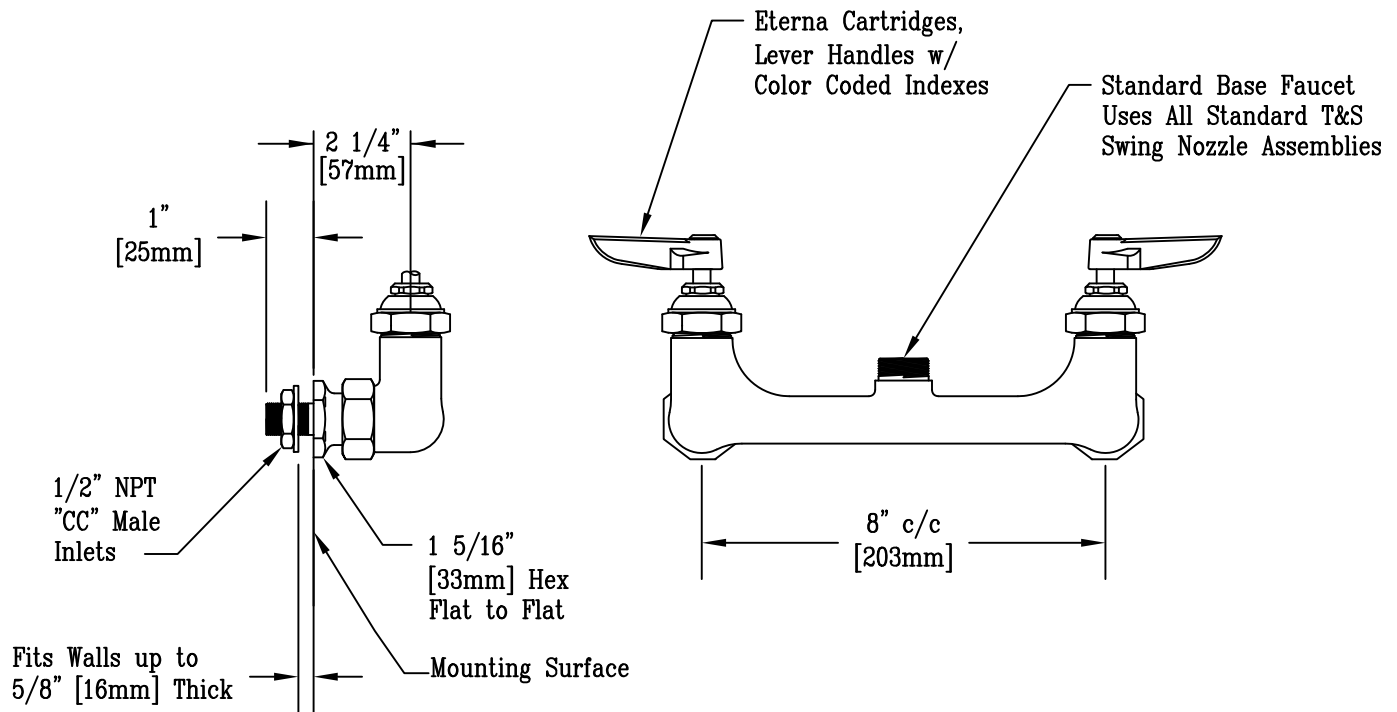
Job Name:

Architect/Engineer Approval:

Notes:



ADA COMPLIANT



Note: Rough-In Requirement
(2) ϕ 1" [25mm] Mounting Holes

Product Description:

8" c/c Wall Mount Faucet w/ Eterna Cartridges, Lever Handles, 1/2" NPT "CC" Male Inlets, & Less Nozzle

Drawn:

KJG

Checked:

JRM

Scale:

1 : 4

Approved

JHB

Date:

12/14/10