



T&S BRASS AND BRONZE WORKS, INC.

2 Saddleback Cove / P.O. Box 1088
Travelers Rest, SC 29690



REG. #A2601
ISO #9001

Model No.

B-0230-LN

Item No.

Travelers Rest, SC: 800-476-4103 Simi Valley, CA: 800-423-0150 Fax: 864-834-3518 www.tsbrass.com

This Space for Architect/Engineer Approval

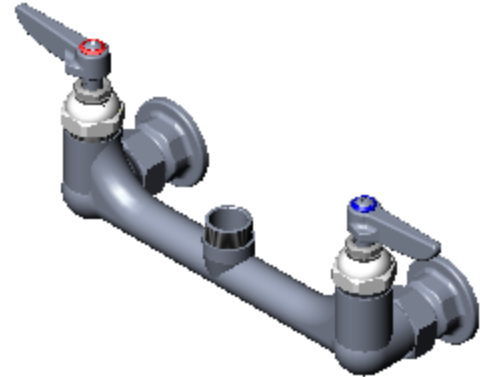
Job Name _____ Date _____

Model Specified _____ Quantity _____

Customer/Wholesaler _____

Contractor _____

Architect/Engineer _____

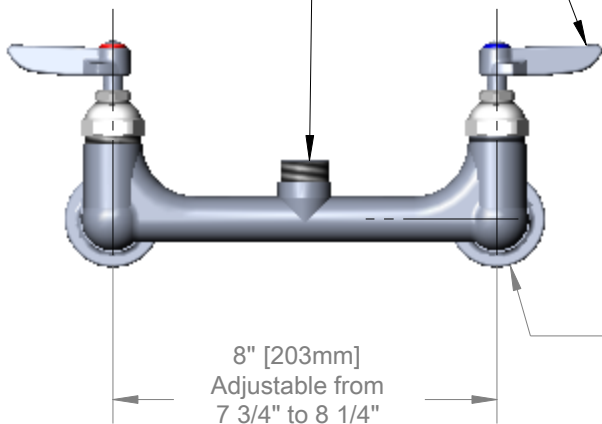


Variations or Applicable Options:

- WH6 6" Wrist Action Handles
- WH4 4" Wrist Action Handles
- 175F 4-Arm Kitchen Handles

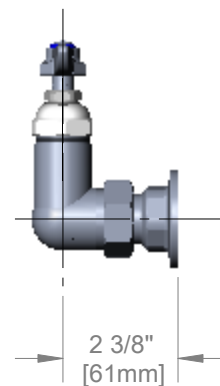
Swivel Outlet Accepts
Standard Swing Nozzles
such as 062X

Lever Handles
w/ Colored
Indexes



8" [203mm]
Adjustable from
7 3/4" to 8 1/4"
[197mm to 210mm]

Ø2" [51mm] w/
1/2" NPT
Female Inlets



2 3/8"
[61mm]

Product Specifications:

8" c/c Wall Mount Mixing Faucet w/ 1/2" NPT
Female Eccentric Inlet Flanges, Lever Handles,
Less Nozzle

Drawn
WJS

Checked
JRM

Approved
JHB

Scale:

1:4

Date:

10/19/06



T&S BRASS AND BRONZE WORKS, INC.

2 Saddleback Cove / P.O. Box 1088
Travelers Rest, SC 29690



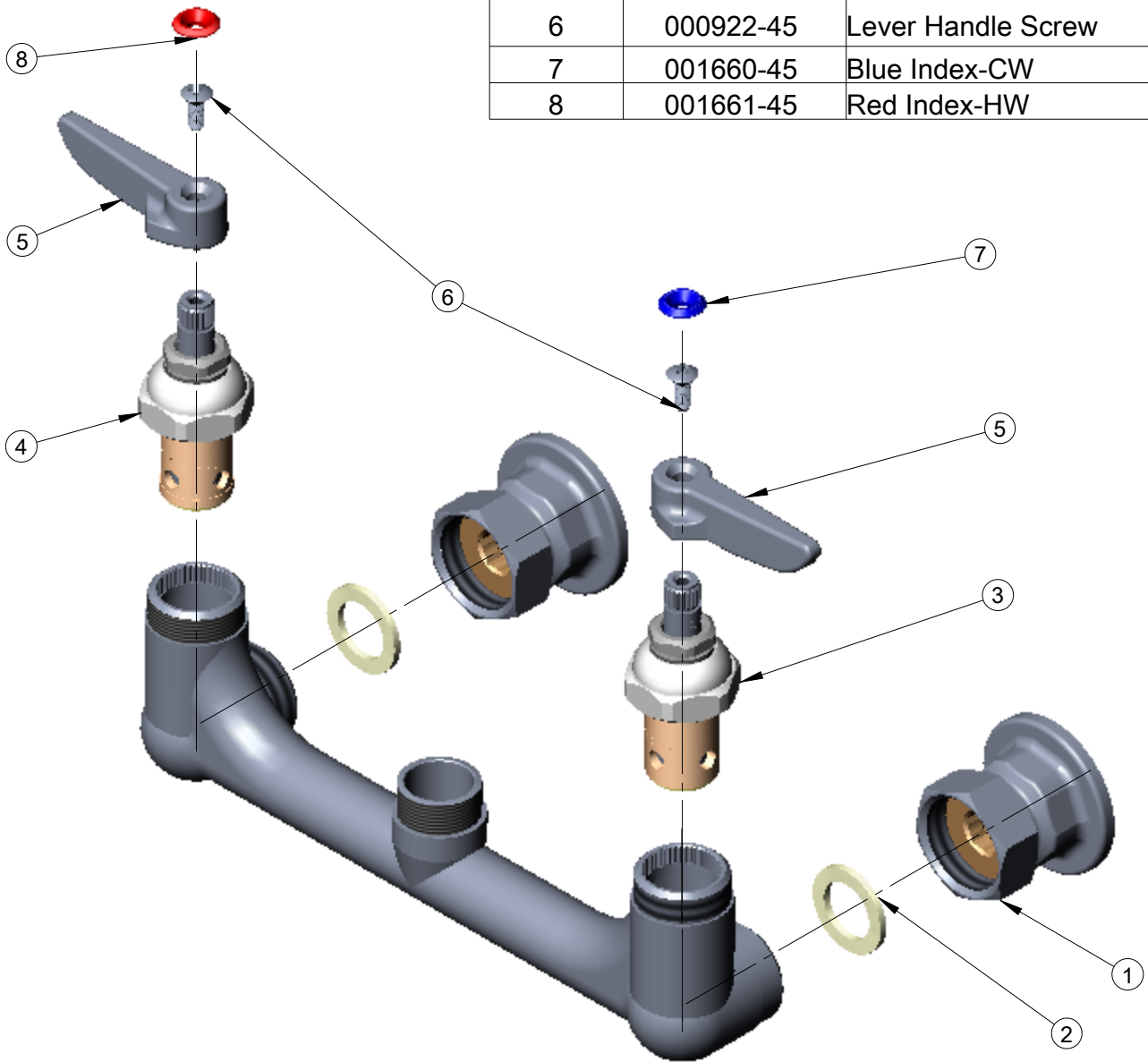
REG. #A2601
ISO #9001

Model No.
B-0230-LN

Item No.

Travelers Rest, SC: 800-476-4103 Simi Valley, CA: 800-423-0150 Fax: 864-834-3518 www.tsbrass.com

ITEM	PART NO.	DESCRIPTION
1	00AA	00AA Flange Asm
2	001019-45	Cplg Nut Washer
3	005959-40	Eterna Barrel Asm-Cold
4	005960-40	Eterna Barrel Asm-Hot
5	177F	Lever Handle
6	000922-45	Lever Handle Screw
7	001660-45	Blue Index-CW
8	001661-45	Red Index-HW



Product Specifications:

8" c/c Wall Mount Mixing Faucet w/ 1/2" NPT
Female Eccentric Inlet Flanges, Lever Handles,
Less Nozzle

Drawn WJS	Checked JRM	Approved JHB
Scale: 1:2		Date: 10/19/06