



T&S BRASS AND BRONZE WORKS, INC.

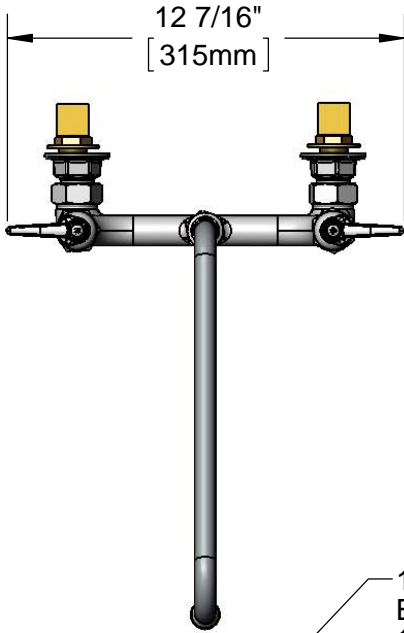
2 Saddleback Cove / P.O. Box 1088
Travelers Rest, SC 29690

Model No.

B-0231-CR-K-F10

Item No.

Travelers Rest, SC: 800-476-4103 • Simi Valley, CA: 800-423-0150 • Fax: 864-834-3518 • www.tsbrass.com



ADA Compliant

This Space for Architect/Engineer Approval

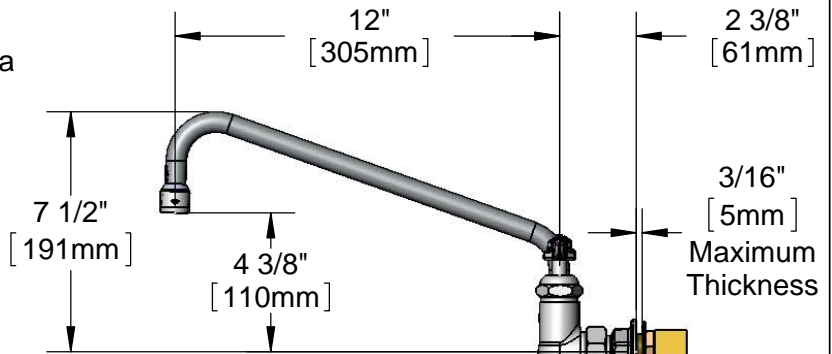
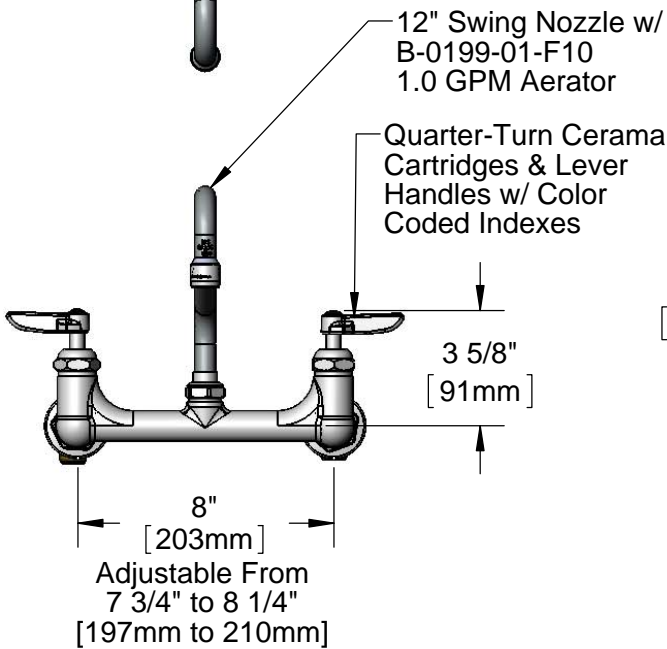
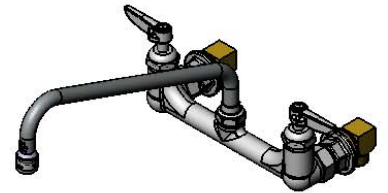
Job Name _____ Date _____

Model Specified _____ Quantity _____

Customer/Wholesaler _____

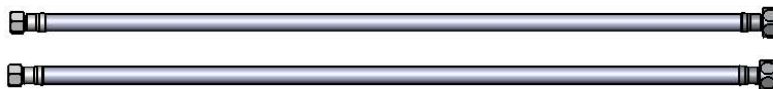
Contractor _____

Architect/Engineer _____



Mounting Surface

(2) B-0230-K
Short EI Installation Kit
w/ 1/2" NPT Male Inlets



B-0230-KIT
Short EI Installation Kit
w/ (2) Flexible Hoses

Product Specifications:

8" Wall Mount Mixing Faucet, Quarter-Turn Cerama Cartridges, Lever Handles, 12" Swing Nozzle w/ 1.0 GPM Aerator, Installation Kits & (2) 24" Flexible Supply Hoses

Product Compliance:

ASME A112.18.1 / CSA B125.1
NSF 61 - Section 9
NSF 372 (Low Lead Content)
ANSI A117.1 (ADA)



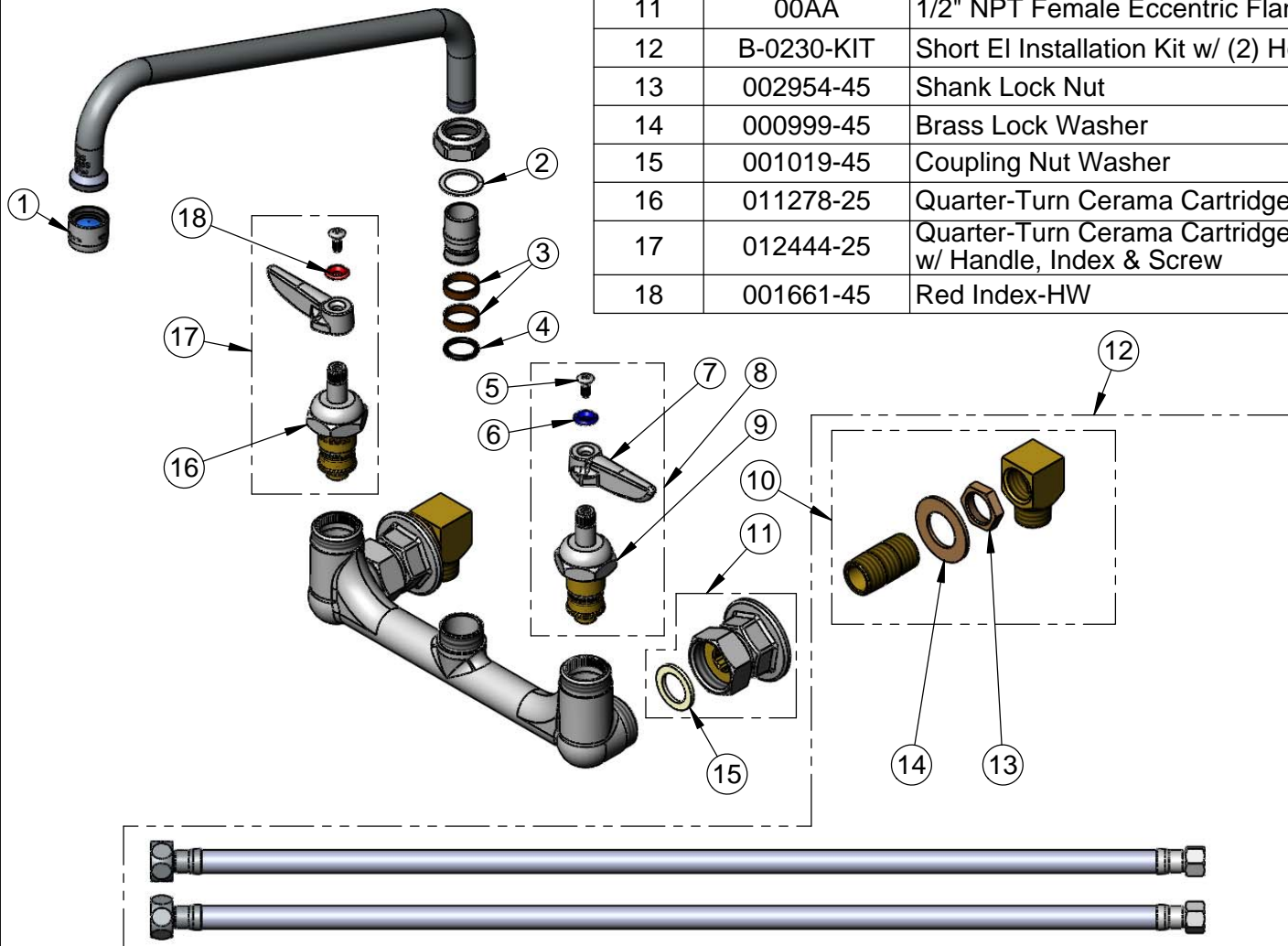
T&S BRASS AND BRONZE WORKS, INC.
 2 Saddleback Cove / P.O. Box 1088
 Travelers Rest, SC 29690

Model No.
B-0231-CR-K-F10

Item No.

Travelers Rest, SC: 800-476-4103 • Simi Valley, CA: 800-423-0150 • Fax: 864-834-3518 • www.tsbrass.com

ITEM NO.	SALES NO.	DESCRIPTION
1	B-0199-01-F10	1.0 GPM Aerator, 55/64-27 UN Female
2	009538-45	Swivel Washer
3	011429-45	Swivel Sleeves (2)
4	001074-45	O-Ring
5	000922-45	Lever Handle Screw
6	001660-45	Blue Index-CW
7	001638-45	Lever Handle
8	012445-25	Quarter-Turn Cerama Cartridge, LTC w/ Handle, Index & Screw
9	011279-25	Quarter-Turn Cerama Cartridge, LTC
10	B-0230-K	Short Elbow Installation Kit
11	00AA	1/2" NPT Female Eccentric Flange
12	B-0230-KIT	Short EI Installation Kit w/ (2) Hoses
13	002954-45	Shank Lock Nut
14	000999-45	Brass Lock Washer
15	001019-45	Coupling Nut Washer
16	011278-25	Quarter-Turn Cerama Cartridge, RTC
17	012444-25	Quarter-Turn Cerama Cartridge, RTC w/ Handle, Index & Screw
18	001661-45	Red Index-HW



Product Specifications:
 8" Wall Mount Mixing Faucet, Quarter-Turn Cerama Cartridges, Lever Handles, 12" Swing Nozzle w/ 1.0 GPM Aerator, Installation Kits & (2) 24" Flexible Supply Hoses

Product Compliance:
 ASME A112.18.1 / CSA B125.1
 NSF 61 - Section 9
 NSF 372 (Low Lead Content)
 ANSI A117.1 (ADA)