



# T&S BRASS AND BRONZE WORKS, INC.

2 Saddleback Cove / P.O. Box 1088  
Travelers Rest, SC 29690



REG. #A2601  
ISO #9001

Model No.

B-0231-EE

Item No.

Travelers Rest, SC: 800-476-4103 Simi Valley, CA: 800-423-0150 Fax: 864-834-3518 www.tsbrass.com

This Space for Architect/Engineer Approval

Job Name \_\_\_\_\_ Date \_\_\_\_\_

Model Specified \_\_\_\_\_ Quantity \_\_\_\_\_

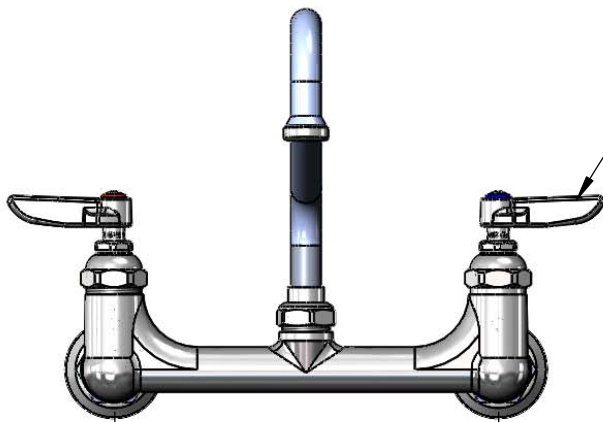
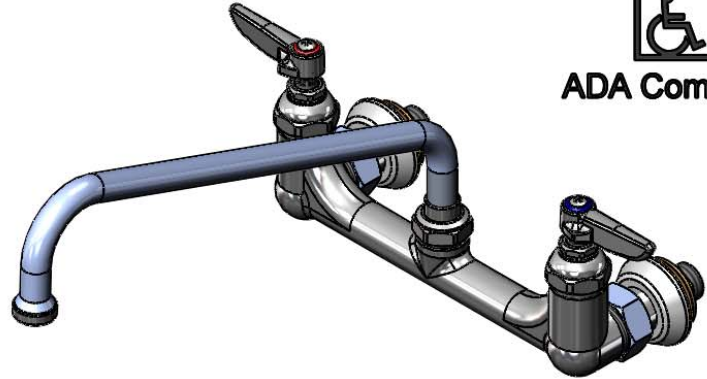
Customer/Wholesaler \_\_\_\_\_

Contractor \_\_\_\_\_

Architect/Engineer \_\_\_\_\_



ADA Compliant



Eterna Cartridges & Lever Handles w/ Color Coded Indexes

8"  
[203mm]

12"  
[305mm]

2 5/16"  
[59mm]

7 1/2"  
[191mm]

4 3/4"  
[121mm]

062X  
12" Swing Nozzle w/  
B-PT  
Stream Regulator Outlet

Mounting  
Surface

1/2" NPT  
Male Inlet

**Note: Rough-In Requirement**  
(2) Ø 1" [25mm] Mounting Holes

Product Specifications:

Double Pantry Faucet w/ Eterna Cartridges, 12" Swing Nozzle w/ B-PT Stream Regulator Outlet, Lever Handles & 1/2" Male Inlets

Drawn

DHL

Checked

JRM

Approved

JHB

Scale:

1:4

Date:

02/17/11



**T&S BRASS AND BRONZE WORKS, INC.**

2 Saddleback Cove / P.O. Box 1088  
Travelers Rest, SC 29690



REG. #A2601  
ISO #9001

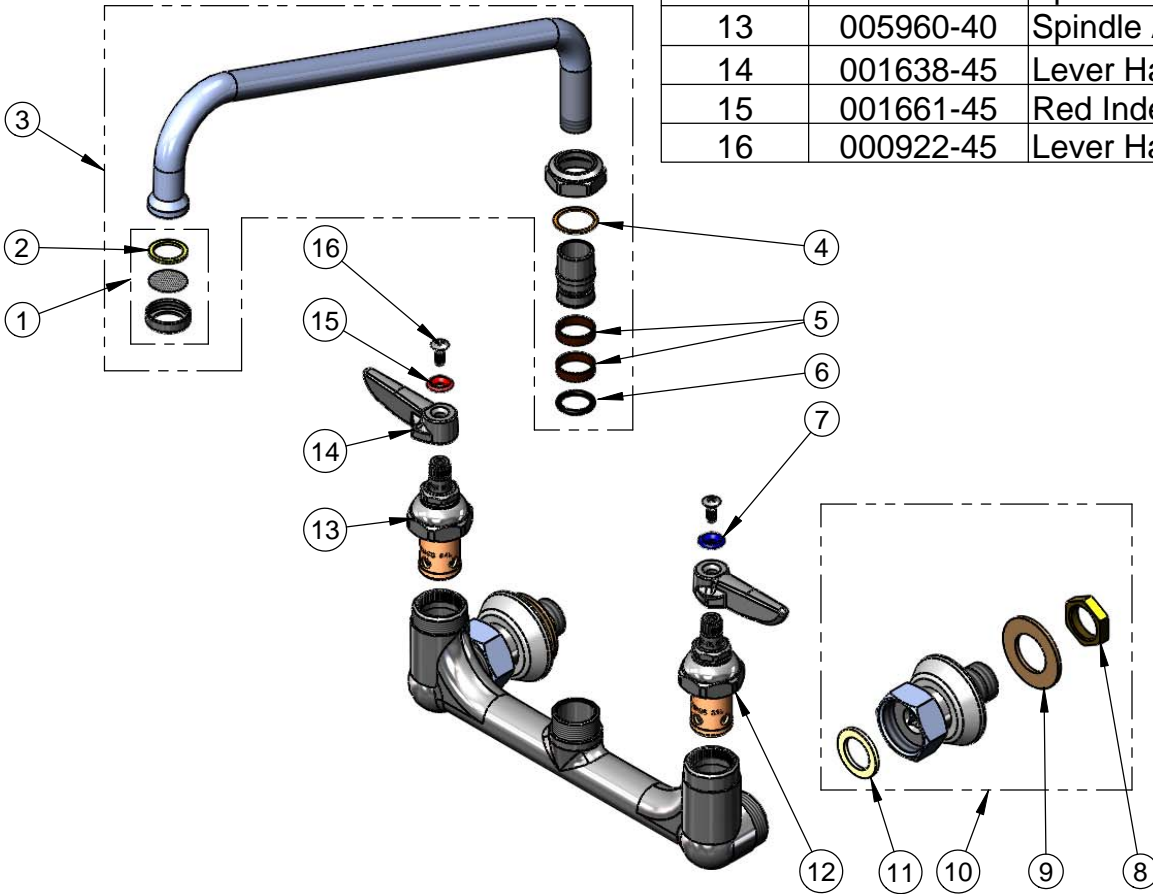
Model No.

**B-0231-EE**

Item No.

Travelers Rest, SC: 800-476-4103 Simi Valley, CA: 800-423-0150 Fax: 864-834-3518 www.tsbrass.com

| ITEM NO. | SALES NO. | DESCRIPTION   |
|----------|-----------|---|
| 1        | B-PT      | Stream Regulator                                      |
| 2        | 001048-45 | Nozzle Tip Washer                                     |
| 3        | 062X      | 12" Swing Nozzle Assembly w/<br>B-PT Stream Regulator |
| 4        | 009538-45 | Swivel Washer   |
| 5        | 011429-45 | Swivel Sleeves (2)                                    |
| 6        | 001074-45 | O-Ring  |
| 7        | 001660-45 | Blue Index-CW   |
| 8        | 002954-45 | Shank Lock Nut  |
| 9        | 000999-45 | Brass Lock Washer                                     |
| 10       | 00EE      | 1/2" NPT Male Inlet Assembly                          |
| 11       | 001019-45 | Coupling Nut Washer                                   |
| 12       | 005959-40 | Spindle Asm. Eterna "Cold"                            |
| 13       | 005960-40 | Spindle Asm, Eterna "Hot"                             |
| 14       | 001638-45 | Lever Handle  |
| 15       | 001661-45 | Red Index-HW  |
| 16       | 000922-45 | Lever Handle Screw                                    |



Product Specifications:

Double Pantry Faucet w/ Eterna Cartridges, 12" Swing Nozzle  
w/ B-PT Stream Regulator Outlet, Lever Handles & 1/2" Male Inlets

|                      |                       |                          |
|----------------------|-----------------------|--------------------------|
| Drawn<br><b>DHL</b>  | Checked<br><b>JRM</b> | Approved<br><b>JHB</b>   |
| Scale:<br><b>NTS</b> |                       | Date:<br><b>02/17/11</b> |