



**T&S BRASS AND BRONZE WORKS, INC.**

2 Saddleback Cove / P.O. Box 1088  
Travelers Rest, SC 29690

Model No.

**B-0231**

Item No.

Travelers Rest, SC: 800-476-4103 • Simi Valley, CA: 800-423-0150 • Fax: 864-834-3518 • www.tsbrass.com



**ADA Compliant**

This Space for Architect/Engineer Approval

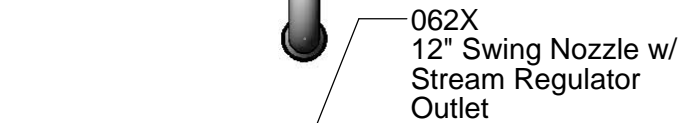
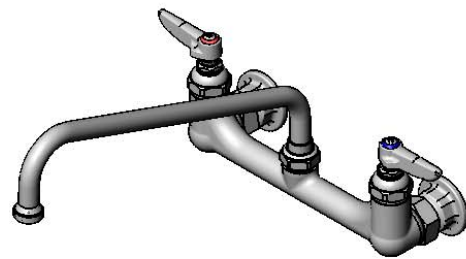
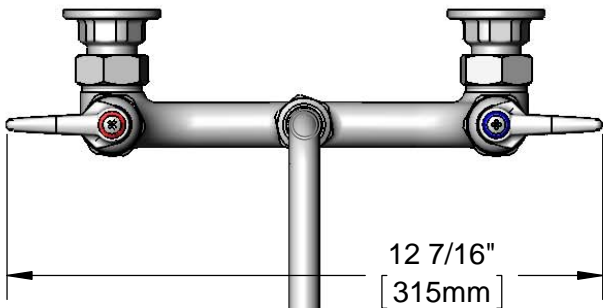
Job Name \_\_\_\_\_ Date \_\_\_\_\_

Model Specified \_\_\_\_\_ Quantity \_\_\_\_\_

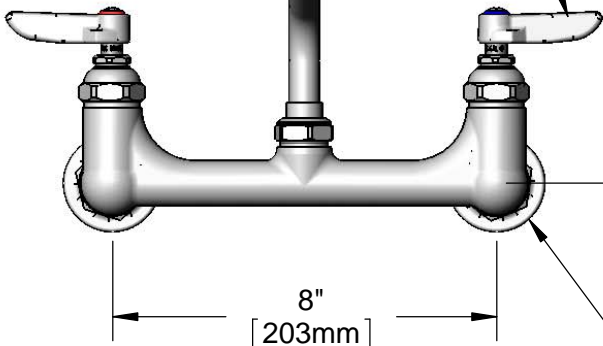
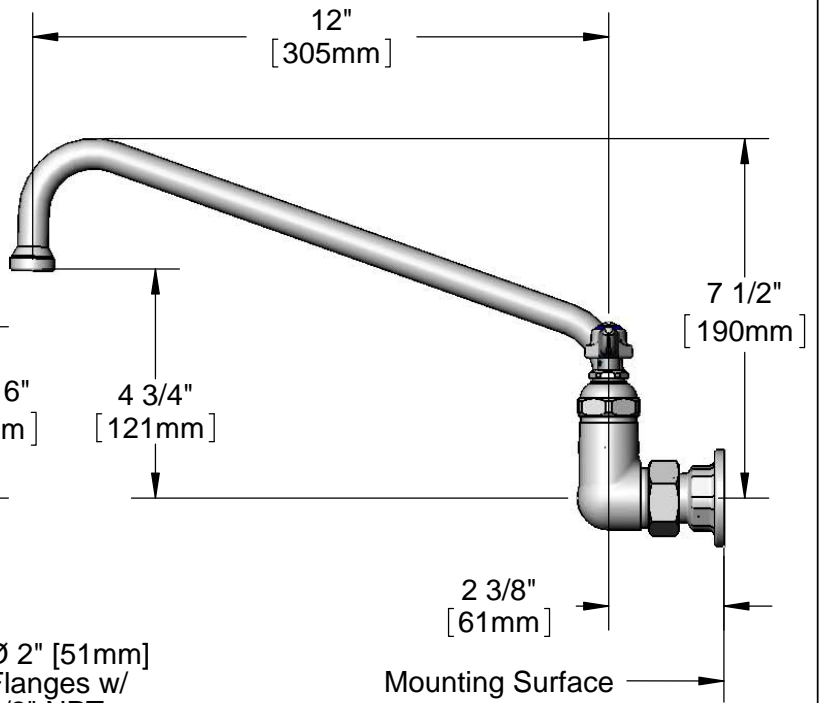
Customer/Wholesaler \_\_\_\_\_

Contractor \_\_\_\_\_

Architect/Engineer \_\_\_\_\_



Eterna Cartridges &  
Lever Handles  
w/ Colored Coded  
Indexes



Product Specifications:

8" Wall Mount Mixing Faucet w/ Eterna Cartridge, Lever Handles,  
12" Swing Nozzle w/ Stream Regulator Outlet & 1/2" NPT  
Female Inlets

Drawn

**DHL**

Checked

**DMH**

Approved

**JHB**

Scale:

**1:4**

Date:

**02/11/13**



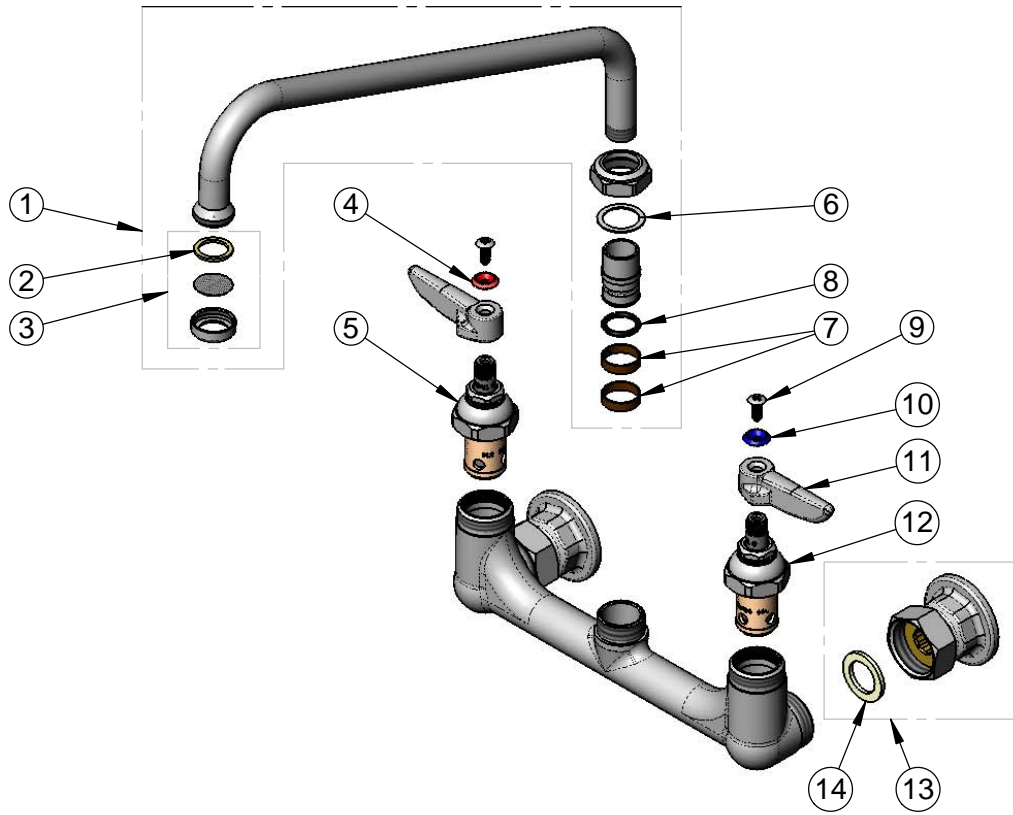
**T&S BRASS AND BRONZE WORKS, INC.**  
 2 Saddleback Cove / P.O. Box 1088  
 Travelers Rest, SC 29690

Model No.  
**B-0231**

Item No.

Travelers Rest, SC: 800-476-4103 • Simi Valley, CA: 800-423-0150 • Fax: 864-834-3518 • www.tsbrass.com

| ITEM NO. | SALES NO. | DESCRIPTION                                      |
|----------|-----------|--|
| 1        | 062X      | 12" Swing Nozzle w/ B-PT Stream Regulator Outlet |
| 2        | 001048-45 | Nozzle Tip Washer                                |
| 3        | B-PT      | Stream Regulator Outlet                          |
| 4        | 001661-45 | Red Index-HW                                     |
| 5        | 005960-40 | Eterna Cartridges, RTC                           |
| 6        | 009538-45 | Swivel Washer                                    |
| 7        | 011429-45 | Swivel Sleeves (2)                               |
| 8        | 001074-45 | O-Ring   |
| 9        | 000922-45 | Lever Handle Screw                               |
| 10       | 001660-45 | Blue Index-CW                                    |
| 11       | 001638-45 | Lever Handle                                     |
| 12       | 005959-40 | Eterna Cartridges, LTC                           |
| 13       | 00AA      | 1/2" NPT Female Eccentric Flange                 |
| 14       | 001019-45 | Coupling Nut Washer                              |



Product Specifications:  
 8" Wall Mount Mixing Faucet w/ Eterna Cartridge, Lever Handles,  
 12" Swing Nozzle w/ Stream Regulator Outlet & 1/2" NPT  
 Female Inlets

|                      |                       |                          |
|----------------------|-----------------------|--------------------------|
| Drawn<br><b>DHL</b>  | Checked<br><b>DMH</b> | Approved<br><b>JHB</b>   |
| Scale:<br><b>NTS</b> |                       | Date:<br><b>02/11/13</b> |