



# T&S BRASS AND BRONZE WORKS, INC.

2 Saddleback Cove / P.O. Box 1088  
Travelers Rest, SC 29690



REG. #A2601  
ISO #9001

Model No.

**B-0232-CC-CR**

Item No.

Travelers Rest, SC: 800-476-4103 Simi Valley, CA: 800-423-0150 Fax: 864-834-3518 www.tsbrass.com

This Space for Architect/Engineer Approval

Job Name \_\_\_\_\_ Date \_\_\_\_\_

Model Specified \_\_\_\_\_ Quantity \_\_\_\_\_

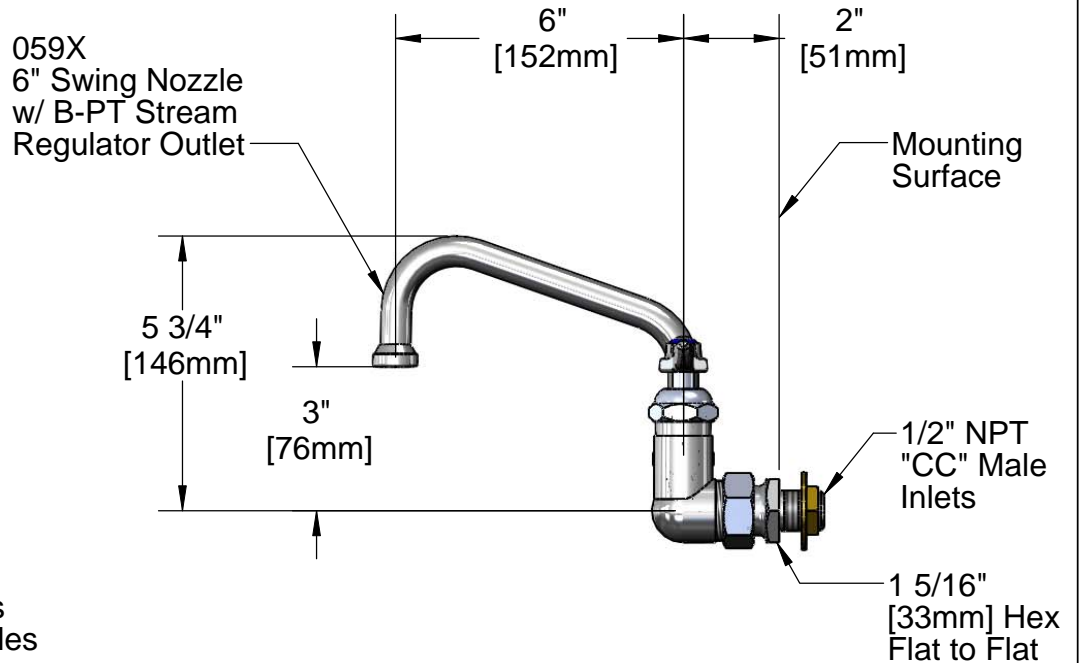
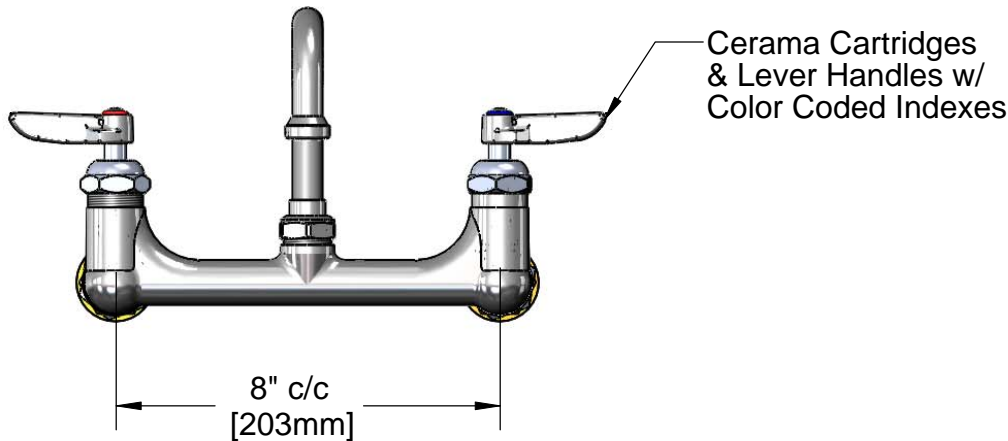
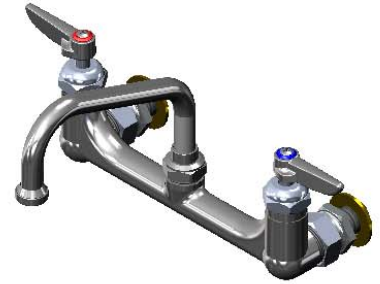
Customer/Wholesaler \_\_\_\_\_

Contractor \_\_\_\_\_

Architect/Engineer \_\_\_\_\_



ADA Compliant



Note: Rough-In Requirements  
(2)  $\phi$  1" [25mm] Mounting Holes

Product Specifications:

8" c/c Double Pantry Faucet w/ Cerama Cartridges, Lever Handles, 6" Swing Nozzle w/ B-PT Stream Regulator Outlet & 1/2" NPT "CC" Male Inlets

Drawn  
KJG

Checked  
DMH

Approved  
JHB

Scale:

1:4

Date:

07/12/10



**T&S BRASS AND BRONZE WORKS, INC.**

2 Saddleback Cove / P.O. Box 1088  
Travelers Rest, SC 29690



REG. #A2601  
ISO #9001

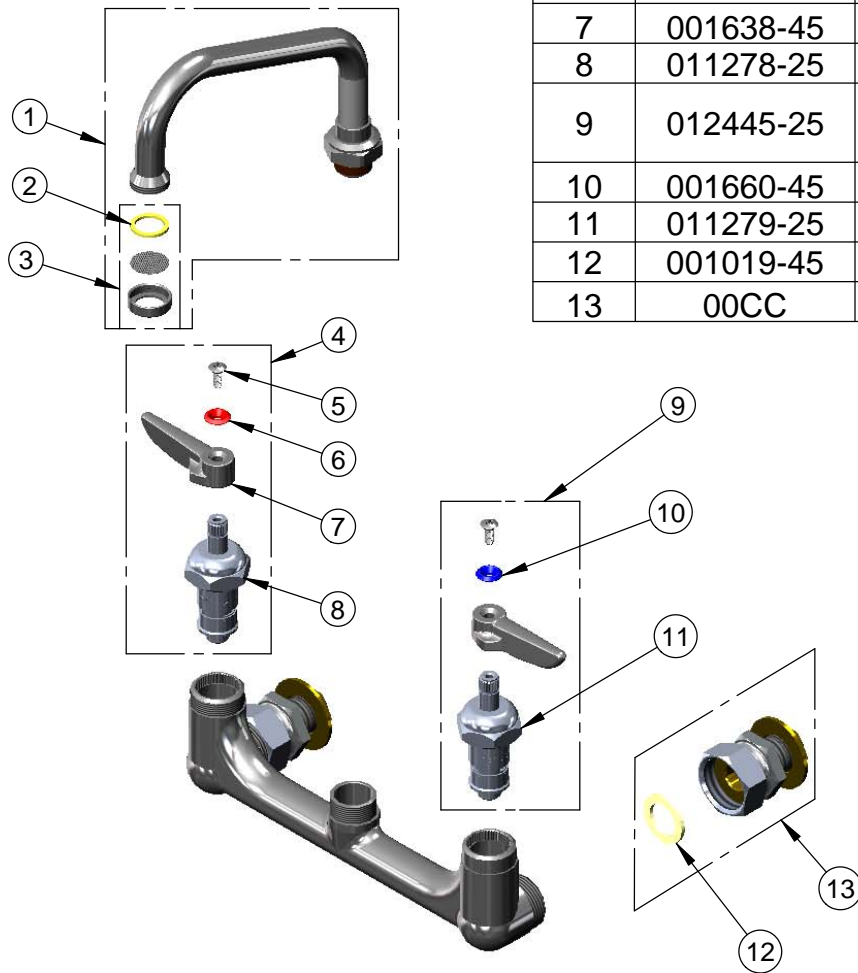
Model No.

**B-0232-CC-CR**

Item No.

Travelers Rest, SC: 800-476-4103 Simi Valley, CA: 800-423-0150 Fax: 864-834-3518 www.tsbrass.com

ITEM NO.	SALES NO.	DESCRIPTION
1	059X	6" Swing Nozzle
2	001048-45	Nozzle Tip Washer
3	B-PT	Stream Regulator Outlet
4	012444-25	Hot Cerama Cartridge w/ Handle, Index & Screw
5	000922-45	Lever Handle Screw
6	001661-45	Red Index-HW
7	001638-45	Lever Handle
8	011278-25	Ceramic Cartridge RTC
9	012445-25	Cold Cerama Cartridge w/ Handle, Index & Screw
10	001660-45	Blue Index-CW
11	011279-25	Ceramic Cartridge LTC
12	001019-45	Coupling Nut Washer
13	00CC	Male Inlet, 1/2" NPT



Product Specifications:

8" c/c Double Pantry Faucet w/ Cerama Cartridges, Lever Handles, 6" Swing Nozzle w/ B-PT Stream Regulator Outlet & 1/2" NPT "CC" Male Inlets

Drawn  
KJG

Checked  
DMH

Approved  
JHB

Scale:

1:4

Date:

07/12/10