



# T&S BRASS AND BRONZE WORKS, INC.

2 Saddleback Cove / P.O. Box 1088  
Travelers Rest, SC 29690



REG. #A2601  
ISO #9001

Model No.

B-0232-CC

Item No.

Travelers Rest, SC: 800-476-4103 Simi Valley, CA: 800-423-0150 Fax: 864-834-3518 www.tsbrass.com

This Space for Architect/Engineer Approval

Job Name \_\_\_\_\_ Date \_\_\_\_\_

Model Specified \_\_\_\_\_ Quantity \_\_\_\_\_

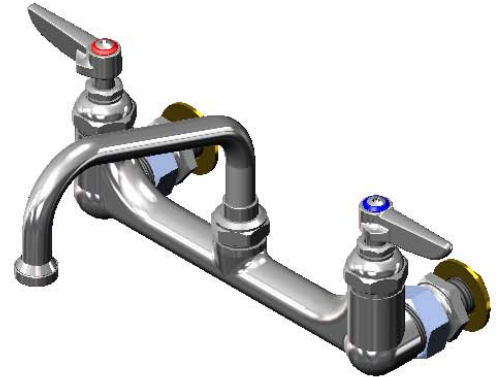
Customer/Wholesaler \_\_\_\_\_

Contractor \_\_\_\_\_

Architect/Engineer \_\_\_\_\_

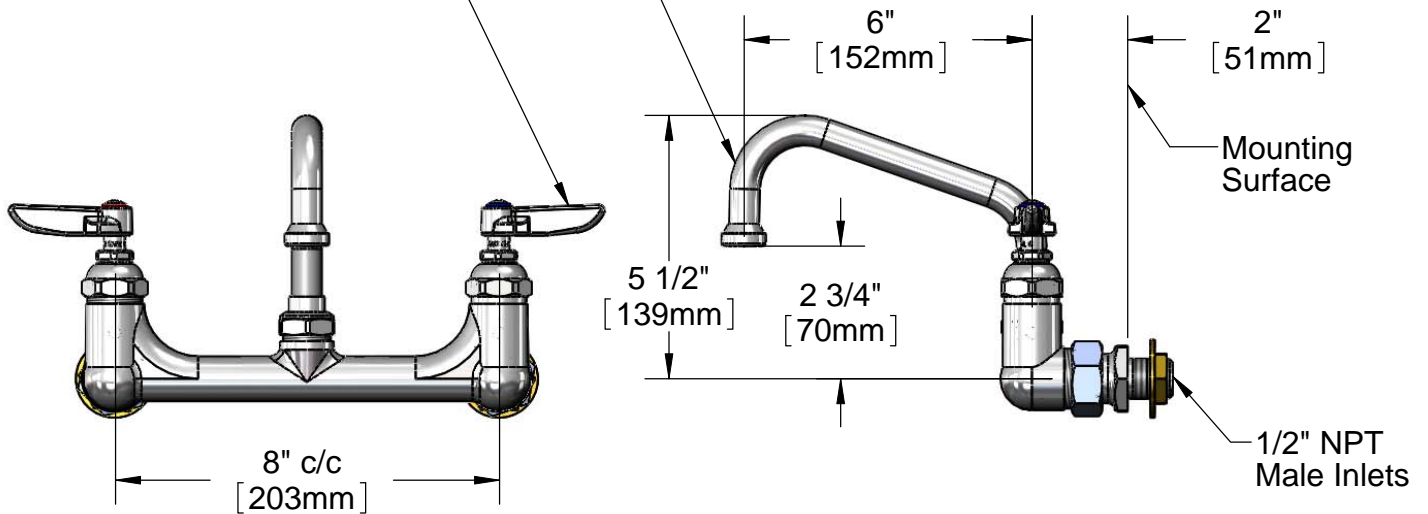


ADA Compliant



059X  
6" Swing Nozzle  
w/ B-PT Stream  
Regulator Outlet

Eterna Cartridges &  
Lever Handles w/  
Color Coded Indexes



**Note: Rough-In Requirement**  
(2) Ø 1" [25mm] Mounting Holes

Product Specifications:

Sink Mixing Faucet w/ Eterna Cartridges, 6" Swing Nozzle  
w/ B-PT Stream Regulator Outlet, Lever Handles & 1/2"  
Male Inlets

Drawn DHL	Checked JRM	Approved JHB
Scale: 1:4		Date: 02/17/11



**T&S BRASS AND BRONZE WORKS, INC.**

2 Saddleback Cove / P.O. Box 1088  
Travelers Rest, SC 29690



REG. #A2601  
ISO #9001

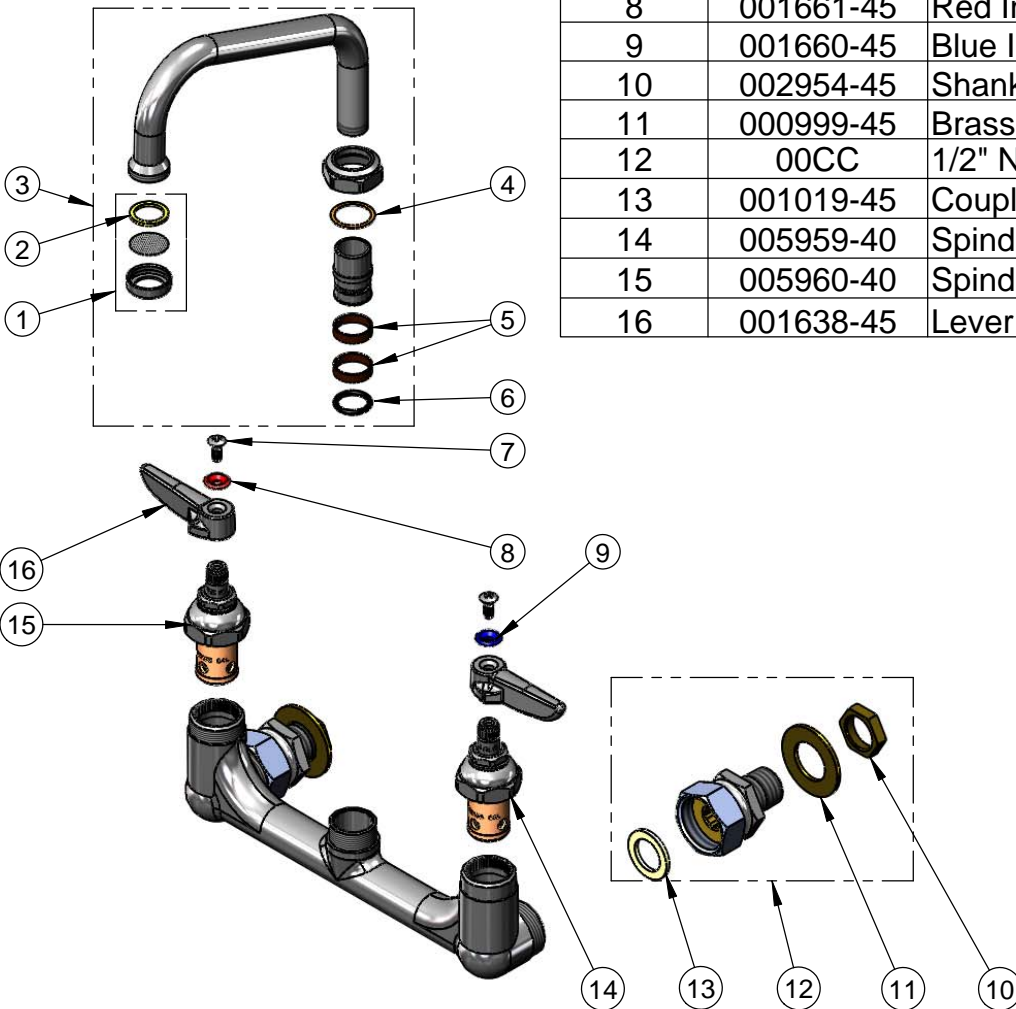
Model No.

**B-0232-CC**

Item No.

Travelers Rest, SC: 800-476-4103 Simi Valley, CA: 800-423-0150 Fax: 864-834-3518 www.tsbrass.com

ITEM NO.	SALES NO.	DESCRIPTION
1	B-PT	Stream Regulator
2	001048-45	Nozzle Tip Washer
3	059X	6" Swivel Nozzle Assembly
4	009538-45	Swivel Washer
5	011429-45	Swivel Sleeve
6	001074-45	O-Ring
7	000922-45	Lever Handle Screw
8	001661-45	Red Index-HW
9	001660-45	Blue Index-CW
10	002954-45	Shank Lock Nut
11	000999-45	Brass Lock Washer
12	00CC	1/2" NPT Male Inlet Assembly
13	001019-45	Coupling Nut Washer
14	005959-40	Spindle Asm. Eterna "Cold"
15	005960-40	Spindle Asm, Eterna "Hot"
16	001638-45	Lever Handle



Product Specifications:

Sink Mixing Faucet w/ Eterna Cartridges, 6" Swing Nozzle w/ B-PT Stream Regulator Outlet, Lever Handles & 1/2" Male Inlets

Drawn <b>DHL</b>	Checked <b>JRM</b>	Approved <b>JHB</b>
Scale: <b>NTS</b>		Date: <b>02/17/11</b>