

T&S BRASS AND BRONZE WORKS, INC.

2 SADDLEBACK COVE / P.O. BOX 1088 / TRAVELERS REST, SC 29690
(803) 834-4102 TELEX 57-0311 FAX (803) 834-3518

Model No.

B-0233-02

Item No.:

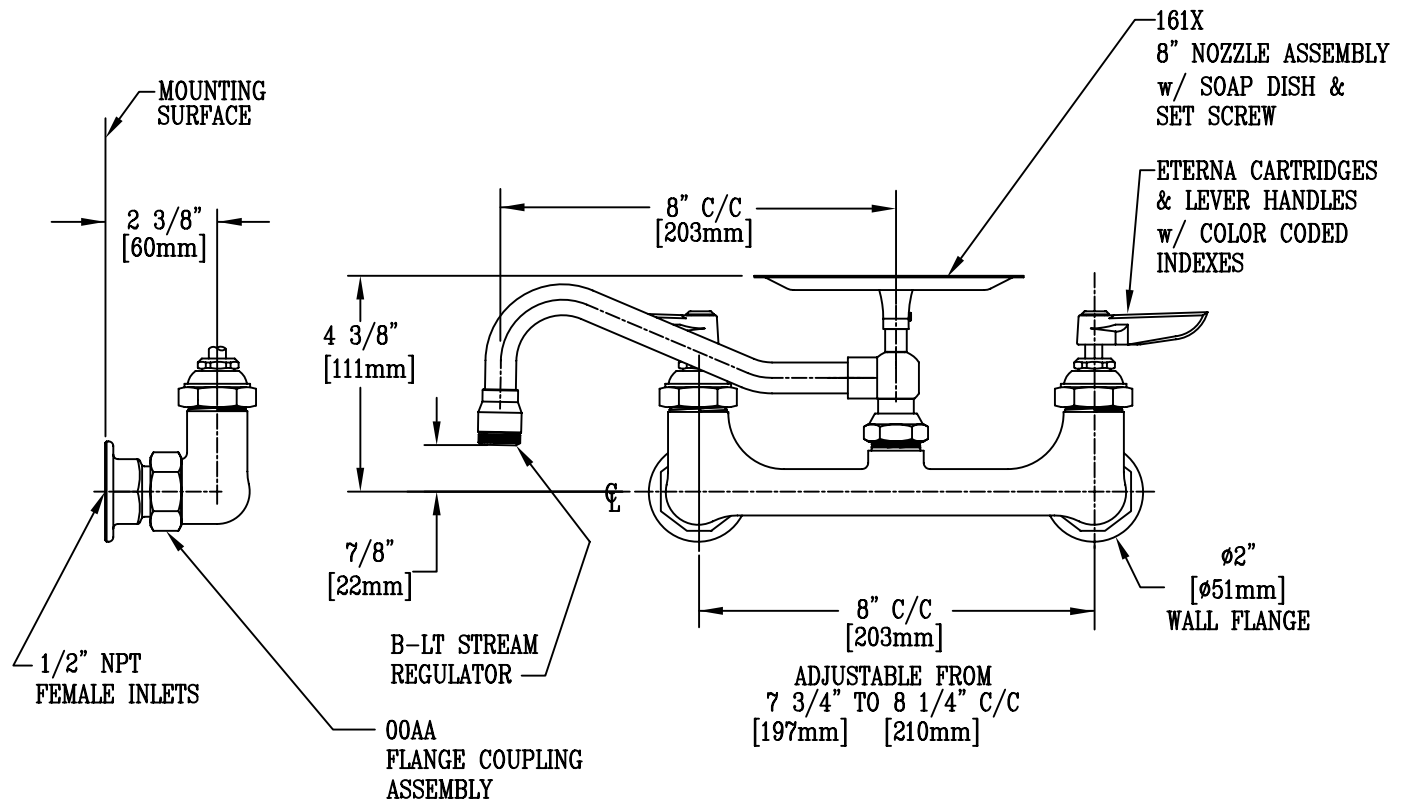
Job Name:

Architect/Engineer Approval:

Notes:



ADA COMPLIANT



NOTES:

1. SOAP DISH TURNS WITH NOZZLE.

Product Description:

8" c/c WALL MOUNT MIXING FAUCET, LEVER HANDLES, 8" NOZZLE ASSEMBLY w/ SOAP DISH ATTACHMENT, B-LT STREAM REGULATOR & 1/2" NPT FEMALE INLETS

Drawn:

KJG

Checked

DHL

Scale:

1:4

Approved

JHB

Date:

10/05/09