



T&S BRASS AND BRONZE WORKS, INC.

2 Saddleback Cove / P.O. Box 1088
Travelers Rest, SC 29690



REG. #A2601
ISO #9001

Model No.

B-0235-01

Item No.

Travelers Rest, SC: 800-476-4103 Simi Valley, CA: 800-423-0150 Fax: 864-834-3518 www.tsbrass.com

This Space for Architect/Engineer Approval

Job Name _____ Date _____

Model Specified _____ Quantity _____

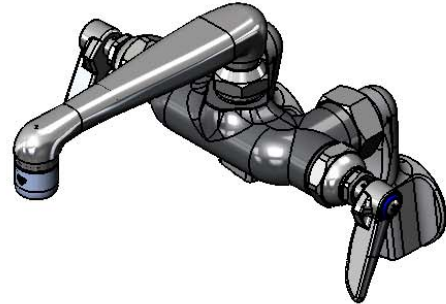
Customer/Wholesaler _____

Contractor _____

Architect/Engineer _____

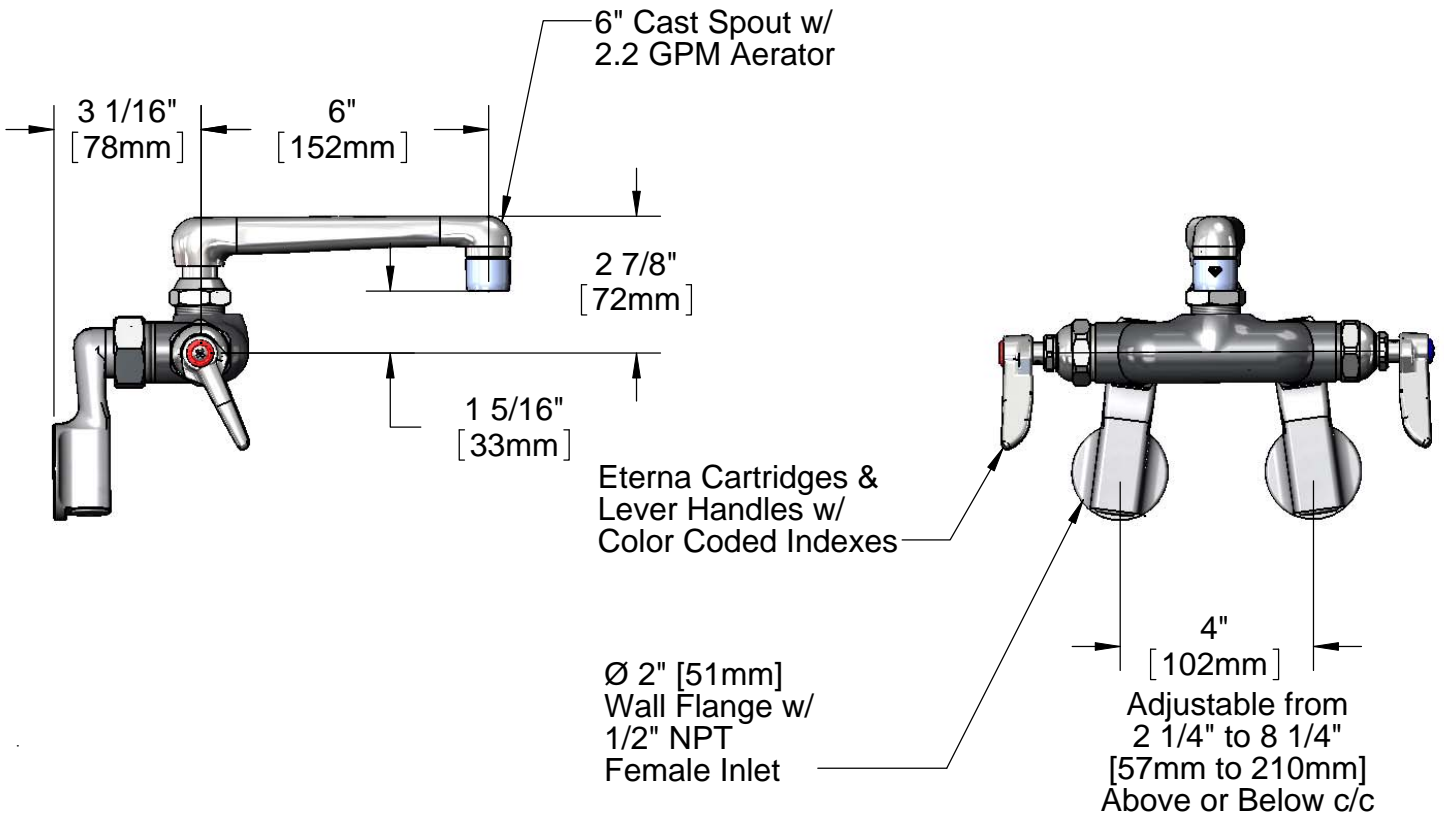


ADA Compliant



Notes:

1. Nozzle Swings 360°
2. Also Available with B-0199-01 Non-Splash Aerator



Note: Rough-In Requirement

(2) Ø 1" [25mm] Mounting Holes

Product Specifications:

Combination Sink Faucet w/ Eterna Cartridges, 6" Cast Spout w/ 2.2 GPM Aerator, Lever Handles & Adjustable Inlets

Drawn
DHL

Checked
JRM

Approved
JHB

Scale:

1:4

Date:

02/17/11



T&S BRASS AND BRONZE WORKS, INC.

2 Saddleback Cove / P.O. Box 1088
Travelers Rest, SC 29690



REG. #A2601
ISO #9001

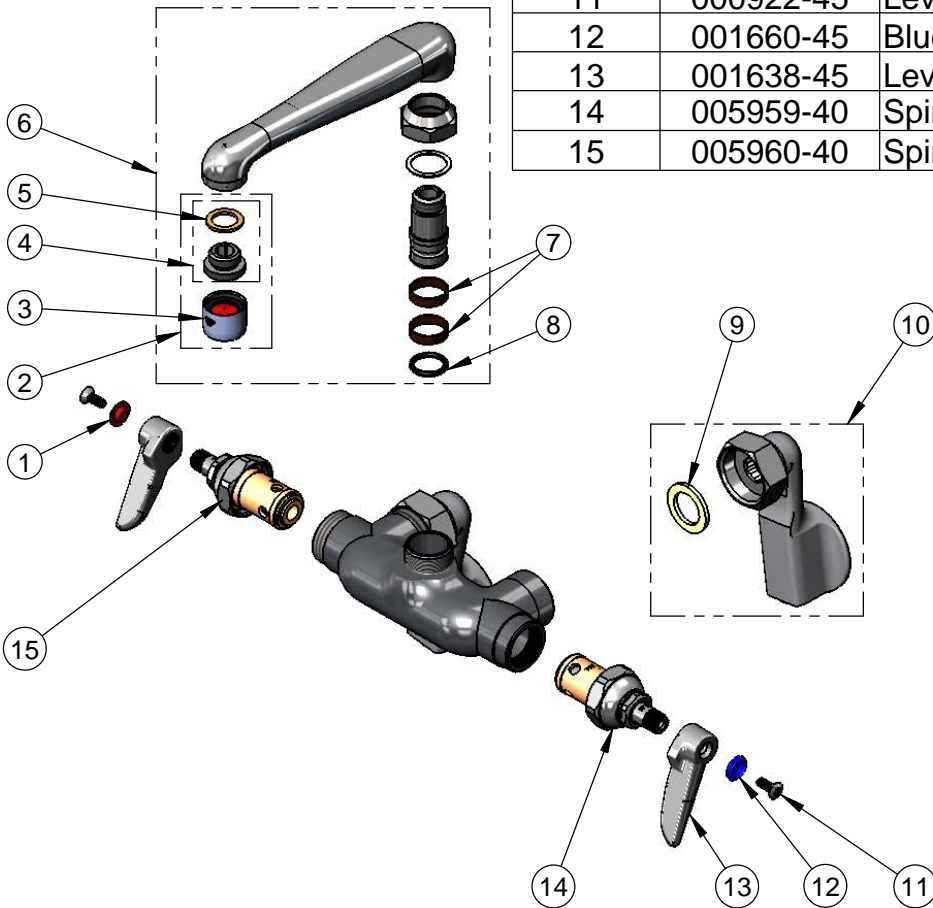
Model No.

B-0235-01

Item No.

Travelers Rest, SC: 800-476-4103 Simi Valley, CA: 800-423-0150 Fax: 864-834-3518 www.tsbrass.com

ITEM NO.	SALES NO.	DESCRIPTION
1	001661-45	Red Index-HW
2	B-0199-02	2.2 GPM Aerator w/ Adapter & Washer
3	B-0199-01	2.2 GPM Aerator, Female
4	044A	Adapter w/ Washer
5	001043-45	Washer
6	0CS6	0CS6 Cast Spout
7	011429-45	Swivel Sleeve
8	001074-45	O-Ring
9	001019-45	Coupling Nut Washer
10	00GG	1/2" NPT Female Adjustable Inlet Assembly
11	000922-45	Lever Handle Screw
12	001660-45	Blue Index-CW
13	001638-45	Lever Handle
14	005959-40	Spindle Asm. Eterna "Cold"
15	005960-40	Spindle Asm, Eterna "Hot"



Product Specifications:

Combination Sink Faucet w/ Eterna Cartridges, 6" Cast Spout
w/ 2.2 GPM Aerator, Lever Handles & Adjustable Inlets

Drawn DHL	Checked JRM	Approved JHB
Scale: NTS		Date: 02/17/11